



A TEREX BRAND

# *Parts Manual*

Serial Number Range

***GR-12***

from GR05-5001 to 19999

***GR-15***

***GR-20***

Part No. 84701

Rev D44

June 2018

---

## Technical Publications

Genie has endeavored to deliver the highest degree of accuracy possible. However, continuous improvement of our products is a Genie policy. Therefore, product specifications are subject to change without notice.

Readers are encouraged to notify Genie of errors and send in suggestions for improvement. All communications will be carefully considered for future printings of this and all other manuals.

---

## Contact Us:

Internet: [www.genielift.com](http://www.genielift.com)  
e-mail: [awp.techpub@terex.com](mailto:awp.techpub@terex.com)

---

## Find a Manual for this Model

Go to <http://www.genielift.com>

Use the links to locate Operator's, Parts, Maintenance, and Service and Repair Manuals.

---

Copyright © 2011 by Terex Corporation

84701 Rev D July 2009  
Second Edition, Fourth Printing

Genie is a registered trademark of Terex South Dakota, Inc. in the USA and many other countries. "GR" and "Runabout" are trademarks of Terex South Dakota, Inc.



MANUFACTURED BY/FABRIQUE PAR:  
 Terex South Dakota, Inc.  
 1825 NE 75th Street  
 Reynolds, WA 98552 USA

**Genie**  
 A TEREX BRAND

Model: GR-15  
 Serial number: GR05-1234  
 Model year: 2005 Manufacture date: 9/1/05  
 ElectroHydr Schematic: 2SD127  
 Power supply voltage/Pneumatic Pressure:  
 28-284 VAC, 60/50 Hz, 800 W  
 Nominal Power: 8.3 hp / 6.2 kW  
 Machine unladen weight: 2,260 lbs / 1,021 kg  
 Max Load: 500 lbs / 227 kg  
 Occupants and Equipment must not exceed:  
 500 lbs / 227 kg  
 Maximum allowable inclination of the chassis:  
 1.5°(Side) 3°(Front) 3°(Rear)  
 Maximum Wind Speed:  
 Indoor: N/A  
 Outdoor: N/A  
 Gradeability: 30%  
 Maximum allowable side force: 49 lbs / 200 N  
 Maximum platform height: 15 ft 2 in / 4.62 m  
 Maximum Travel Height: Full  
 Maximum number of platform occupants: 3  
 Country of manufacture: USA  
 This machine complies with:  
 EN 280  
 SE/3/EC



PN 77172

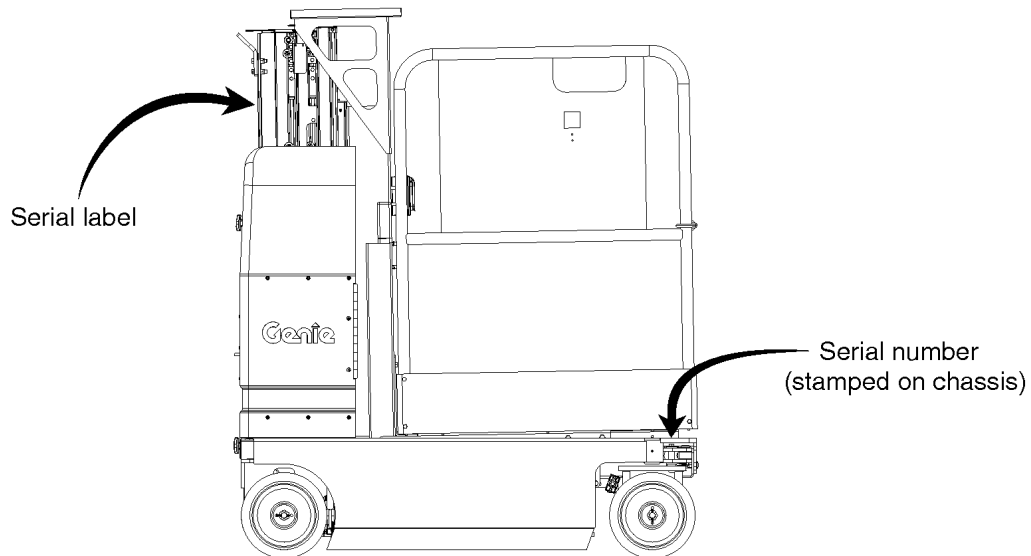
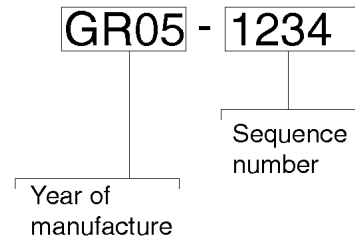



Table of Contents

This manual is updated frequently. If you have a printed manual, you can keep it up to date by downloading new figures from the Genie website at [www.genielift.com](http://www.genielift.com). For the most up-to-date parts information, visit the Parts Lookup System on the Genie website at [www.genielift.com](http://www.genielift.com).

How to Read Your Serial Number.....3  
 Parts Stocking List.....7  
 How to Order Parts.....8  
 Service Parts Fax Order Form.....9

**Electronic Version**  
 Click on any page number to view the figure.

**100 Decals**

101.1 Decals with Words, Standard Platform; ANSI, CSA, Australia (from SN 5001 to 11439).....10  
 101.2 Decals with Words, Standard Platform; ANSI, CSA, Australia (from SN 11440).....12  
 102.1 Decals with Words, Stockpicker Platform; ANSI, CSA (from SN 5001 to 11439).....14  
 102.2 Decals with Words, Stockpicker Platform; ANSI, CSA (from SN 11440).....16  
 103.1 Decals with Symbols, Standard Platform; ANSI, CSA (from SN 5001 to 11439).....18  
 103.2 Decals with Symbols, Standard Platform; ANSI, CSA (from SN 11440).....20  
 104.1 Decals with Symbols, Stockpicker Platform; ANSI, CSA (from SN 5001 to 11439).....22  
 104.2 Decals with Symbols, Stockpicker Platform; ANSI, CSA (from SN 11440).....24  
 105.1 Decals with Symbols, Standard Platform; CE (from SN 5001 to 11439).....26  
 105.2 Decals with Symbols, Standard Platform; CE (from SN 11440).....28  
 106.1 Decals with Symbols, Stockpicker Platform; CE (from SN 5001 to 11439).....30  
 106.2 Decals with Symbols, Stockpicker Platform; CE (from SN 11440).....32

**200 Base Components**

201.1 Steer Axle Linkage and Wheels.....34  
 202.1 Non-steer Axle.....36  
 203.1 Pothole Protection Assembly.....38  
 204.1 Battery Pack and Counterweight Brackets.....40  
 205.1 Ground Control Module Components (to serial number GR08-11439).....42

205.2 Ground Control Module Components (from serial number GR08-11440).....44  
 206.1 Power Unit Components (to serial number GR08-11439).....46  
 206.2 Power Unit Components (from serial number GR08-11440).....48  
 207.1 Battery Charger.....50  
 208.1 Power Cables.....52  
 209.1 Electrical Wiring.....54

**300 Mast Components**

301.1 Number 1 Column Assembly.....56  
 302.1 Number 2 Column Assembly.....60  
 303.1 Number 3 Column Assembly.....62  
 304.1 Number 4 Column Assembly; GR-15, GR-20.....64  
 305.1 Number 5 Column Assembly; GR-20.....66  
 306.1 Carriage Assembly.....68  
 307.1 Lifting Chain Assembly, GR-12.....70  
 308.1 Lifting Chain Assembly, GR-15.....72  
 309.1 Lifting Chain Assembly, GR-20.....74  
 310.1 Sequencing Cable.....76  
 311.1 Mast Covers.....78  
 312.1 Control Cable Assembly, GR-12 (to serial number GR07-9836).....80  
 312.2 Control Cable Assembly; GR-12 (from SN 9837) and GR-20 (from SN 5001).....82  
 313.1 Control Cable Assembly, GR-15.....84  
 314.1 Bellows, CE Models.....86

**400 Hydraulic Components**

401.1 Hydraulic Power Unit and Lift Cylinder.....88  
 402.1 Function Manifold.....90  
 403.1 Brake Release Manifold.....92  
 404.1 Hydraulic Hoses and Fittings.....94

**500 Platform Components**

501.1 Standard Platform (to serial number GR08-12101)....96  
 501.2 Standard Platform (from serial number GR08-12102).....100  
 502.1 Standard Platform (AWP Option).....104  
 503.1 Gate Entry Platform (AWP option).....106  
 504.1 Platform with Extension Deck (to serial number GR07-8575).....108  
 504.2 Platform with Extension Deck (from SN GR07-8576).....112  
 505.1 Platform Extension and Gates (from SN 5001 to 7389).....116  
 505.2 Platform Extension and Gates (from SN 7390).....118  
 506.1 Stockpicker Platform.....120  
 507.1 Fiberglass Platform.....124

508.1 Platform Controls.....126  
509.1 Joystick Controller.....128  
510.1 Platform Overload Assembly.....130

**600 Accessories**

601.1 Workstation Tray, GR-12, GR-15.....132  
602.1 Parcel Tray, GR-12, GR-15.....134  
603.1 Bike Rack.....136  
604.1 Flashing Beacon.....138

**Indices**

Part Number Index.....140  
Part Description Index.....144

**Cross References**

Fittings Cross Reference.....150



### Required Parts

The following parts are required to perform maintenance procedures as outlined in the Genie GR-12, GR-15 and GR-20 Service Manual.

Description	Part No.
Filter Element.....	44788
Resistor, 10 ohm, 25W.....	27287
Dielectric Grease.....	66399
Boe-Lube Silicone Wax.....	90337

### Recommended Parts

Description	Part No.
Genie Blue Paint, 1 Gallon .....	32150
Genie Blue Paint, 12 Ounce Aerosol.....	1484
Genie Gray Paint, 1 Gallon.....	32151
Genie Gray Paint, 12 Ounce Aerosol .....	1268

### Manuals

Genie Industries offers the following support documents for these models:

Title	Part No.
EMI Safety Manual.....	27581
Manual of Responsibilities ANSI A92.6.....	44163

## How to Order Parts

Please be prepared with the following information when ordering replacement parts for your Terex or Genie product.

- Machine model number
- Machine serial number
- Part number
- Part description and quantity
- Purchase order number
- "Ship to" address
- Desired method of shipment
- Name and telephone number of the authorized distributor in your area

Use the Service Parts Fax Order Form on the next page and fax your order to our Parts Department.

If you don't know the name of your authorized distributor, or if your area is not currently serviced by an authorized distributor, please call Terex or Genie Industries.

### Machine Information

---

Model

---

Serial Number

---

Date of Purchase

---

Authorized Genie Distributor

---

Phone Number

#### North America

Telephone (425)881-1800

Toll Free (800)536-1800 in US and Canada

Fax (425)556-8659

Toll Free fax (888)274-6192

Email [AWP.PartsSalesPO@terex.com](mailto:AWP.PartsSalesPO@terex.com)

<http://genielift.com/en>

#### EMEAR (Europe, Middle East, Africa and Russia)

Telephone (31)(165)519 313

Fax (31)(165)511 148

<http://genielift.co.uk>

#### Asia Pacific (Genie Singapore)

Telephone +65 6692 7777

Fax +65 6261 8893

<http://genielift.com.sg/>

#### Australia

Telephone (61)(7)3456 4444

Fax (61)(7)3456 4466

<http://genielift.com.au>

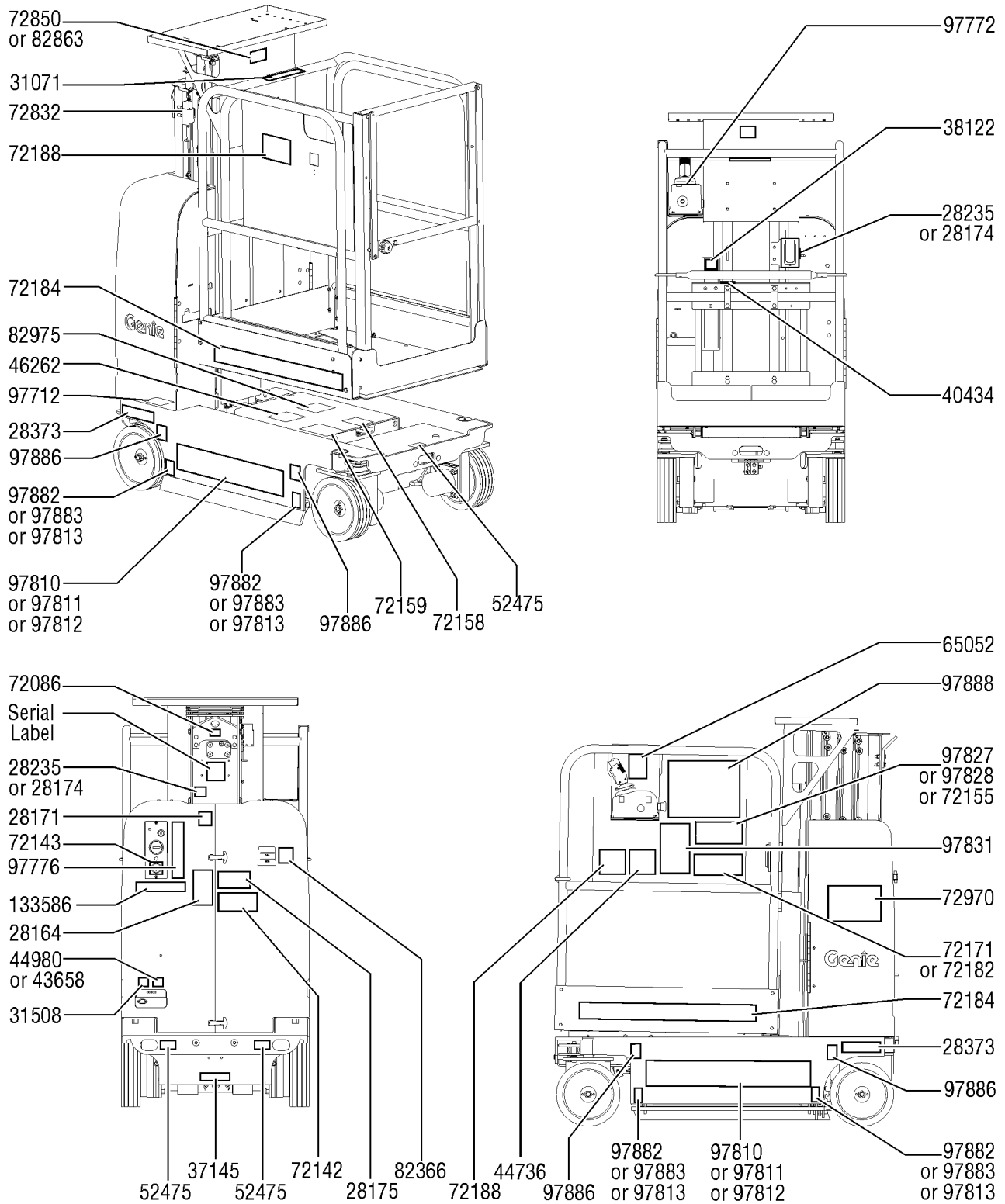
#### South America

Telephone (55)(11)4082 5600

Fax (55)(11)4082 5630



101.1 Decals with Words, Standard Platform; ANSI, CSA, Australia (from SN 5001 to 11439)

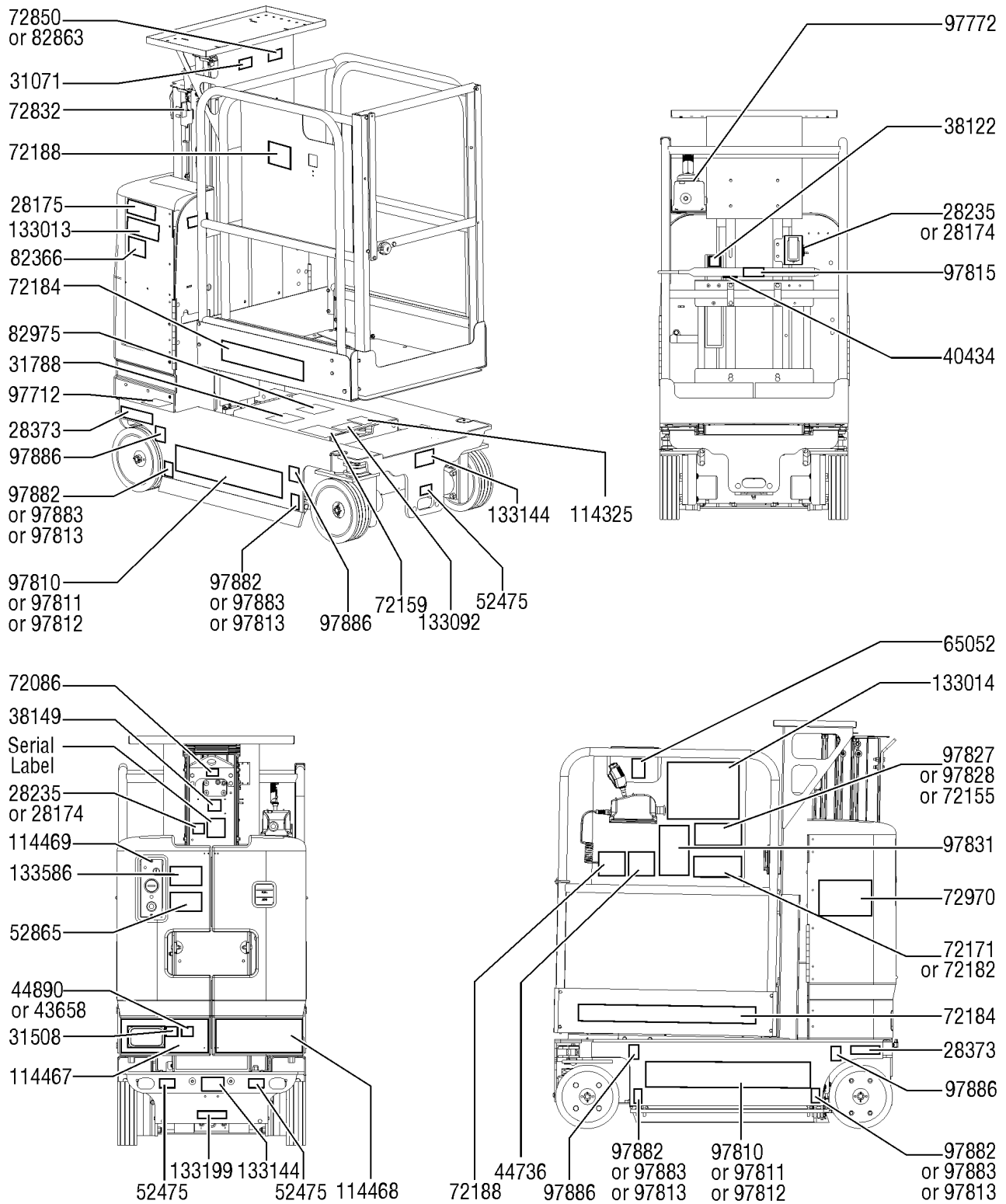


101.1 Decals with Words, Standard Platform; ANSI, CSA, Australia (from SN 5001 to 11439)

Item	Part No.	Description	Qty.	Item	Part No.	Description	Qty.
--	115112GT	DECAL KIT-SAFETY/INSTRU,WRDS <i>(from SN 5001 to 8362)</i>		28	72832GT	DECAL,DANGER,DO NOT ALTER SWTC.....	1
--	107129GT	DECAL KIT-SAFETY/INSTRUC.,WRDS <i>(from SN 8363 to 11439)</i>		29	72850GT	DECAL,DANGER,MAX CAP TRAY,WRD.....	1
1	28164GT	DECAL,NOTICE,HAZARDOUS MAT'LS*.....	1	30	72970GT	DECAL,INSTRUCTIONS-CHARGER OP.....	1
2	28171GT	DECAL,DANGER,NO SMOKING ***.....	1	31	82366GT	DECAL, LABEL - CHEVRON RANDO.....	1
3	28174GT	DECAL, POWER TO PLATFORM 230V**.....	2	32	82863GT	DECAL,DANGER,MAX CAP PARCEL WD.....	1
4	28175GT	DECAL,WARNING-COMPART ACCESS.....	1	33	82975GT	DECAL,DANGER,COLLISION HAZARD.....	1
5	28235GT	DECAL,POWER TO PLATFORM 115V...2				<i>GR-12, GR-15</i>	
6	28373GT	DECAL,FORK LIFT POCKET.....2		34	97712GT	DECAL,DANGER,BRAKE REL SAFETY*.....	1
7	28236GT	DECAL,WARN,IMPROPER OPERATION.....	1	35	97772GT	DECAL,OVERLAY,PLAT CONTROLS***.....	1
7	31071GT	DECAL,WARNING,FAILURE TO READ.....	1	36	97776GT	DECAL,GROUND CONTROL PANEL***.....	1
8	31508GT	DECAL,DANGER,ELECT HAZARD,PLUG.....	1	37	97810GT	DECAL,COSMETIC,GENIE GR-12***.....2	
9	37145GT	DECAL, MANUAL LOWERING VALVE....1		38	97811GT	DECAL,COSMETIC,GENIE GR-15***.....2	
10	38122GT	DECAL,LABEL, OM STORAGE.....1		39	97812GT	DECAL,COSMETIC,GENIE GR-20***.....2	
11	40434GT	DECAL,LANYARD ANCHORAGE POINT.....	1	40	97813GT	DECAL,LABEL,WHEEL LOAD GR20***.....	4
12	43658GT	DECAL,LABEL,PWR TO CHARGR 230V.....	1	41	97827GT	DECAL-NOTICE,MAX CAP-500#,STD*..1 <i>GR-12, GR-15</i>	
13	44736GT	DECAL,DANGER,TIP-OVER,TILT.....1		42	97828GT	DECAL-NOTICE,MAX CAP-350#,STD*..1 <i>GR-20</i>	
14	44980GT	DECAL,LABEL,PWR TO CHARGR 115V.....	1	43	97831GT	OPERATING INST,PLAT,GR***.....	1
15	46262GT	DECAL,DANGER,BATTERY SAFETY.....1		44	97882GT	DECAL,LABEL,WHEEL LOAD GR12***.....	4
16	52475GT	DECAL,LABEL, TRANSPORT TIEDOWN*.....	3	45	97883GT	DECAL,LABEL,WHEEL LOAD GR15***.....	4
17	65052GT	DECAL,LABEL,FAULT CODES.....1		46	97886GT	DECAL,LABEL,TIRE SPECS,GR***.....4	
18	72086GT	DECAL,LABEL,LIFTING EYE.....1		47	97888GT	DECAL,GENERAL SAFETY,RUNABOUT*.....	1
19	72142GT	DECAL,DANGER,ELECTROCUTION,GR.1 <i>ANSI, CSA</i>		48	133586GT	DECAL,INSTRUCTIONS-OPER,GCP.....1	
20	72143GT	DECAL,EMERGENCY STOP,GR.....1 <i>Australia</i>					
21	72155GT	DECAL,MAX CAPACITY (350LB),GR.....1 <i>(models with AWP and fiberglass platform)</i>					
22	72158GT	DECAL,BATTERY CONN DIAG,GR.....1					
23	72159GT	DECAL,TIP-OVER,BATTERIES,GR.....1					
24	72171GT	DECAL,SIDE FORCE,100,GR,ANSI.....1 <i>ANSI, CSA</i>					
25	72182GT	DECAL,SIDE FORCE,GR,CE&AUS,WRD.....1 <i>Australia</i>					
26	72184GT	DECAL,COSMETIC,GENIE RUNABOUT.....	2				
27	72188GT	DECAL,DIRECTIONAL ARROWS,GR...2					



101.2 Decals with Words, Standard Platform; ANSI, CSA, Australia (from SN 11440)

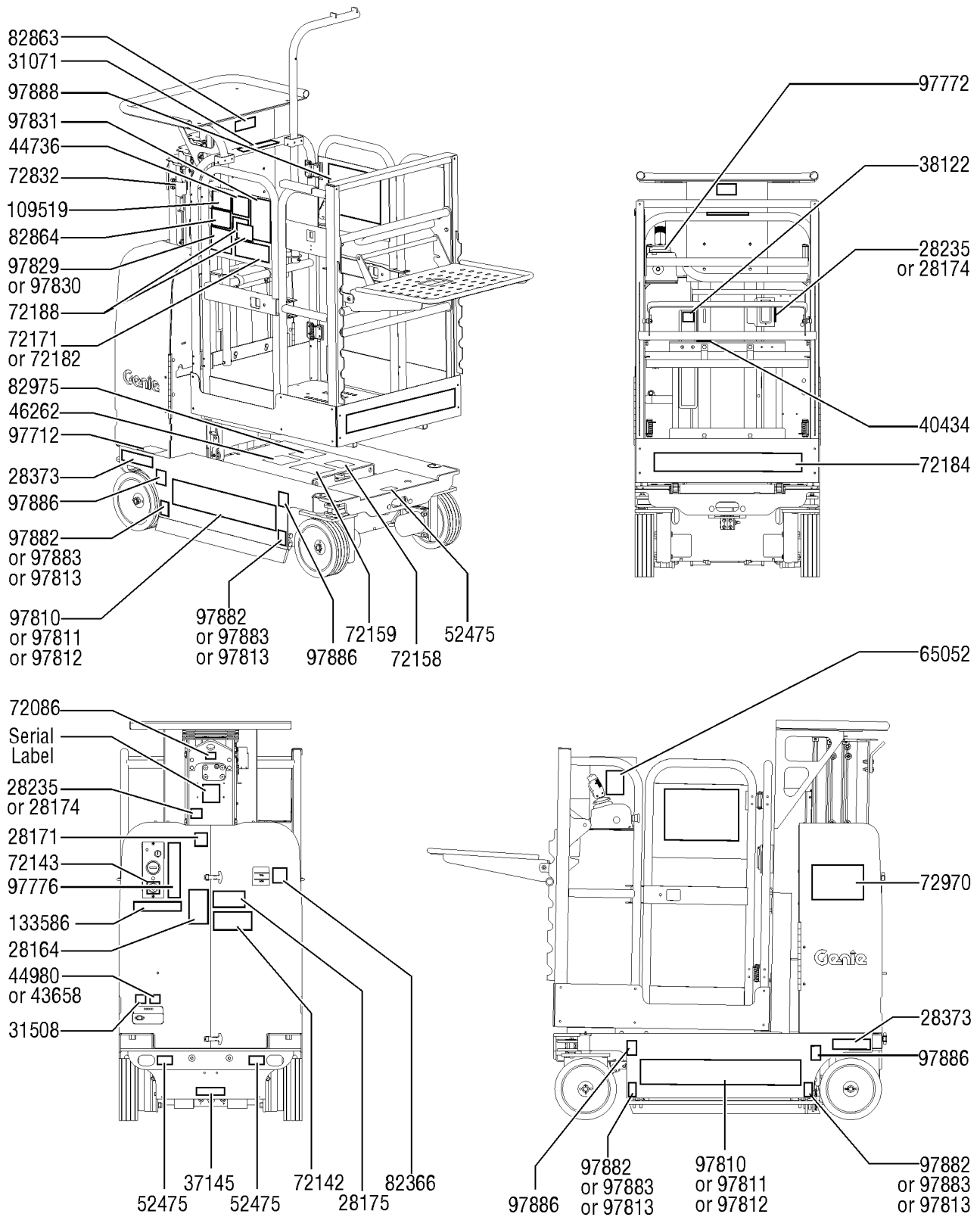


101.2 Decals with Words, Standard Platform; ANSI, CSA, Australia (from SN 11440)

Item	Part No.	Description	Qty.	Item	Part No.	Description	Qty.
--	115413GT	DECAL KIT,SAFETY/INSTR,WORDS <i>(from SN 11440)</i>		28	82863GT	DECAL,DANGER,MAX CAP PARCEL WD.....	1
1	28174GT	DECAL, POWER TO PLATFORM 230V**.....	2	29	82975GT	DECAL,DANGER,COLLISION HAZARD.....	1
2	28175GT	DECAL,WARNING-COMPART ACCESS.....	1	30	97712GT	DECAL,DANGER,BRAKE REL SAFETY*.....	1
3	28235GT	DECAL,POWER TO PLATFORM 115V...2		31	97772GT	DECAL,OVERLAY,PLAT CONTROLS***.....	1
4	28373GT	DECAL,FORK LIFT POCKET.....2		32	97810GT	DECAL,COSMETIC,GENIE GR-12***.....2	
5	28236GT	DECAL,WARN,IMPROPER OPERATION.....	1	33	97811GT	DECAL,COSMETIC,GENIE GR-15***.....2	
5	31071GT	DECAL,WARNING,FAILURE TO READ.....	1	34	97812GT	DECAL,COSMETIC,GENIE GR-20***.....2	
6	31508GT	DECAL,DANGER,ELECT HAZARD,PLUG.....	1	35	97813GT	DECAL,LABEL,WHEEL LOAD GR20***.....	4
7	31788GT	DECAL,DANGER,BATTERY SAFETY***.....	1	36	97815GT	DECAL,LABEL,LOWER MIDRAIL.....1	
8	38122GT	DECAL,LABEL, OM STORAGE.....1		37	97827GT	DECAL-NOTICE,MAX CAP-500#,STD*..1 GR-12, GR-15	
9	38149GT	DECAL,LABEL,PATENTS.....1		38	97828GT	DECAL-NOTICE,MAX CAP-350#,STD*..1 GR-20	
10	40434GT	DECAL,LANYARD ANCHORAGE POINT.....	1	39	97831GT	OPERATING INST,PLAT,GR***.....1	
11	43658GT	DECAL,LABEL,PWR TO CHARGR 230V.....	1	40	97882GT	DECAL,LABEL,WHEEL LOAD GR12***.....	4
12	44736GT	DECAL,DANGER,TIP-OVER,TILT.....1		41	97883GT	DECAL,LABEL,WHEEL LOAD GR15***.....	4
13	44980GT	DECAL,LABEL,PWR TO CHARGR 115V.....	1	42	97886GT	DECAL,LABEL,TIRE SPECS,GR***.....4	
14	52475GT	DECAL,LABEL,TRANSPORT TIEDOWN*.....	3	43	114325GT	DECAL,BATTERY CONN DIAG,GR.....1	
15	52865GT	DECAL,ANNUAL INSP***.....1		44	114467GT	DECAL,GRAY VINYL,RECT SHAPE,CS.....	1
16	65052GT	DECAL,LABEL,FAULT CODES.....1		45	114468GT	DECAL,GRAY VINYL,RECT SHAPE,HS.....	1
17	72086GT	DECAL,LABEL,LIFTING EYE.....1		46	114469GT	DECAL,GROUND CONTROL PANEL***.....	1
18	72155GT	DECAL,MAX CAPACITY (350LB),GR.....1 <i>(models with AWP and fiberglass platform)</i>		47	133013GT	DECAL,DANGER,ELECTROCUTION,GR.1	
19	72159GT	DECAL,TIP-OVER,BATTERIES,GR.....1		48	133014GT	DECAL,GENERAL SAFETY,RUNABOUT*.....	1
20	72171GT	DECAL,SIDE FORCE,100,GR,ANSI.....1 ANSI, CSA		49	133092GT	DECAL,CRUSH HAZARD,USE SAFETY.....	1
21	72182GT	DECAL,SIDE FORCE,GR,CE&AUS,WRD.....1 <i>Australia</i>		50	133144GT	DECAL,LABEL-TRANSPORT DIGRAM.....	2
22	72184GT	DECAL,COSMETIC,GENIE RUNABOUT.....	2	51	133277GT	DECAL,LABEL,EMERGENCY LOWERING.....	1
23	72188GT	DECAL,DIRECTIONAL ARROWS,GR....2		51	133586GT	DECAL,INSTRUCTIONS-OPER,GCP.....1	
24	72832GT	DECAL,DANGER,DO NOT ALTER SWTC.....	1	52	133277GT	DECAL,LABEL,EMERGENCY LOWERING.....	1
25	72850GT	DECAL,DANGER,MAX CAP TRAY,WRD.....1 <i>GR-12, GR-15 with work tray</i>		52	133586GT	DECAL,INSTRUCTIONS-OPER,GCP.....1	
26	72970GT	DECAL,INSTRUCTIONS-CHARGER OP.....	1	53	133144GT	DECAL,LABEL-TRANSPORT DIGRAM.....	1
27	82366GT	DECAL, LABEL - CHEVRON RANDO.....1		54	44980GT	DECAL,LABEL,PWR TO CHARGR 115V.....	1



102.1 Decals with Words, Stockpicker Platform; ANSI, CSA (from SN 5001 to 11439)

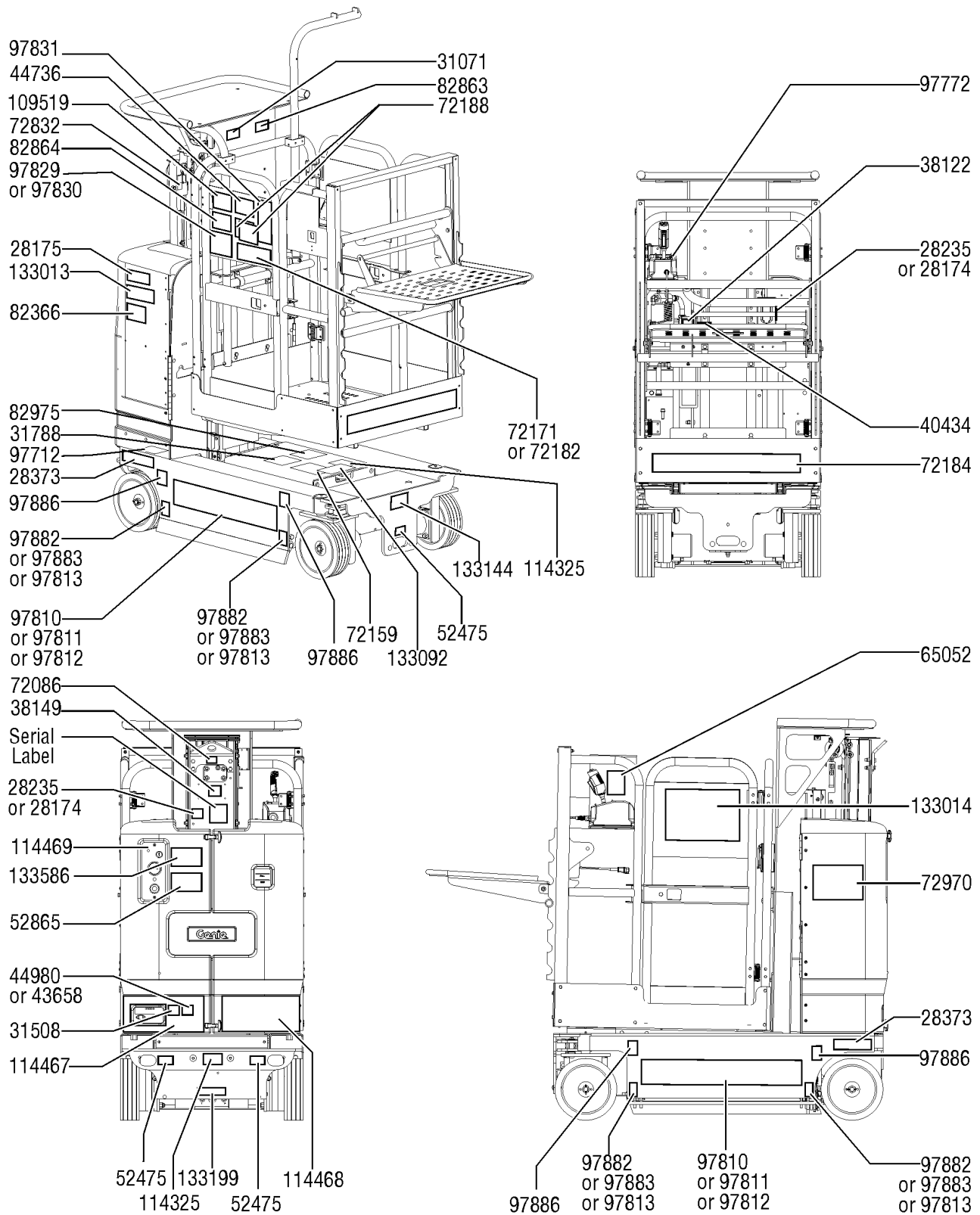


102.1 Decals with Words, Stockpicker Platform; ANSI, CSA (from SN 5001 to 11439)

Item	Part No.	Description	Qty.	Item	Part No.	Description	Qty.
--	115112GT	DECAL KIT-SAFETY/INSTRU,WRDS <i>(from SN 5001 to 8362)</i>		29	82366GT	DECAL, LABEL - CHEVRON RANDO.....1	
--	107129GT	DECAL KIT-SAFETY/INSTRUC.,WRDS <i>(from SN 8363 to 11439)</i>		30	82863GT	DECAL,DANGER,MAX CAP PARCEL WD.....1 <i>GR-12, GR-15 with parcel tray</i>	
1	28164GT	DECAL,NOTICE,HAZARDOUS MAT'LS*.....1		31	82864GT	DECAL,DANGER,MAX CAP BIKE RACK.....1	
2	28171GT	DECAL,DANGER,NO SMOKING ***.....1		32	82975GT	DECAL,DANGER,COLLISION HAZARD.....1	
3	28174GT	DECAL, POWER TO PLATFORM 230V**.....2		33	97712GT	DECAL,DANGER,BRAKE REL SAFETY*.....1	
4	28175GT	DECAL,WARNING-COMPART ACCESS.....1		34	97772GT	DECAL,OVERLAY,PLAT CONTROLS***.....1	
5	28235GT	DECAL,POWER TO PLATFORM 115V...2		35	97776GT	DECAL,GROUND CONTROL PANEL***.....1	
6	28373GT	DECAL,FORK LIFT POCKET.....2		36	97810GT	DECAL,COSMETIC,GENIE GR-12***.....2	
7	28236GT	DECAL,WARN,IMPROPER OPERATION.....1		37	97811GT	DECAL,COSMETIC,GENIE GR-15***.....2	
7	31071GT	DECAL,WARNING,FAILURE TO READ.....1		38	97812GT	DECAL,COSMETIC,GENIE GR-20***.....2	
8	31508GT	DECAL,DANGER,ELECT HAZARD,PLUG.....1		39	97813GT	DECAL,LABEL,WHEEL LOAD GR20***.....4	
9	37145GT	DECAL, MANUAL LOWERING VALVE....1		40	97829GT	DECAL-NOTICE,MAX CAP 500# SP**....1 <i>GR-12, GR-15</i>	
10	38122GT	DECAL,LABEL, OM STORAGE.....1		41	97830GT	DECAL-NOTICE,MAX CAP-350#,SP**...1 <i>GR-20</i>	
11	40434GT	DECAL,LANYARD ANCHORAGE POINT.....1		42	97831GT	OPERATING INST,PLAT,GR***.....1	
12	43658GT	DECAL,LABEL,PWR TO CHARGR 230V.....1		43	97882GT	DECAL,LABEL,WHEEL LOAD GR12***.....4	
13	44736GT	DECAL,DANGER,TIP-OVER,TILT.....1		44	97883GT	DECAL,LABEL,WHEEL LOAD GR15***.....4	
14	44980GT	DECAL,LABEL,PWR TO CHARGR 115V.....1		45	97886GT	DECAL,LABEL,TIRE SPECS,GR***.....4	
15	46262GT	DECAL,DANGER,BATTERY SAFETY.....1		46	97888GT	DECAL,GENERAL SAFETY,RUNABOUT*.....1	
16	52475GT	DECAL,LABEL,TRANSPORT TIEDOWN*.....3		47	109519GT	DECAL,DANGER,MAX CAP ADJ TRAY*.....1 <i>models with work tray</i>	
17	65052GT	DECAL,LABEL,FAULT CODES.....1		48	133586GT	DECAL,INSTRUCTIONS-OPER,GCP.....1	
18	72086GT	DECAL,LABEL,LIFTING EYE.....1					
19	72142GT	DECAL,DANGER,ELECTROCUTION,GR.1					
20	72143GT	DECAL,EMERGENCY STOP,GR.....1					
21	72158GT	DECAL,BATTERY CONN DIAG,GR.....1					
22	72159GT	DECAL,TIP-OVER,BATTERIES,GR.....1					
23	72171GT	DECAL,SIDE FORCE,100,GR,ANSI.....1 <i>ANSI, CSA</i>					
24	72182GT	DECAL,SIDE FORCE,GR,CE&AUS,WRD.....1 <i>Australia</i>					
25	72184GT	DECAL,COSMETIC,GENIE RUNABOUT.....1					
26	72188GT	DECAL,DIRECTIONAL ARROWS,GR...2					
27	72832GT	DECAL,DANGER,DO NOT ALTER SWTC.....1					
28	72970GT	DECAL,INSTRUCTIONS-CHARGER OP.....1					



102.2 Decals with Words, Stockpicker Platform; ANSI, CSA (from SN 11440)

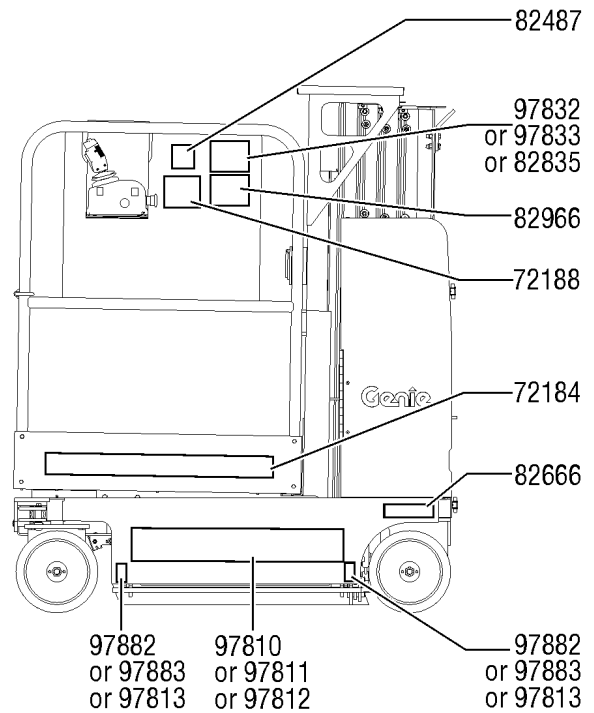
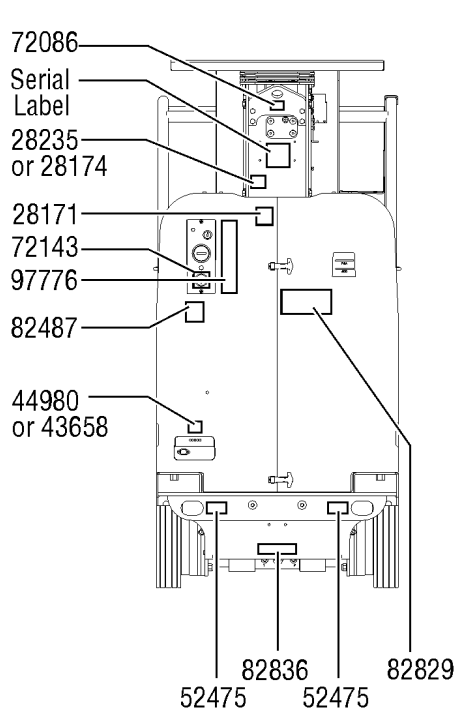
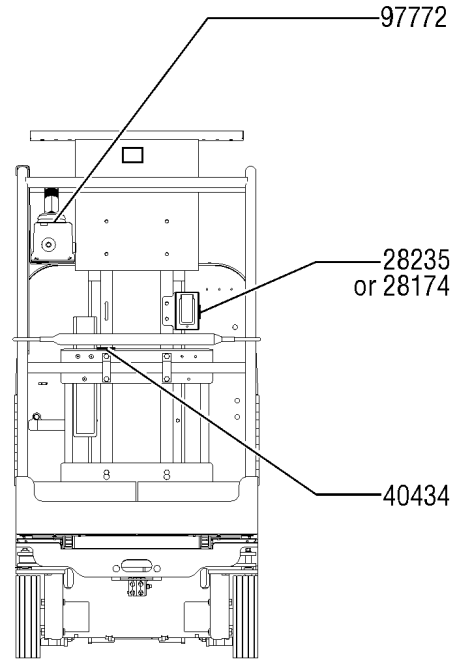
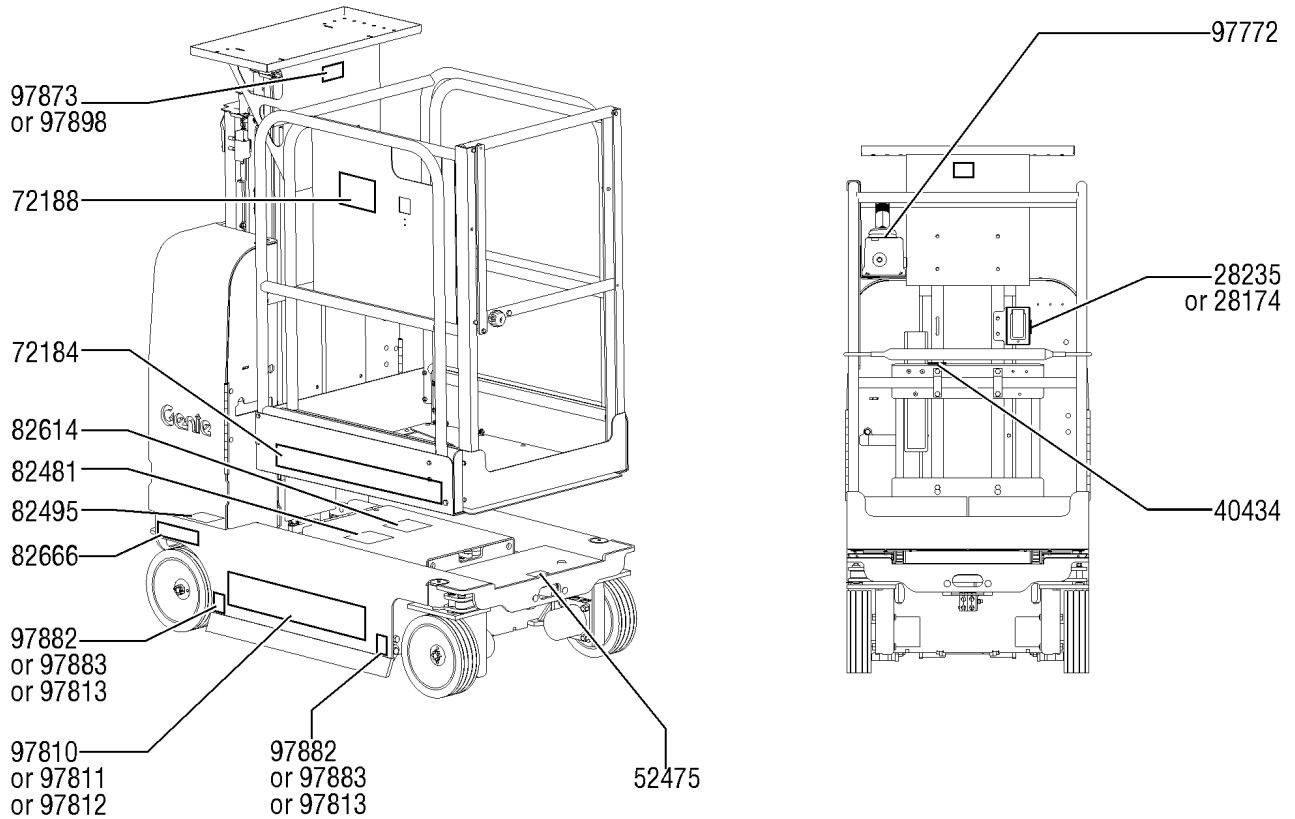


102.2 Decals with Words, Stockpicker Platform; ANSI, CSA (from SN 11440)

Item	Part No.	Description	Qty.	Item	Part No.	Description	Qty.
--	115413GT	DECAL KIT,SAFETY/INSTR,WORDS <i>(from SN 11440)</i>		28	82975GT	DECAL,DANGER,COLLISION HAZARD.....	1
1	28174GT	DECAL, POWER TO PLATFORM 230V**.....	2	29	97712GT	DECAL,DANGER,BRAKE REL SAFETY*.....	1
2	28175GT	DECAL,WARNING-COMPART ACCESS.....	1	30	97772GT	DECAL,OVERLAY,PLAT CONTROLS***.....	1
3	28235GT	DECAL,POWER TO PLATFORM 115V...2		31	97810GT	DECAL,COSMETIC,GENIE GR-12***.....2	
4	28373GT	DECAL,FORK LIFT POCKET.....2		32	97811GT	DECAL,COSMETIC,GENIE GR-15***.....2	
5	28236GT	DECAL,WARN,IMPROPER OPERATION.....	1	33	97812GT	DECAL,COSMETIC,GENIE GR-20***.....2	
5	31071GT	DECAL,WARNING,FAILURE TO READ.....	1	34	97813GT	DECAL,LABEL,WHEEL LOAD GR20***.....	4
6	31508GT	DECAL,DANGER,ELECT HAZARD,PLUG.....	1	35	97815GT	DECAL,LABEL,LOWER MIDRAIL.....1	
7	31788GT	DECAL,DANGER,BATTERY SAFETY***.....	1	36	97829GT	DECAL-NOTICE,MAX CAP 500# SP**...1 <i>GR-12, GR-15</i>	
8	38122GT	DECAL,LABEL, OM STORAGE.....1		37	97830GT	DECAL-NOTICE,MAX CAP-350#,SP**...1 <i>GR-20</i>	
9	38149GT	DECAL,LABEL,PATENTS.....1		38	97831GT	OPERATING INST,PLAT,GR***.....1	
10	40434GT	DECAL,LANYARD ANCHORAGE POINT.....	1	39	97882GT	DECAL,LABEL,WHEEL LOAD GR12***.....	4
11	43658GT	DECAL,LABEL,PWR TO CHARGR 230V.....	1	40	97883GT	DECAL,LABEL,WHEEL LOAD GR15***.....	4
12	44736GT	DECAL,DANGER,TIP-OVER,TILT.....1		41	97886GT	DECAL,LABEL,TIRE SPECS,GR***.....4	
13	44980GT	DECAL,LABEL,PWR TO CHARGR 115V.....	1	42	109519GT	DECAL,DANGER,MAX CAP ADJ TRAY*.....	1
14	52475GT	DECAL,LABEL,TRANSPORT TIEDOWN*.....	3	43	114325GT	DECAL,BATTERY CONN DIAG,GR.....1	
15	52865GT	DECAL,ANNUAL INSP***.....1		44	114467GT	DECAL,GRAY VINYL,RECT SHAPE,CS.....	1
16	65052GT	DECAL,LABEL,FAULT CODES.....1		45	114468GT	DECAL,GRAY VINYL,RECT SHAPE,HS.....	1
17	72086GT	DECAL,LABEL,LIFTING EYE.....1		46	114469GT	DECAL,GROUND CONTROL PANEL***.....	1
18	72159GT	DECAL,TIP-OVER,BATTERIES,GR.....1		47	133013GT	DECAL,DANGER,ELECTROCUTION,GR.1	
19	72171GT	DECAL,SIDE FORCE,100,GR,ANSI.....1 <i>ANSI, CSA</i>		48	133014GT	DECAL,GENERAL SAFETY,RUNABOUT*.....	1
20	72182GT	DECAL,SIDE FORCE,GR,CE&AUS,WRD.....1 <i>Australia</i>		49	133092GT	DECAL,CRUSH HAZARD,USE SAFETY.....	1
21	72184GT	DECAL,COSMETIC,GENIE RUNABOUT.....	1	50	133144GT	DECAL,LABEL-TRANSPORT DIGRAM.....	2
22	72188GT	DECAL,DIRECTIONAL ARROWS,GR...2		51	133277GT	DECAL,LABEL,EMERGENCY LOWERING.....	1
23	72832GT	DECAL,DANGER,DO NOT ALTER SWTC.....	1	52	133586GT	DECAL,INSTRUCTIONS-OPER,GCP.....1	
24	72970GT	DECAL,INSTRUCTIONS-CHARGER OP.....	1				
25	82366GT	DECAL, LABEL - CHEVRON RANDO....1					
26	82863GT	DECAL,DANGER,MAX CAP PARCEL WD.....	1				
27	82864GT	DECAL,DANGER,MAX CAP BIKE RACK.....	1				



103.1 Decals with Symbols, Standard Platform; ANSI, CSA (from SN 5001 to 11439)

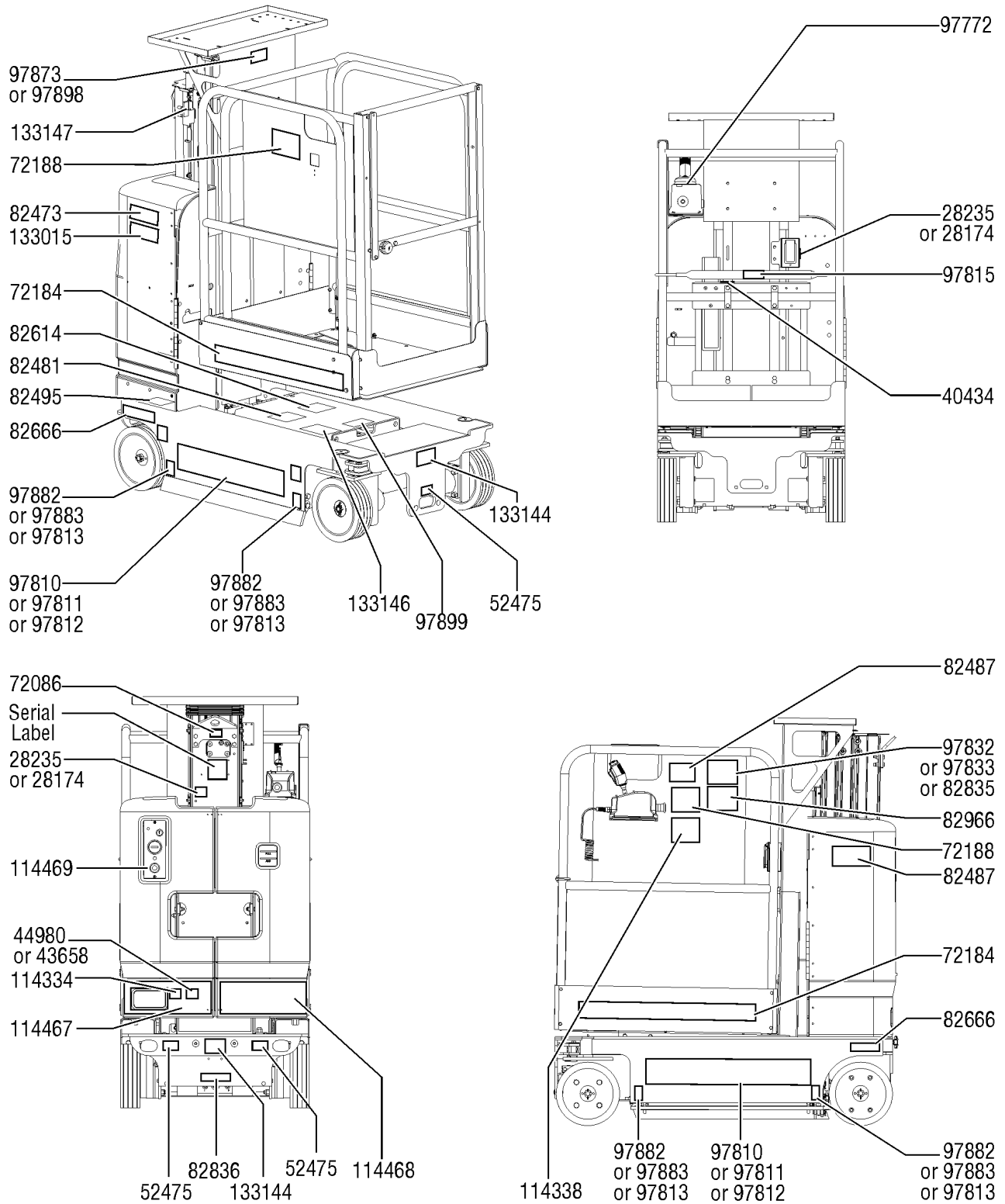


103.1 Decals with Symbols, Standard Platform; ANSI, CSA (from SN 5001 to 11439)

Item	Part No.	Description	Qty.	Item	Part No.	Description	Qty.
--	107130GT	DECAL KIT-SAFETY/INST.,SYMBOLS <i>(from SN 5001 to 11439)</i>		29	97873GT	DECAL-DANGER,MAX CAP-TRAY,SYM*.....1 <i>GR-12, GR-15 with work tray</i>	1
1	28171GT	DECAL,DANGER,NO SMOKING ***.....1	1	30	97882GT	DECAL,LABEL,WHEEL LOAD GR12***.....4	4
2	28174GT	DECAL, POWER TO PLATFORM 230V**.....2	2	31	97883GT	DECAL,LABEL,WHEEL LOAD GR15***.....4	4
3	28235GT	DECAL,POWER TO PLATFORM 115V...2	2	32	97898GT	DECAL-DANGER,MAX CAP-PARCEL SY.....1 <i>GR-12, GR-15 with parcel tray</i>	1
4	40434GT	DECAL,LANYARD ANCHORAGE POINT.....1	1				
5	43658GT	DECAL,LABEL,PWR TO CHARGR 230V.....1	1				
6	44980GT	DECAL,LABEL,PWR TO CHARGR 115V.....1	1				
7	52475GT	DECAL,LABEL,TRANSPORT TIEDOWN*.....3	3				
8	72086GT	DECAL,LABEL,LIFTING EYE.....1	1				
9	72143GT	DECAL,EMERGENCY STOP,GR.....1	1				
10	72184GT	DECAL,COSMETIC,GENIE RUNABOUT.....2	2				
11	72188GT	DECAL,DIRECTIONAL ARROWS,GR...2	2				
12	82481GT	DECAL,SYMBOL-BATTERY SAFETY.....1	1				
13	82487GT	DECAL, SYMBOL - READ THE MANUAL.....2	2				
14	82495GT	DECAL,SYMBOL-BRAKE REL SAFETY.....1	1				
15	82614GT	DECAL,DANGER,COLLISION HAZARD.....1	1				
16	82666GT	DECAL,LABEL,FORKLIFT POCKET.....2	2				
17	82829GT	DECAL,DANGER,ELEC.HAZ SYMB.....1	1				
18	82835GT	DECAL,DANGR,159 KG CAP,STD PLT.....1 <i>(models with AWP and fiberglass platform)</i>	1				
19	82836GT	LABEL,AUXILIARY LOWERING.....1	1				
20	82966GT	DECAL,SIDE FORCE,GR - ANSI,SYM...1	1				
21	97772GT	DECAL,OVERLAY,PLAT CONTROLS***.....1	1				
22	97776GT	DECAL,GROUND CONTROL PANEL***.....1	1				
23	97810GT	DECAL,COSMETIC,GENIE GR-12***.....2	2				
24	97811GT	DECAL,COSMETIC,GENIE GR-15***.....2	2				
25	97812GT	DECAL,COSMETIC,GENIE GR-20***.....2	2				
26	97813GT	DECAL,LABEL,WHEEL LOAD GR20***.....4	4				
27	97832GT	DECAL-DANGER,MAX CAP-227 KG***.....1 <i>GR-12, GR-15</i>	1				
28	97833GT	DECAL-DANGER,MAX CAP-159 KG***.....1 <i>GR-20</i>	1				



103.2 Decals with Symbols, Standard Platform; ANSI, CSA (from SN 11440)

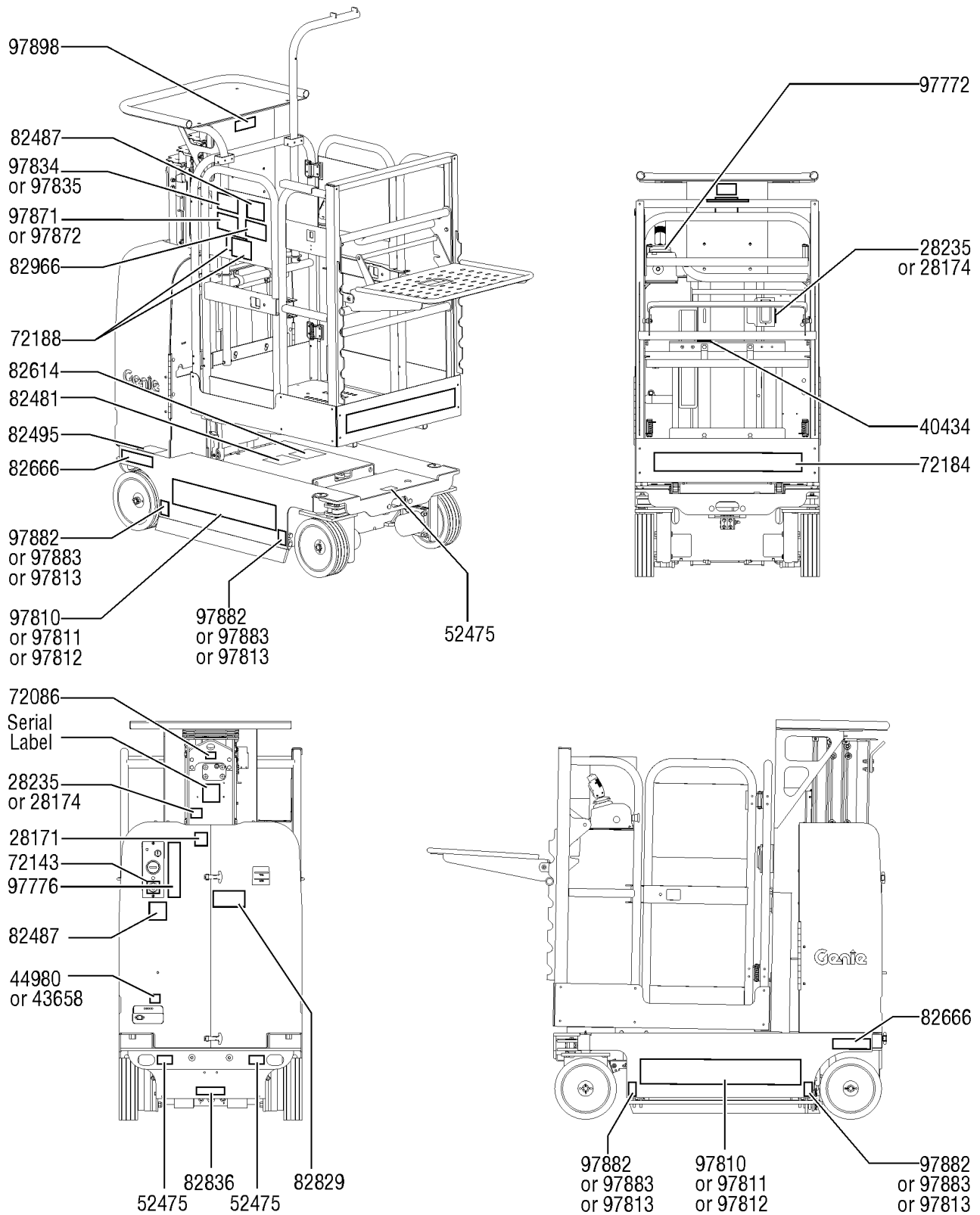


103.2 Decals with Symbols, Standard Platform; ANSI, CSA (from SN 11440)

Item	Part No.	Description	Qty.	Item	Part No.	Description	Qty.
--	115414GT	DECAL KIT,SAFETY/INSTR,SYM (from SN 11440)		28	97882GT	DECAL,LABEL,WHEEL LOAD GR12***.....	4
1	28174GT	DECAL, POWER TO PLATFORM 230V**.....	2	29	97883GT	DECAL,LABEL,WHEEL LOAD GR15***.....	4
2	28235GT	DECAL,POWER TO PLATFORM 115V...2		30	97898GT	DECAL-DANGER,MAX CAP-PARCEL SY.....	1
3	40434GT	DECAL,LANYARD ANCHORAGE POINT.....	1			GR-12, GR-15 with parcel tray	
4	43658GT	DECAL,LABEL,PWR TO CHARGR 230V.....	1	31	97899GT	DECAL,WARN,SAFETY CHOCK***.....	1
5	44980GT	DECAL,LABEL,PWR TO CHARGR 115V.....	1	32	114334GT	DECAL,SYM-ELEC HAZARD,PLUG.....	1
6	52475GT	DECAL,LABEL,TRANSPORT TIEDOWN*.....	3	33	114338GT	DECAL,SYM-TIP-OVER,TILT ALARM.....	1
7	72086GT	DECAL,LABEL,LIFTING EYE.....	1	34	114467GT	DECAL,GRAY VINYL,RECT SHAPE,CS.....	1
8	72184GT	DECAL,COSMETIC,GENIE RUNABOUT.....	2	35	114468GT	DECAL,GRAY VINYL,RECT SHAPE,HS.....	1
9	72188GT	DECAL,DIRECTIONAL ARROWS,GR...2		36	114469GT	DECAL,GROUND CONTROL PANEL ***.....	1
10	82473GT	DECAL,SYMBOL-COMP ACCESS.....	1	37	133015GT	DECAL,DANGER,ELEC.HAZ SYMB.....	1
11	82481GT	DECAL,SYMBOL-BATTERY SAFETY.....	1	38	133144GT	DECAL,LABEL-TRANSPORT DIGRAM.....	2
12	82487GT	DECAL, SYMBOL - READ THE MANUAL.....	2	39	133146GT	DECAL,SYM-TIPOVER,BATTERIES,GR.1	
13	82495GT	DECAL,SYMBOL-BRAKE REL SAFETY.....	1	40	133147GT	DECAL,SYM-TIPOVER,LIMIT SWITCH.....	1
14	82614GT	DECAL,DANGER,COLLISION HAZARD.....	1				
15	82666GT	DECAL,LABEL,FORKLIFT POCKET.....	2				
16	82835GT	DECAL,DANGR,159 KG CAP,STD PLT.....	1				
		(models with AWP and fiberglass platform)					
17	82836GT	LABEL,AUXILIARY LOWERING.....	1				
18	82966GT	DECAL,SIDE FORCE,GR - ANSI,SYM...1					
19	97772GT	DECAL,OVERLAY,PLAT CONTROLS***.....	1				
20	97810GT	DECAL,COSMETIC,GENIE GR-12***.....	2				
21	97811GT	DECAL,COSMETIC,GENIE GR-15***.....	2				
22	97812GT	DECAL,COSMETIC,GENIE GR-20***.....	2				
23	97813GT	DECAL,LABEL,WHEEL LOAD GR20***.....	4				
24	97815GT	DECAL,LABEL,LOWER MIDRAIL.....	6				
25	97832GT	DECAL-DANGER,MAX CAP-227 KG***.....	1				
		GR-12, GR-15					
26	97833GT	DECAL-DANGER,MAX CAP-159 KG***.....	1				
		GR-20					
27	97873GT	DECAL-DANGER,MAX CAP-TRAY,SYM*.....	1				
		GR-12, GR-15 with work tray					



104.1 Decals with Symbols, Stockpicker Platform; ANSI, CSA (from SN 5001 to 11439)

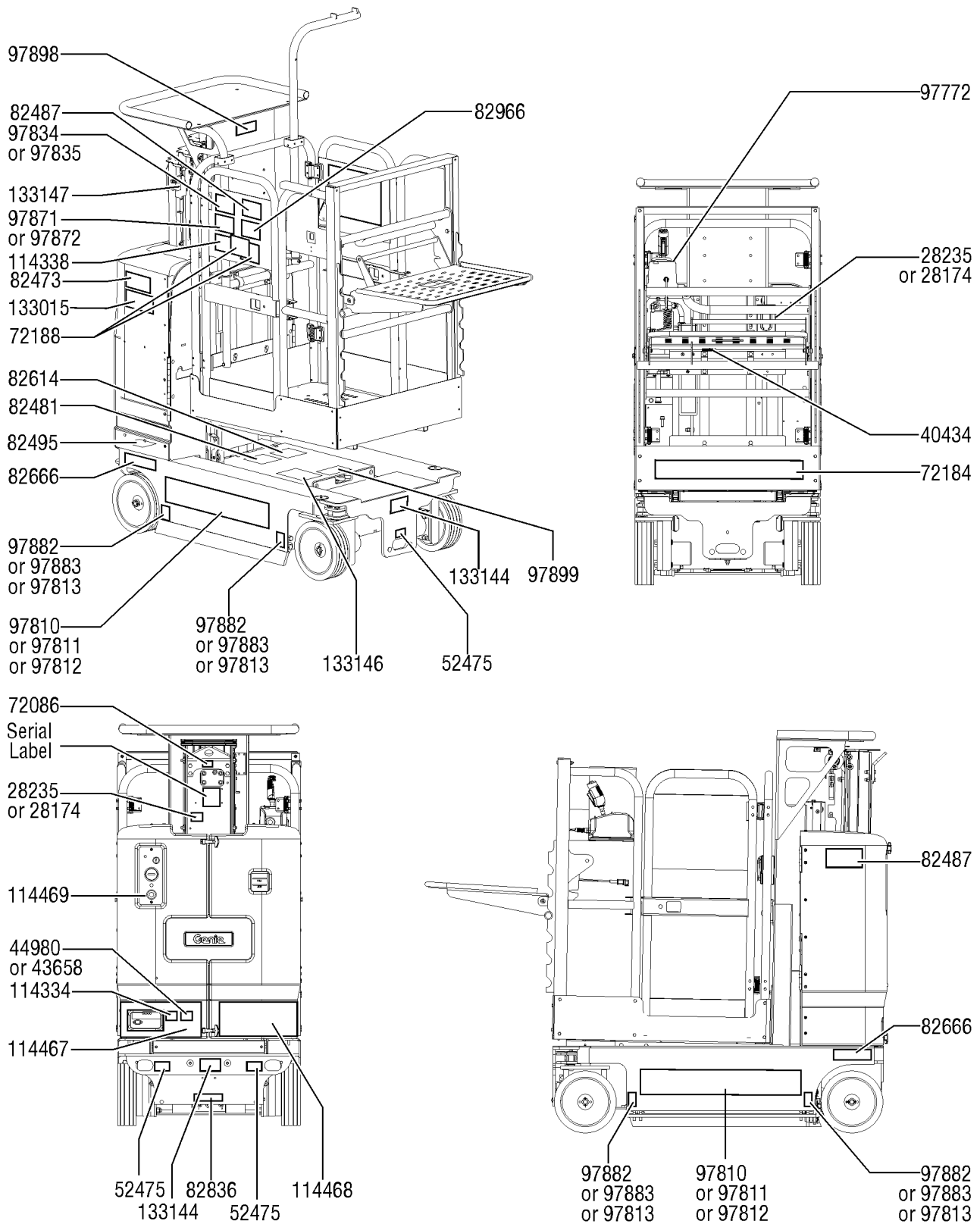


104.1 Decals with Symbols, Stockpicker Platform; ANSI, CSA (from SN 5001 to 11439)

Item	Part No.	Description	Qty.	Item	Part No.	Description	Qty.
--	107130GT	DECAL KIT-SAFETY/INST.,SYMBOLS <i>(from SN 5001 to 11439)</i>		29	97872GT	DANGER-MAX CAP,BIKE RACK-SYM** .....1 <i>GR-20 with bike rack</i>	1
1	28171GT	DECAL,DANGER,NO SMOKING *** .....1	1	30	97882GT	DECAL,LABEL,WHEEL LOAD GR12*** .....4	4
2	28174GT	DECAL, POWER TO PLATFORM 230V** .....2	2	31	97883GT	DECAL,LABEL,WHEEL LOAD GR15*** .....4	4
3	28235GT	DECAL,POWER TO PLATFORM 115V...2	2	32	97898GT	DECAL-DANGER,MAX CAP-PARCEL SY .....1 <i>GR-12, GR-15 with parcel tray</i>	1
4	40434GT	DECAL,LANYARD ANCHORAGE POINT.....1	1				
5	43658GT	DECAL,LABEL,PWR TO CHARGR 230V .....1	1				
6	44980GT	DECAL,LABEL,PWR TO CHARGR 115V .....1	1				
7	52475GT	DECAL,LABEL,TRANSPORT TIEDOWN* .....3	3				
8	72086GT	DECAL,LABEL,LIFTING EYE.....1	1				
9	72143GT	DECAL,EMERGENCY STOP,GR.....1	1				
10	72184GT	DECAL,COSMETIC,GENIE RUNABOUT.....1	1				
11	72188GT	DECAL,DIRECTIONAL ARROWS,GR...2	2				
12	82481GT	DECAL,SYMBOL-BATTERY SAFETY.....1	1				
13	82487GT	DECAL, SYMBOL - READ THE MANUAL.....2	2				
14	82495GT	DECAL,SYMBOL-BRAKE REL SAFETY.....1	1				
15	82614GT	DECAL,DANGER,COLLISION HAZARD.....1	1				
16	82666GT	DECAL,LABEL,FORKLIFT POCKET.....2	2				
17	82829GT	DECAL,DANGER,ELEC.HAZ SYMB.....1	1				
18	82836GT	LABEL,AUXILIARY LOWERING.....1	1				
19	82966GT	DECAL,SIDE FORCE,GR - ANSI,SYM...1	1				
20	97772GT	DECAL,OVERLAY,PLAT CONTROLS*** .....1	1				
21	97776GT	DECAL,GROUND CONTROL PANEL*** .....1	1				
22	97810GT	DECAL,COSMETIC,GENIE GR-12*** .....2	2				
23	97811GT	DECAL,COSMETIC,GENIE GR-15*** .....2	2				
24	97812GT	DECAL,COSMETIC,GENIE GR-20*** .....2	2				
25	97813GT	DECAL,LABEL,WHEEL LOAD GR20*** .....4	4				
26	97834GT	DECAL-DANGER,MAX CAP-227 KG SP .....1 <i>GR-12, GR-15</i>	1				
27	97835GT	DECAL-DANGER,MAX CAP-159 KG SP .....1 <i>GR-20</i>	1				
28	97871GT	DANGER-MAX CAP,BIKE RACK-SYM** .....1 <i>GR-12, GR-15 with bike rack</i>	1				



104.2 Decals with Symbols, Stockpicker Platform; ANSI, CSA (from SN 11440)

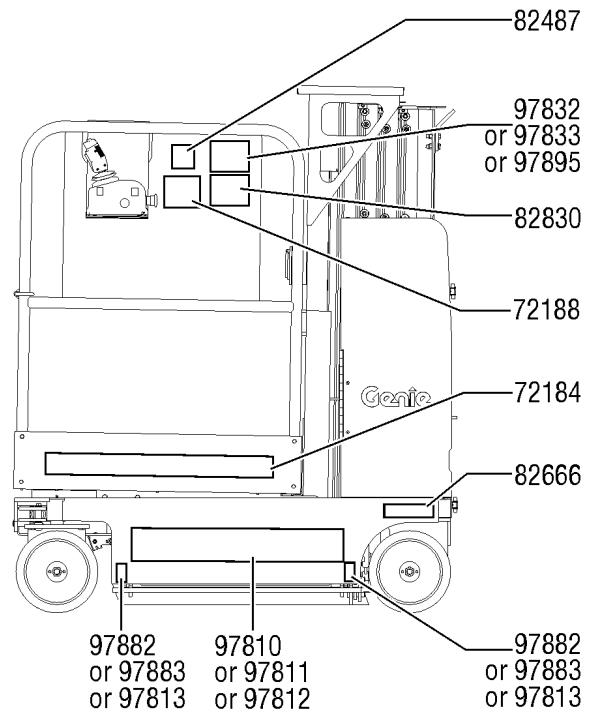
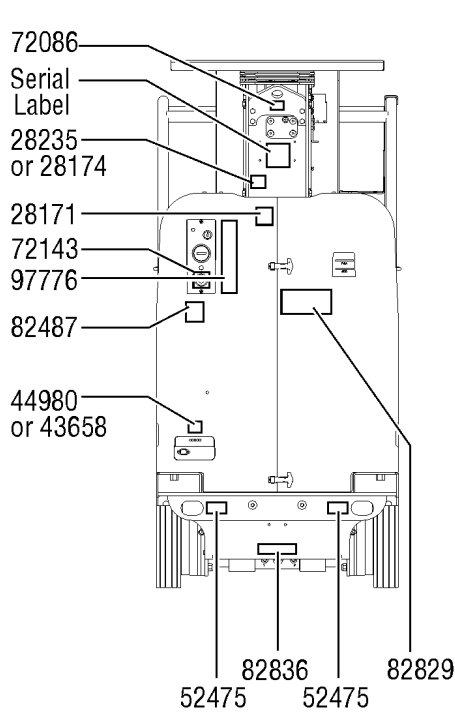
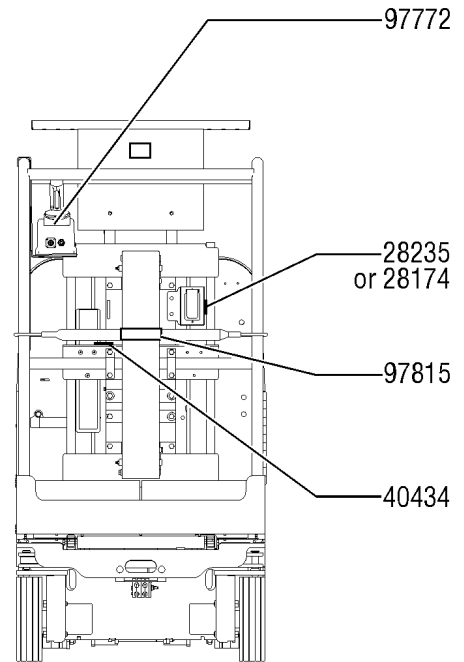
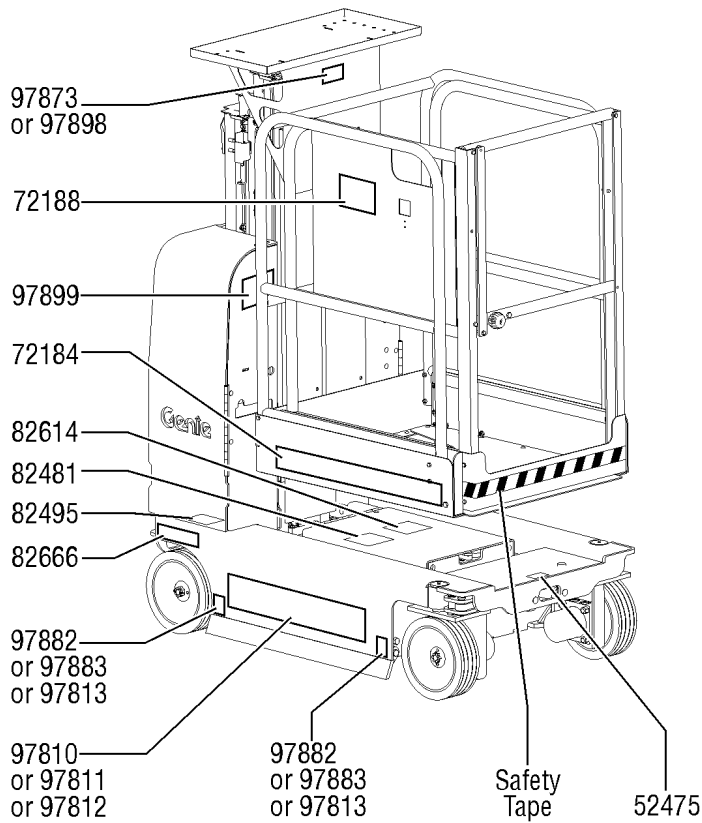


104.2 Decals with Symbols, Stockpicker Platform; ANSI, CSA (from SN 11440)

Item	Part No.	Description	Qty.	Item	Part No.	Description	Qty.
--	115414GT	DECAL KIT,SAFETY/INSTR,SYM (from SN 11440)		28	97883GT	DECAL,LABEL,WHEEL LOAD GR15***.....	4
1	28174GT	DECAL, POWER TO PLATFORM 230V**.....	2	29	97898GT	DECAL-DANGER,MAX CAP-PARCEL SY.....	1
2	28235GT	DECAL,POWER TO PLATFORM 115V...2		30	97899GT	DECAL,WARN,SAFETY CHOCK***.....	1
3	40434GT	DECAL,LANYARD ANCHORAGE POINT.....	1	31	114334GT	DECAL,SYM-ELEC HAZARD,PLUG.....	1
4	43658GT	DECAL,LABEL,PWR TO CHARGR 230V.....	1	32	114338GT	DECAL,SYM-TIP-OVER,TILT ALARM.....	1
5	44980GT	DECAL,LABEL,PWR TO CHARGR 115V.....	1	33	114467GT	DECAL,GRAY VINYL,RECT SHAPE,CS.....	1
6	52475GT	DECAL,LABEL,TRANSPORT TIEDOWN*.....	3	34	114468GT	DECAL,GRAY VINYL,RECT SHAPE,HS.....	1
7	72086GT	DECAL,LABEL,LIFTING EYE.....	1	35	114469GT	DECAL,GROUND CONTROL PANEL***.....	1
8	72184GT	DECAL,COSMETIC,GENIE RUNABOUT.....	1	36	133015GT	DECAL,DANGER,ELEC.HAZ SYMB.....	1
9	72188GT	DECAL,DIRECTIONAL ARROWS,GR...2		37	133144GT	DECAL,LABEL-TRANSPORT DIGRAM.....	2
10	82473GT	DECAL,SYMBOL-COMP ACCESS.....	1	38	133146GT	DECAL,SYM-TIPOVER,BATTERIES,GR.1	
11	82481GT	DECAL,SYMBOL-BATTERY SAFETY.....	1	39	133147GT	DECAL,SYM-TIPOVER,LIMIT SWITCH.....	1
12	82487GT	DECAL, SYMBOL - READ THE MANUAL.....	2				
13	82495GT	DECAL,SYMBOL-BRAKE REL SAFETY.....	1				
14	82614GT	DECAL,DANGER,COLLISION HAZARD.....	1				
15	82666GT	DECAL,LABEL,FORKLIFT POCKET.....	2				
16	82836GT	LABEL,AUXILIARY LOWERING.....	1				
17	82966GT	DECAL,SIDE FORCE,GR - ANSI,SYM...1					
18	97772GT	DECAL,OVERLAY,PLAT CONTROLS***.....	1				
19	97810GT	DECAL,COSMETIC,GENIE GR-12***.....	2				
20	97811GT	DECAL,COSMETIC,GENIE GR-15***.....	2				
21	97812GT	DECAL,COSMETIC,GENIE GR-20***.....	2				
22	97813GT	DECAL,LABEL,WHEEL LOAD GR20***.....	4				
23	97834GT	DECAL-DANGER,MAX CAP-227 KG SP..... GR-12, GR-15	1				
24	97835GT	DECAL-DANGER,MAX CAP-159 KG SP..... GR-20	1				
25	97871GT	DANGER-MAX CAP,BIKE RACK-SYM**..... GR-12, GR-15 with bike rack	1				
26	97872GT	DANGER-MAX CAP,BIKE RACK-SYM**..... GR-20 with bike rack	1				
27	97882GT	DECAL,LABEL,WHEEL LOAD GR12***.....	4				



105.1 Decals with Symbols, Standard Platform; CE (from SN 5001 to 11439)

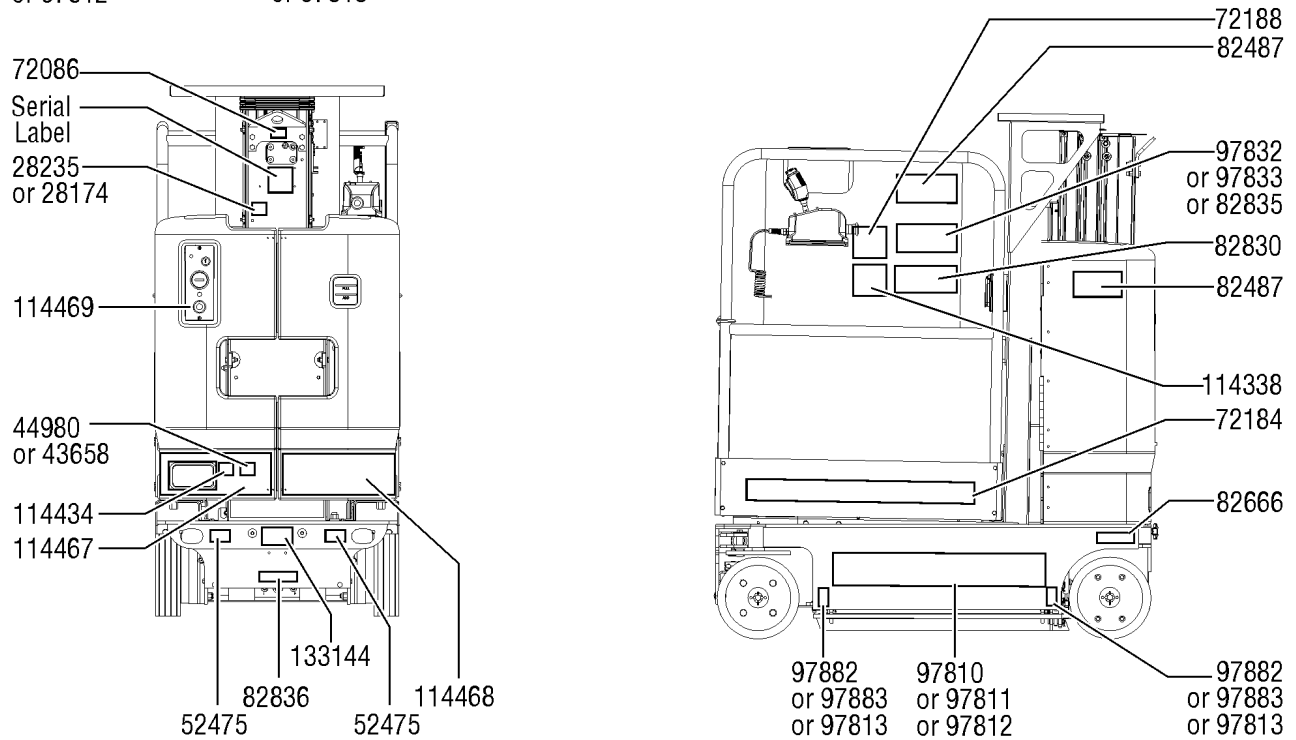
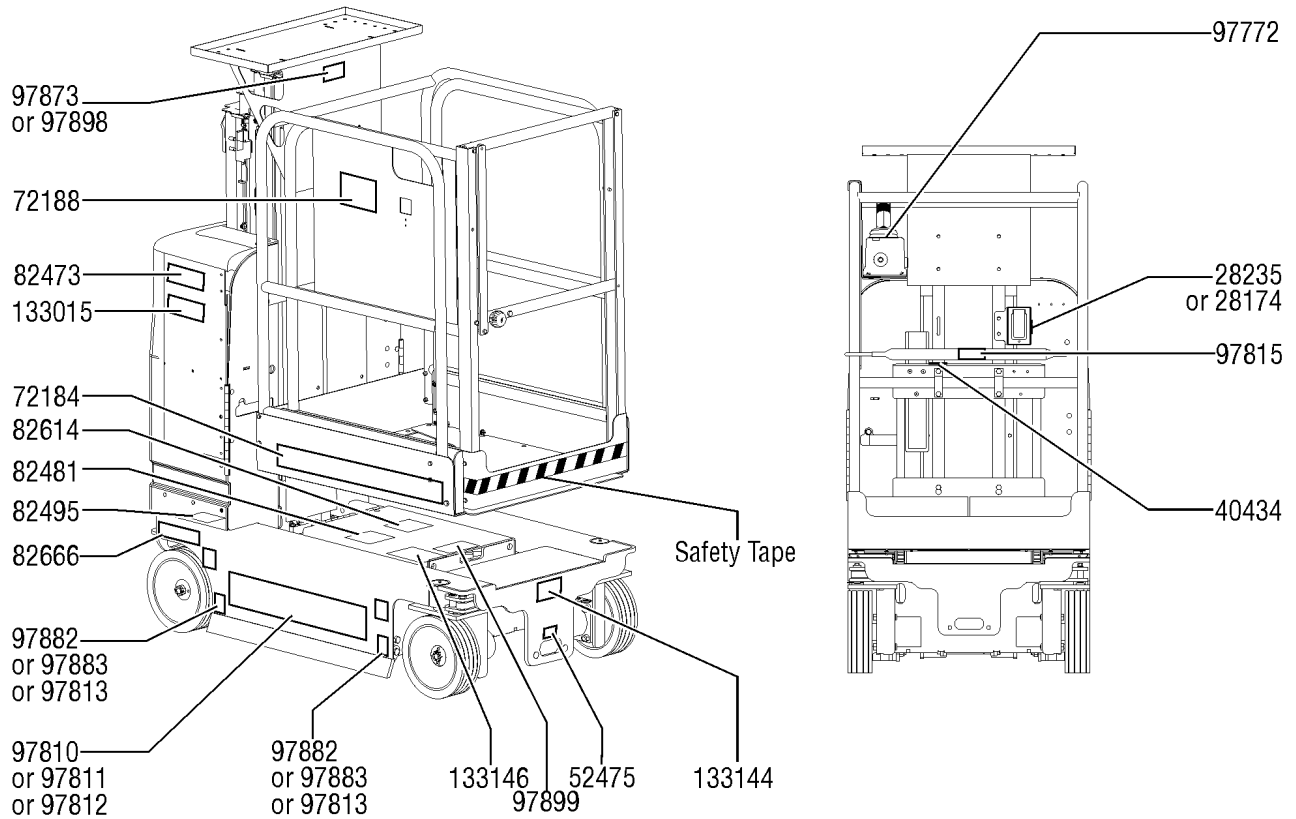


105.1 Decals with Symbols, Standard Platform; CE (from SN 5001 to 11439)

Item	Part No.	Description	Qty.	Item	Part No.	Description	Qty.
1	28171GT	DECAL,DANGER,NO SMOKING ***.....1	1	30	97873GT	DECAL-DANGER,MAX CAP-TRAY,SYM*.....1	1
2	28174GT	DECAL, POWER TO PLATFORM 230V**.....2	2			<i>GR-12, GR-15 with work tray</i>	
3	28235GT	DECAL,POWER TO PLATFORM 115V...2	2	31	97882GT	DECAL,LABEL,WHEEL LOAD GR12***.....4	4
4	40434GT	DECAL,LANYARD ANCHORAGE POINT.....1	1	32	97883GT	DECAL,LABEL,WHEEL LOAD GR15***.....4	4
5	43658GT	DECAL,LABEL,PWR TO CHARGR 230V.....1	1	33	97898GT	DECAL-DANGER,MAX CAP-PARCEL SY.....1	1
6	44980GT	DECAL,LABEL,PWR TO CHARGR 115V.....1	1			<i>GR-12, GR-15 with parcel tray</i>	
7	52475GT	DECAL,LABEL,TRANSPORT TIEDOWN*.....3	3	34	97899GT	DECAL,WARN,SAFETY CHOCK***.....1	1
8	72086GT	DECAL,LABEL,LIFTING EYE.....1	1				
9	72143GT	DECAL,EMERGENCY STOP,GR.....1	1				
10	72184GT	DECAL,COSMETIC,GENIE RUNABOUT.....2	2				
11	72188GT	DECAL,DIRECTIONAL ARROWS,GR...2	2				
12	82481GT	DECAL,SYMBOL-BATTERY SAFETY.....1	1				
13	82487GT	DECAL, SYMBOL - READ THE MANUAL.....2	2				
14	82495GT	DECAL,SYMBOL-BRAKE REL SAFETY.....1	1				
15	82614GT	DECAL,DANGER,COLLISION HAZARD.....1	1				
16	82666GT	DECAL,LABEL,FORKLIFT POCKET.....2	2				
17	82829GT	DECAL,DANGER,ELEC.HAZ SYMB.....1	1				
18	82830GT	DECAL,DANGER,SIDE FORCE CE GR.....1	1				
19	82835GT	DECAL,DANGR,159 KG CAP,STD PLT.....1	1				
		<i>(models with AWP and fiberglass platform)</i>					
20	82836GT	LABEL,AUXILIARY LOWERING.....1	1				
21	97772GT	DECAL,OVERLAY,PLAT CONTROLS***.....1	1				
22	97776GT	DECAL,GROUND CONTROL PANEL***.....1	1				
23	97810GT	DECAL,COSMETIC,GENIE GR-12***.....2	2				
24	97811GT	DECAL,COSMETIC,GENIE GR-15***.....2	2				
25	97812GT	DECAL,COSMETIC,GENIE GR-20***.....2	2				
26	97813GT	DECAL,LABEL,WHEEL LOAD GR20***.....4	4				
27	97815GT	DECAL,LABEL,LOWER MIDRAIL.....1	1				
28	97832GT	DECAL-DANGER,MAX CAP-227 KG***.....1	1				
		<i>GR-12, GR-15</i>					
29	97833GT	DECAL-DANGER,MAX CAP-159 KG***.....1	1				
		<i>GR-20</i>					



105.2 Decals with Symbols, Standard Platform; CE (from SN 11440)

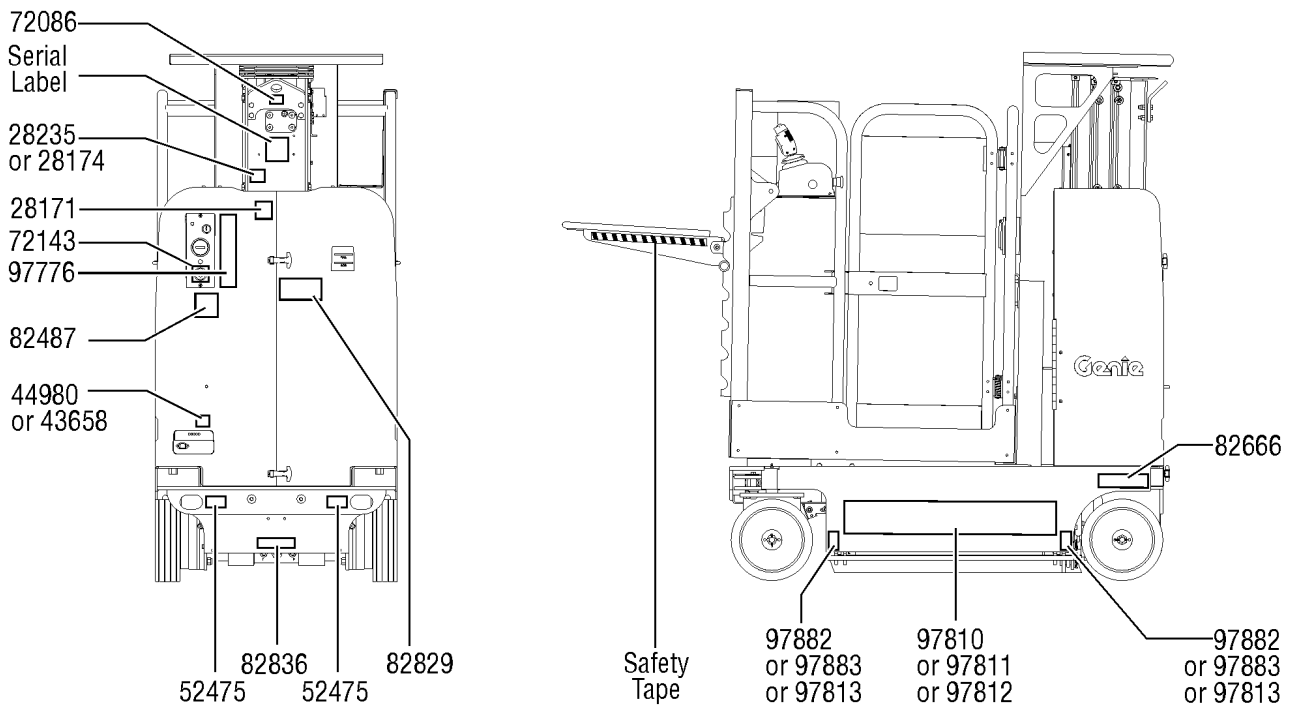
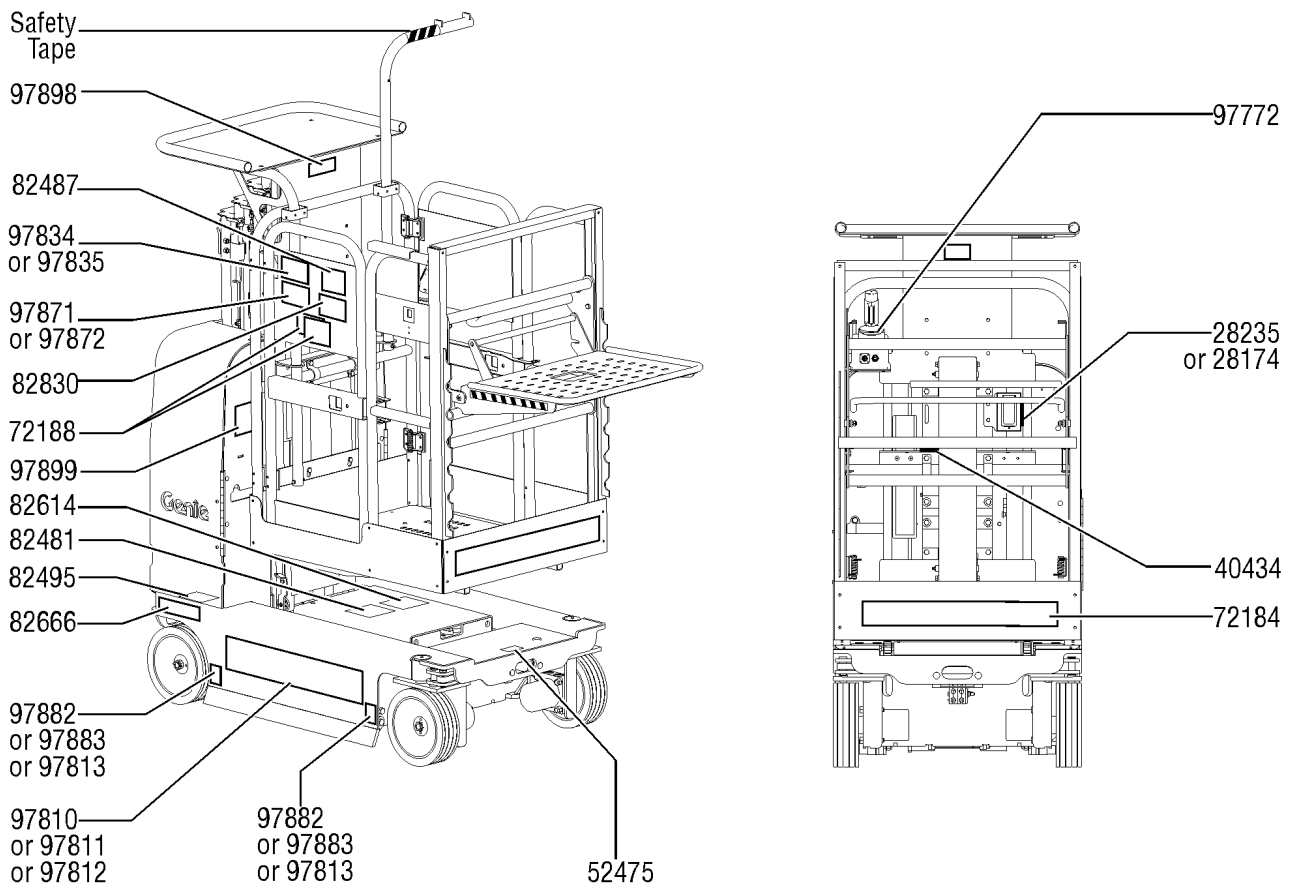


105.2 Decals with Symbols, Standard Platform; CE (from SN 11440)

Item	Part No.	Description	Qty.	Item	Part No.	Description	Qty.
--	115414GT	DECAL KIT,SAFETY/INSTR,SYM		28	97882GT	DECAL,LABEL,WHEEL LOAD GR12***.....	4
1	28174GT	DECAL, POWER TO PLATFORM 230V**.....	2	29	97883GT	DECAL,LABEL,WHEEL LOAD GR15***.....	4
2	28235GT	DECAL,POWER TO PLATFORM 115V...2		30	97898GT	DECAL-DANGER,MAX CAP-PARCEL SY.....	1
3	40434GT	DECAL,LANYARD ANCHORAGE POINT.....	1			<i>GR-12, GR-15 with parcel tray</i>	
4	43658GT	DECAL,LABEL,PWR TO CHARGR 230V.....	1	31	97899GT	DECAL,WARN,SAFETY CHOCK***.....	1
5	44980GT	DECAL,LABEL,PWR TO CHARGR 115V.....	1	32	114334GT	DECAL,SYM-ELEC HAZARD,PLUG.....	1
6	52475GT	DECAL,LABEL,TRANSPORT TIEDOWN*.....	3	33	114338GT	DECAL,SYM-TIP-OVER,TILT ALARM.....	1
7	72086GT	DECAL,LABEL,LIFTING EYE.....	1	34	114467GT	DECAL,GRAY VINYL,RECT SHAPE,CS.....	1
8	72184GT	DECAL,COSMETIC,GENIE RUNABOUT.....	2	35	114468GT	DECAL,GRAY VINYL,RECT SHAPE,HS.....	1
9	72188GT	DECAL,DIRECTIONAL ARROWS,GR...2		36	114469GT	DECAL,GROUND CONTROL PANEL ***.....	1
10	82473GT	DECAL,SYMBOL-COMP ACCESS.....	1	37	133015GT	DECAL,DANGER,ELEC.HAZ SYMB.....	1
11	82481GT	DECAL,SYMBOL-BATTERY SAFETY.....	1	38	133144GT	DECAL,LABEL-TRANSPORT DIGRAM.....	2
12	82487GT	DECAL, SYMBOL - READ THE MANUAL.....	2	39	133146GT	DECAL,SYM-TIPOVER,BATTERIES,GR.1	
13	82495GT	DECAL,SYMBOL-BRAKE REL SAFETY.....	1	40	133147GT	DECAL,SYM-TIPOVER,LIMIT SWITCH.....	1
14	82614GT	DECAL,DANGER,COLLISION HAZARD.....	1				
15	82666GT	DECAL,LABEL,FORKLIFT POCKET.....	2				
16	82830GT	DECAL,DANGER,SIDE FORCE CE GR.....	1				
17	82835GT	DECAL,DANGR,159 KG CAP,STD PLT.....	1				
		<i>(models with AWP and fiberglass platform)</i>					
18	82836GT	LABEL,AUXILIARY LOWERING.....	1				
19	97772GT	DECAL,OVERLAY,PLAT CONTROLS***.....	1				
20	97810GT	DECAL,COSMETIC,GENIE GR-12***.....	2				
21	97811GT	DECAL,COSMETIC,GENIE GR-15***.....	2				
22	97812GT	DECAL,COSMETIC,GENIE GR-20***.....	2				
23	97813GT	DECAL,LABEL,WHEEL LOAD GR20***.....	4				
24	97815GT	DECAL,LABEL,LOWER MIDRAIL.....	6				
25	97832GT	DECAL-DANGER,MAX CAP-227 KG***.....	1				
		<i>GR-12, GR-15</i>					
26	97833GT	DECAL-DANGER,MAX CAP-159 KG***.....	1				
		<i>GR-20</i>					
27	97873GT	DECAL-DANGER,MAX CAP-TRAY,SYM*.....	1				
		<i>GR-12, GR-15 with work tray</i>					



106.1 Decals with Symbols, Stockpicker Platform; CE (from SN 5001 to 11439)

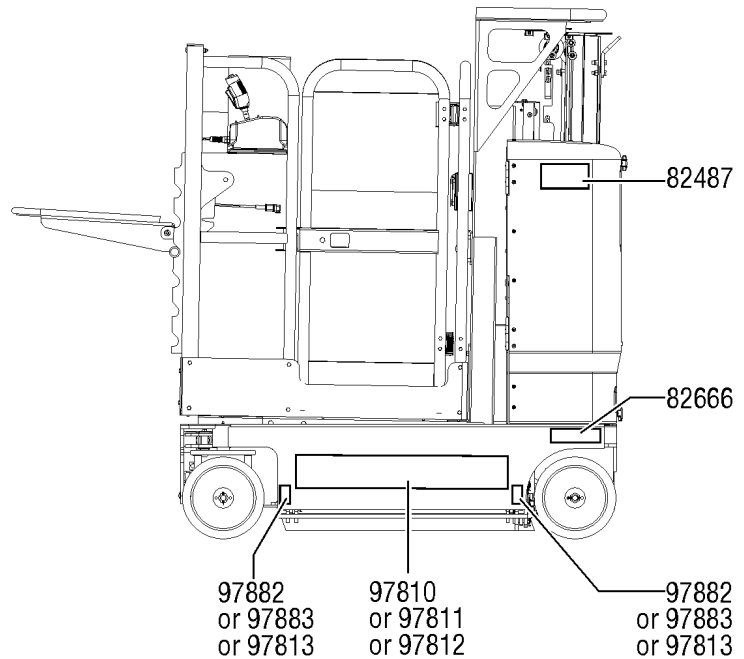
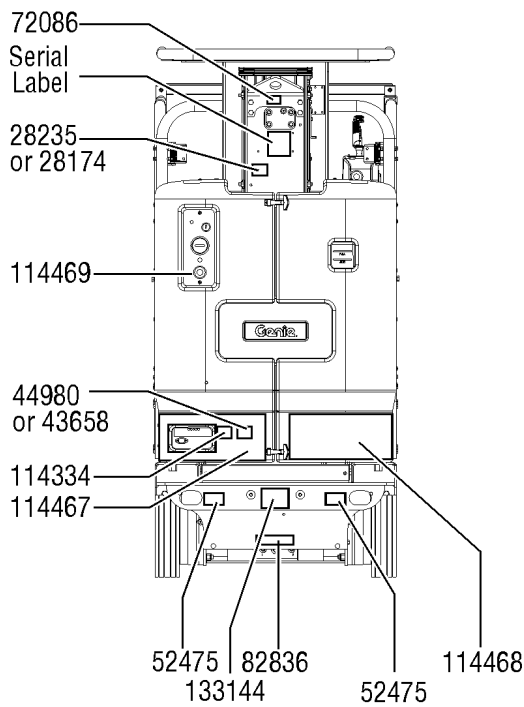
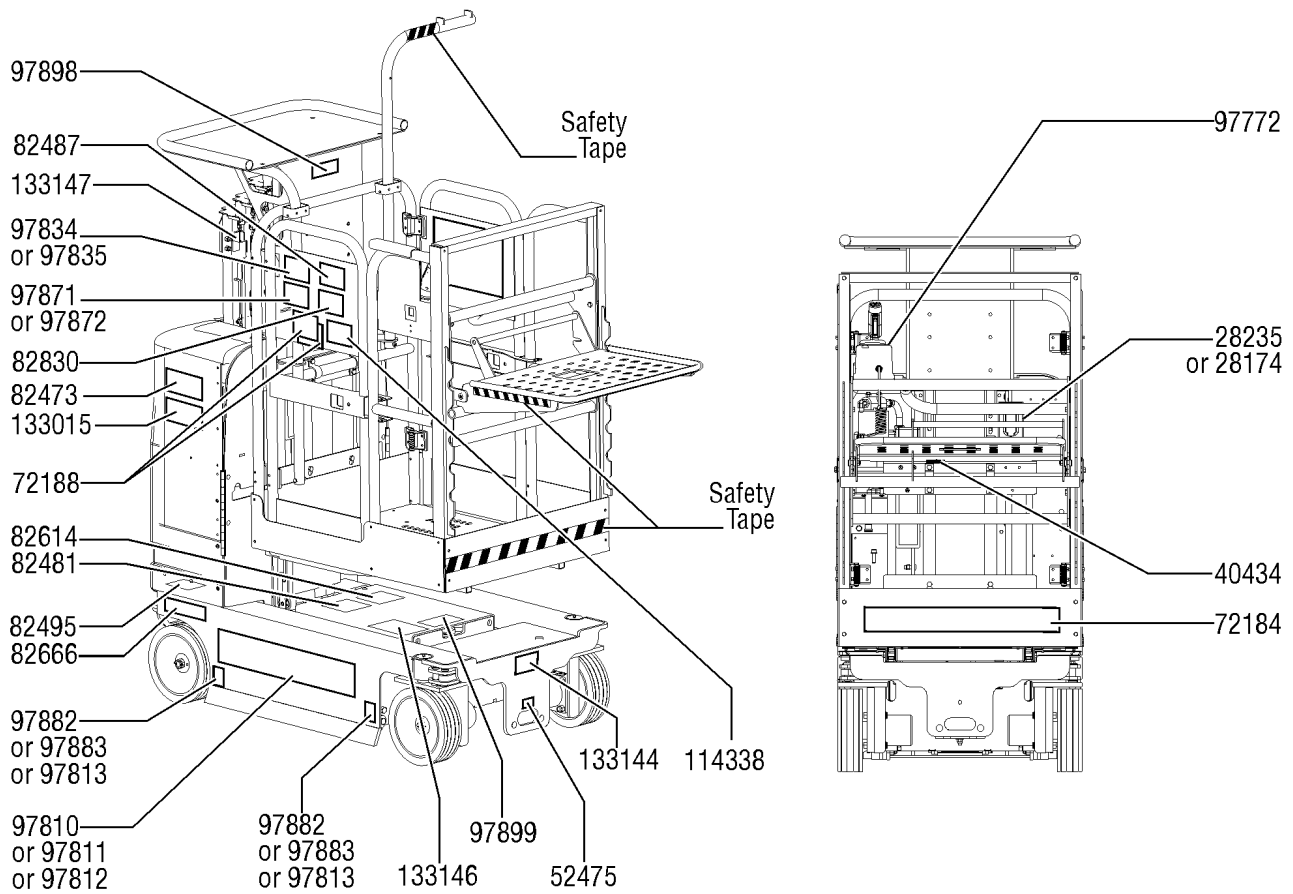


106.1 Decals with Symbols, Stockpicker Platform; CE (from SN 5001 to 11439)

Item	Part No.	Description	Qty.	Item	Part No.	Description	Qty.
1	28171GT	DECAL,DANGER,NO SMOKING ***.....1	1	30	97882GT	DECAL,LABEL,WHEEL LOAD GR12***.....4	4
2	28174GT	DECAL, POWER TO PLATFORM 230V**.....2	2	31	97883GT	DECAL,LABEL,WHEEL LOAD GR15***.....4	4
3	28235GT	DECAL,POWER TO PLATFORM 115V...2	2	32	97898GT	DECAL-DANGER,MAX CAP-PARCEL SY.....1	1
4	40434GT	DECAL,LANYARD ANCHORAGE POINT.....1	1			<i>GR-12, GR-15 with parcel tray</i>	
5	43658GT	DECAL,LABEL,PWR TO CHARGR 230V.....1	1	33	97899GT	DECAL,WARN,SAFETY CHOCK***.....1	1
6	44980GT	DECAL,LABEL,PWR TO CHARGR 115V.....1	1				
7	52475GT	DECAL,LABEL,TRANSPORT TIEDOWN*.....3	3				
8	72086GT	DECAL,LABEL,LIFTING EYE.....1	1				
9	72143GT	DECAL,EMERGENCY STOP,GR.....1	1				
10	72184GT	DECAL,COSMETIC,GENIE RUNABOUT.....1	1				
11	72188GT	DECAL,DIRECTIONAL ARROWS,GR...2	2				
12	82481GT	DECAL,SYMBOL-BATTERY SAFETY....1	1				
13	82487GT	DECAL, SYMBOL - READ THE MANUAL.....2	2				
14	82495GT	DECAL,SYMBOL-BRAKE REL SAFETY.....1	1				
15	82614GT	DECAL,DANGER,COLLISION HAZARD.....1	1				
16	82666GT	DECAL,LABEL,FORKLIFT POCKET.....2	2				
17	82829GT	DECAL,DANGER,ELEC.HAZ SYMB.....1	1				
18	82830GT	DECAL,DANGER,SIDE FORCE CE GR.....1	1				
19	82836GT	LABEL,AUXILIARY LOWERING.....1	1				
20	97772GT	DECAL,OVERLAY,PLAT CONTROLS***.....1	1				
21	97776GT	DECAL,GROUND CONTROL PANEL***.....1	1				
22	97810GT	DECAL,COSMETIC,GENIE GR-12***.....2	2				
23	97811GT	DECAL,COSMETIC,GENIE GR-15***.....2	2				
24	97812GT	DECAL,COSMETIC,GENIE GR-20***.....2	2				
25	97813GT	DECAL,LABEL,WHEEL LOAD GR20***.....4	4				
26	97834GT	DECAL-DANGER,MAX CAP-227 KG SP.....1	1				
		<i>GR-12, GR-15</i>					
27	97835GT	DECAL-DANGER,MAX CAP-159 KG SP.....1	1				
		<i>GR-20</i>					
28	97871GT	DANGER-MAX CAP,BIKE RACK-SYM**.....1	1				
		<i>GR-12, GR-15 with bike rack</i>					
29	97872GT	DANGER-MAX CAP,BIKE RACK-SYM**.....1	1				
		<i>GR-20 with bike rack</i>					



106.2 Decals with Symbols, Stockpicker Platform; CE (from SN 11440)

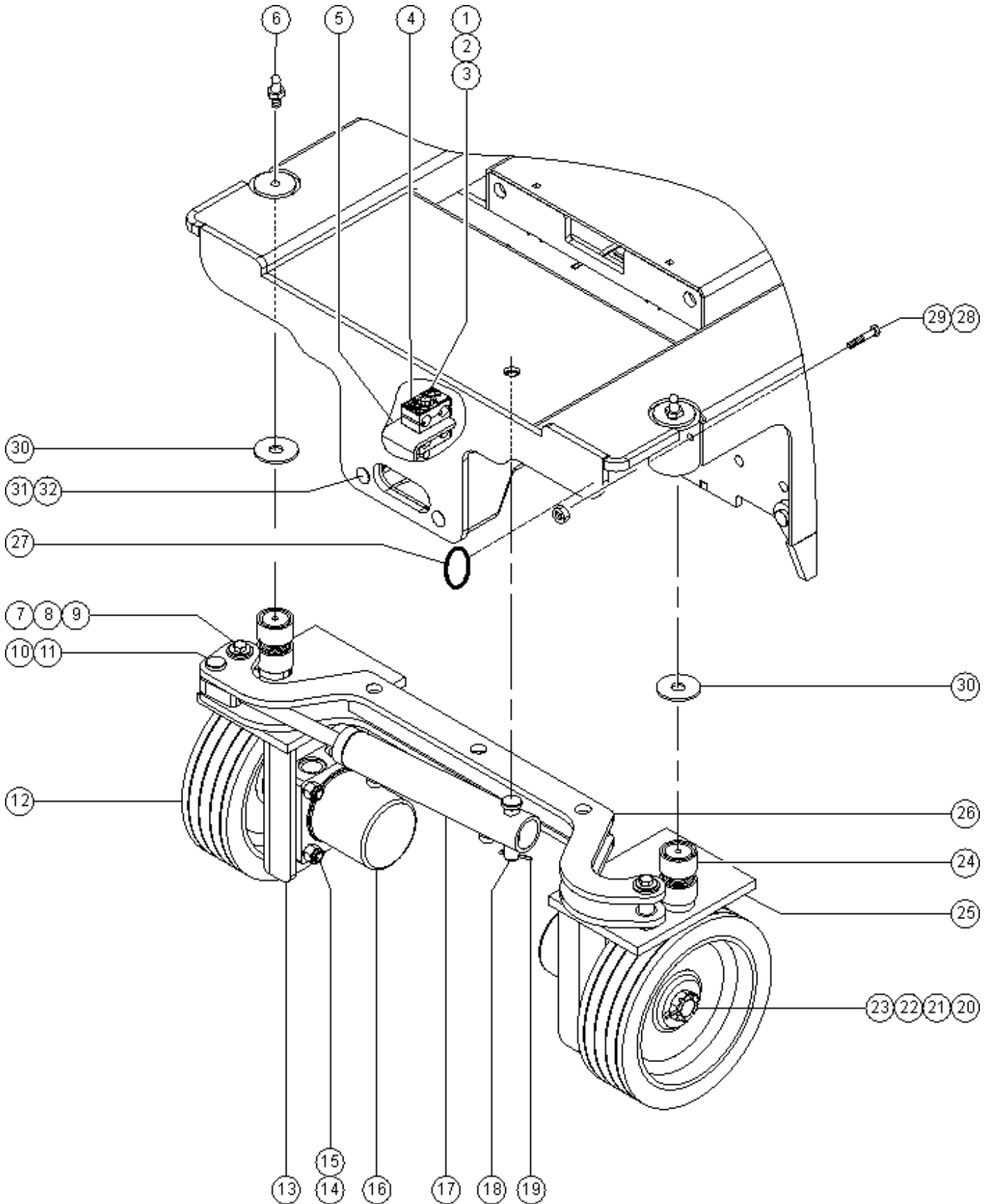


106.2 Decals with Symbols, Stockpicker Platform; CE (from SN 11440)

Item	Part No.	Description	Qty.	Item	Part No.	Description	Qty.
--	115414GT	DECAL KIT,SAFETY/INSTR,SYM (from SN 11440)		28	97883GT	DECAL,LABEL,WHEEL LOAD GR15***.....	4
1	28174GT	DECAL, POWER TO PLATFORM 230V**.....	2	29	97898GT	DECAL-DANGER,MAX CAP-PARCEL SY.....	1
2	28235GT	DECAL,POWER TO PLATFORM 115V...2				GR-12, GR-15 with parcel tray	
3	40434GT	DECAL,LANYARD ANCHORAGE POINT.....	1	30	97899GT	DECAL,WARN,SAFETY CHOCK***.....	1
4	43658GT	DECAL,LABEL,PWR TO CHARGR 230V.....	1	31	114334GT	DECAL,SYM-ELEC HAZARD,PLUG.....	1
5	44980GT	DECAL,LABEL,PWR TO CHARGR 115V.....	1	32	114338GT	DECAL,SYM-TIP-OVER,TILT ALARM.....	1
6	52475GT	DECAL,LABEL,TRANSPORT TIEDOWN*.....	3	33	114467GT	DECAL,GRAY VINYL,RECT SHAPE,CS.....	1
7	72086GT	DECAL,LABEL,LIFTING EYE.....	1	34	114468GT	DECAL,GRAY VINYL,RECT SHAPE,HS.....	1
8	72184GT	DECAL,COSMETIC,GENIE RUNABOUT.....	1	35	114469GT	DECAL,GROUND CONTROL PANEL***.....	1
9	72188GT	DECAL,DIRECTIONAL ARROWS,GR...2		36	133015GT	DECAL,DANGER,ELEC.HAZ SYMB.....	1
10	82473GT	DECAL,SYMBOL-COMP ACCESS.....	1	37	133144GT	DECAL,LABEL-TRANSPORT DIGRAM.....	2
11	82481GT	DECAL,SYMBOL-BATTERY SAFETY.....	1	38	133146GT	DECAL,SYM-TIPOVER,BATTERIES,GR.1	
12	82487GT	DECAL, SYMBOL - READ THE MANUAL.....	2	39	133147GT	DECAL,SYM-TIPOVER,LIMIT SWITCH.....	1
13	82495GT	DECAL,SYMBOL-BRAKE REL SAFETY.....	1				
14	82614GT	DECAL,DANGER,COLLISION HAZARD.....	1				
15	82666GT	DECAL,LABEL,FORKLIFT POCKET.....	2				
16	82830GT	DECAL,DANGER,SIDE FORCE CE GR.....	1				
17	82836GT	LABEL,AUXILIARY LOWERING.....	1				
18	97772GT	DECAL,OVERLAY,PLAT CONTROLS***.....	1				
19	97810GT	DECAL,COSMETIC,GENIE GR-12***.....	2				
20	97811GT	DECAL,COSMETIC,GENIE GR-15***.....	2				
21	97812GT	DECAL,COSMETIC,GENIE GR-20***.....	2				
22	97813GT	DECAL,LABEL,WHEEL LOAD GR20***.....	4				
23	97834GT	DECAL-DANGER,MAX CAP-227 KG SP.....	1				
		GR-12, GR-15					
24	97835GT	DECAL-DANGER,MAX CAP-159 KG SP.....	1				
		GR-20					
25	97871GT	DANGER-MAX CAP,BIKE RACK-SYM**.....	1				
		GR-12, GR-15 with bike rack					
26	97872GT	DANGER-MAX CAP,BIKE RACK-SYM**.....	1				
		GR-20 with bike rack					
27	97882GT	DECAL,LABEL,WHEEL LOAD GR12***.....	4				



201.1 Steer Axle Linkage and Wheels

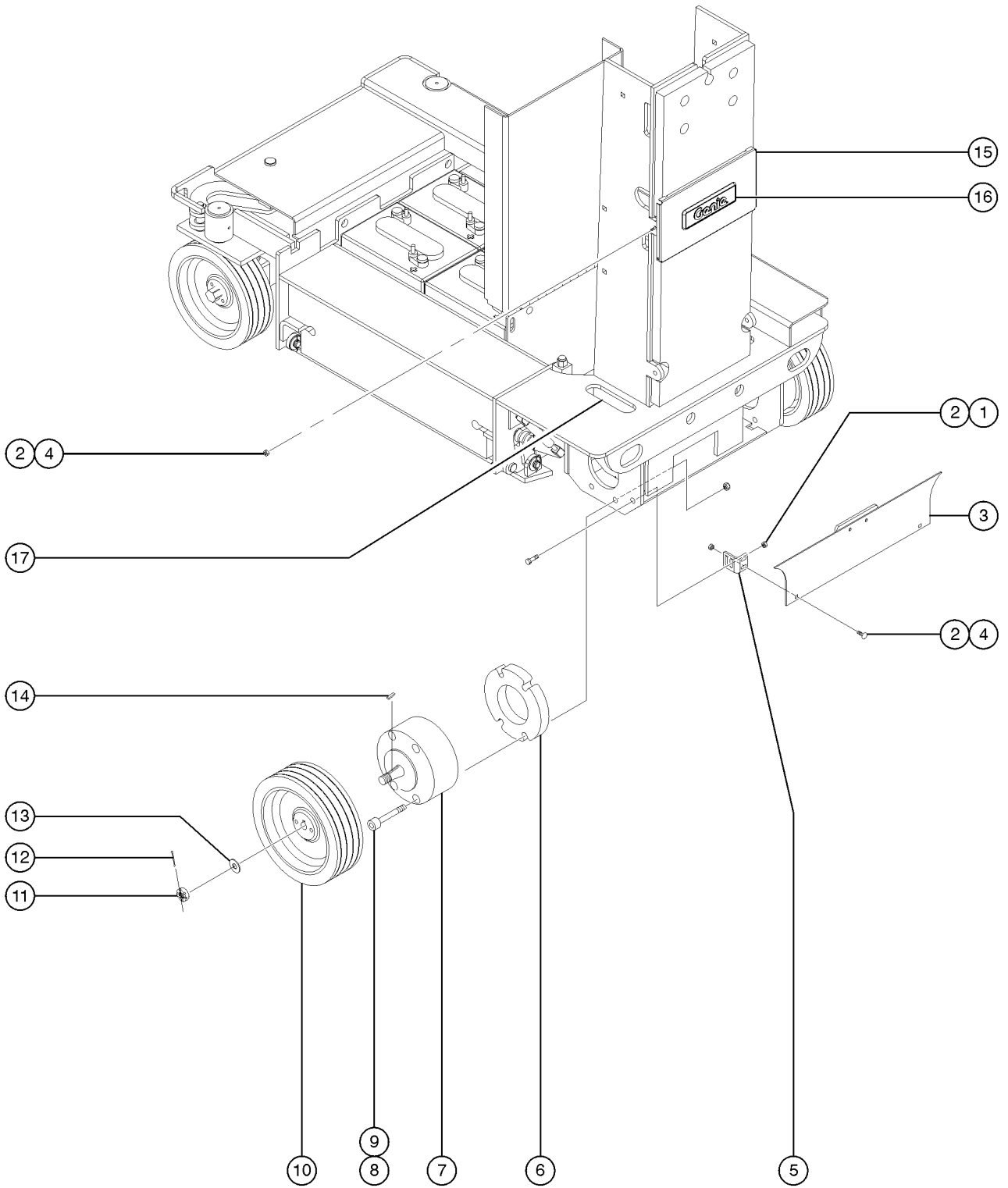


201.1 Steer Axle Linkage and Wheels

Item	Part No.	Description	Qty.	Item	Part No.	Description	Qty.
1	12343GT	SCREW,HHC,1/4-20 X 3		19	96423GT	RUE RING,3/4 PIN.....	2
2	6638GT	WASHER,FLAT,USS,1/4"Y		20	5361GT	PIN,COTTER,.125 X 1.5.....	2
3	6091GT	NUT,NYLOCK,1/4-20		21	69548GT	NUT,CASTLE(57996)GR.....	2
4	78736GT	CLAMP,2 HOSE,PLASTIC,5/8.....	4	22	69547GT	KEY,DRIVE MOTOR(57996).....	2
5	100371GT	FORMING, DRIVE HOSE SUPPORT.....	1	23	33373GT	WASHER,SHIM,1.50 X .890 X .09 (to SN GR06-7442)	
5A	109768GT	FORMING,DRIVE HOSE GUARD (from SN GR06-7443 to GR07-8918)		24	18396GT	BEARING,1.51DX1.75ODX1.0L.....	4
5B	124122GT	FORMING, DRIVE HOSE GUARD (from SN GR07-8919)		25A	228789GT	SRV KIT,STEER YOKE,GR/GRC.....	1
6	66770GT	FITTING,STRAIGHT DRIVE-IN ZERK....	2				
7	8255GT	SCREW,HHC,3/8-16 X .75		--	145084GT	WELDMENT, STEER YOKE, LH, GR GR-12, GR-15 (ground controls side) (to SN 15594) (for use only after installation of Service Kit 228789)	
8	6097GT	WASHER,FLAT,USS,3/8",Y		25B	145084GT	WELDMENT, STEER YOKE, LH, GR GR-12, GR-15 (ground controls side) (from SN 15595)	
9	47548GT	BEARING,FL,0.75ID X 1 OD X .49.....	4	25C	228921GT	SRV KIT,STEER YOKE, GR-20/GRC GR-20 (to SN 15594) (required for first-time replacement; includes items 13 and 25)	
10	6545GT	PIN,CLEVIS,.75 X 2.....	1	--	145086GT	WELDMENT, STEER YOKE, LH, GR20 GR-20 (ground controls side) (to SN 15594) (for use only after installation of Service Kit 228921)	
11	5361GT	PIN,COTTER,.125 X 1.5.....	2	25D	145086GT	WELDMENT, STEER YOKE, LH, GR20 GR-20 (ground controls side) (from SN 15595)	
12	57998GT	ASSY,WHEEL & TIRE,GR.....	2	26	107359GT	TIE ROD ASSY W/BRNGS,GR2.....	1
13A	228789GT	SRV KIT,STEER YOKE,GR/GRC.....	1				
--	145083GT	WELDMENT, STEER YOKE, RH, GR GR-12, GR-15 (power unit side) (to SN 15594) (for use only after installation of Service Kit 228789)		27	106924GT	GROMMET,RUBBER .38X.2X1.75.....	2
13B	145083GT	WELDMENT, STEER YOKE, RH, GR GR-12, GR-15 (power unit side) (from SN 15595)		28	109581GT	SCREW,SET,HS1/4-20X.625W/PATCH (from SN GR05-5325)	
13C	228921GT	SRV KIT,STEER YOKE, GR-20/GRC GR-20 (to SN 15594) (required for first-time replacement; includes items 13 and 25)		28	6888GT	SCREW,HHC,1/4-20 X 1 (to SN GR05-5324)	
--	145085GT	WELDMENT, STEER YOKE, RT, GR20 GR-20 (power unit side) (to SN 15594) (for use only after installation of Service Kit 228921)		29	6357GT	NUT,HEX,1/4-20 (to SN GR05-5324)	
13D	145085GT	WELDMENT, STEER YOKE, RT, GR20 GR-20 (power unit side) (from SN 15595)		30	105565GT	WASHER,THRUST, GS	
14	9145GT	SCREW,HHC,1/2-13 X 2.5,GR5		31	105092GT	BOLT,CARRIAGE,3/8-16X1.25,GR5	
15	6198GT	NUT,NYLOCK,1/2-13		32	4828GT	NUT,NYLOCK,3/8-16	
16	57996GT	MOTOR, 10.0 CU IN/REV DRIVE.....	2				
--	65616GT	SEAL KIT PWR WHL MOTOR					
17	105547GT	CYLINDER,GS/GR STEER***.....	1				
--	105550GT	KIT,STEER CYL SEAL (from SN GR07-8339)					
--	84387GT	SEAL KIT,STEER CYLINDER(96077) (to SN GR07-8338)					
18	96907GT	PIN,CLEVIS,0.75 X 3.25".....	1				
19	21253GT	CLIP,HAIR PIN .125 X 2.....	2				

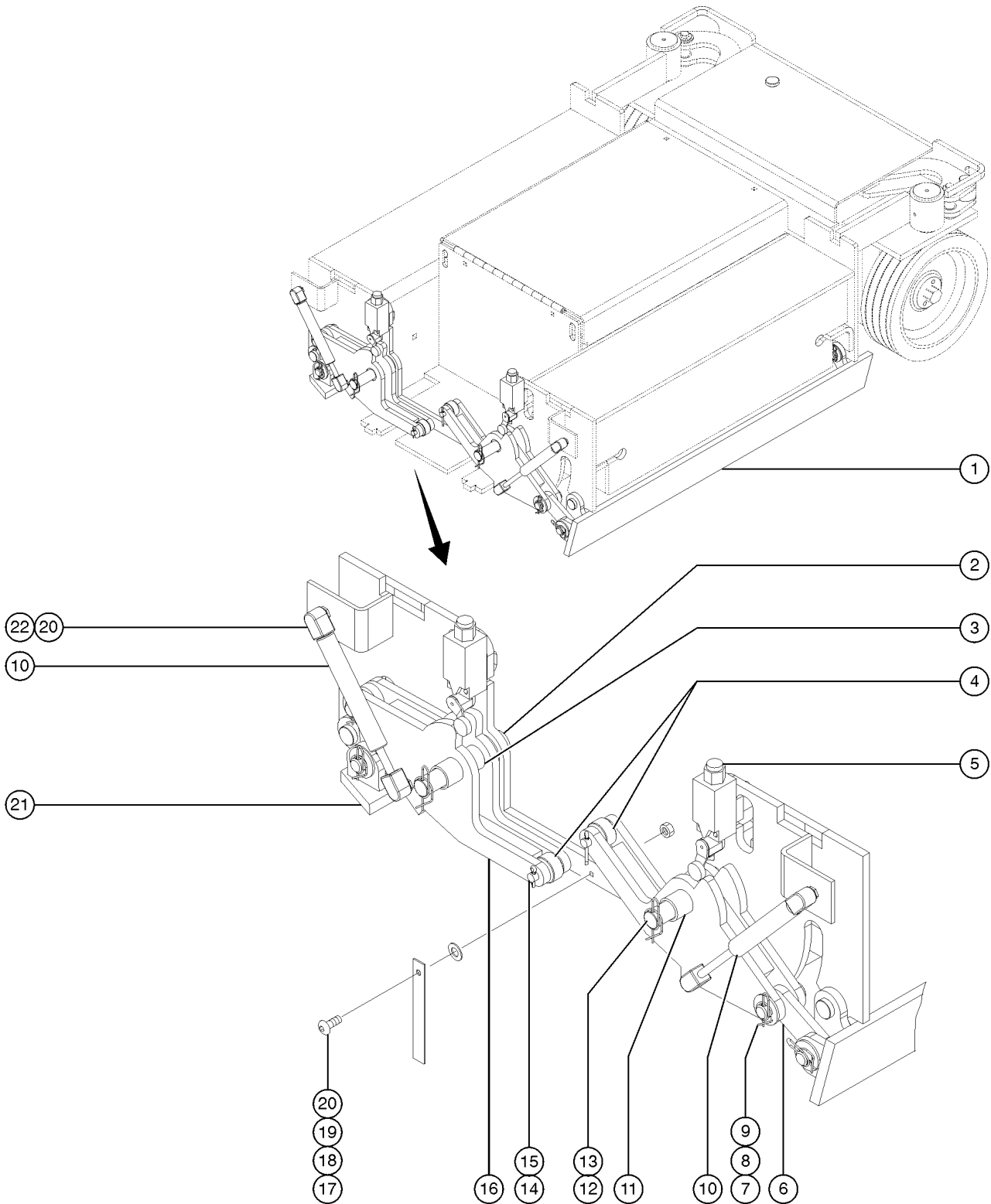


202.1 Non-steer Axle



Item	Part No.	Description	Qty.
--		FIELD KIT,REAR COVER,GR	
1	6888GT	SCREW,HHC,1/4-20 X 1	
2	6091GT	NUT,NYLOCK,1/4-20	
3	822685GT	FIELD KIT,REAR COVER,GR.....1	
4	6878GT	BOLT,CARRIAGE,1/4-20 X .75,G2	
5	96113GT	BRACKET,TRAY LATCH.....2	
6	100808GT	PLATE, BRAKE SPACER, GR20.....2	
7	215550GT	BRAKE,1.5IN/FT SHAFT,W/ORIFICE.....2	
8	52730GT	SCREW,SHC,1/2-13 X 5 <i>GR to SN 15817; GRC to SN 237</i>	
8A	42360GT	SCREW,SHC,1/2-13 X 4 ZINC <i>GR from SN 15818 to 15860; GRC from SN 238 to 251 (for use with 145307 brake)</i>	
8B	52730GT	SCREW,SHC,1/2-13 X 5 <i>GR from SN 15861 to 15910; GRC from SN 252 to 253</i>	
8C	42360GT	SCREW,SHC,1/2-13 X 4 ZINC <i>GR from SN 15911; GRC from SN 254 (for use with 145307 brake)</i>	
9	6198GT	NUT,NYLOCK,1/2-13	
10	57998GT	ASSY,WHEEL & TIRE,GR.....2 <i>grey, non-marking</i>	
11	69548GT	NUT,CASTLE(57996)GR.....2	
12	5361GT	PIN,COTTER,.125 X 1.5.....2	
13	33373GT	WASHER,SHIM,1.50 X .890 X .09 <i>from SN 5001 to 8024</i>	
14	69547GT	KEY,DRIVE MOTOR(57996).....2	
15	124244GT	FORMING,GR EMBLEM MNTG PLATE	
16	130083GT	EMBLEM,GENIE,8 IN.	
17	105440GT	GROMMET,RUBBER 2.5 X 3.0.....2	

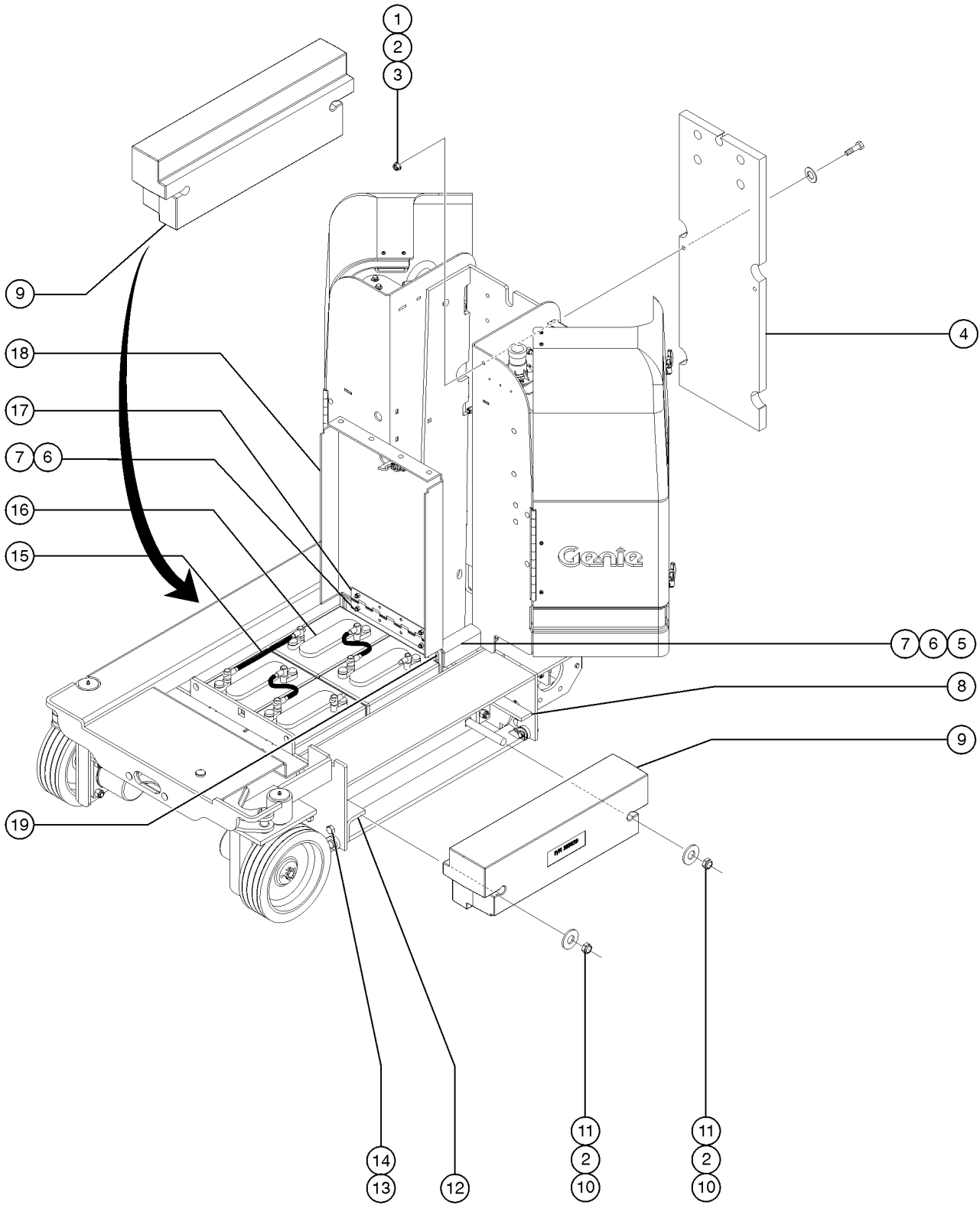
203.1 Pothole Protection Assembly



## 203.1 Pothole Protection Assembly

Item	Part No.	Description	Qty.
1	100489GT	WELDMENT, POTHOLE GUARD, RT.....1 (power unit side)	1
2	55355GT	SPACER,.75ID X 1.5OD X 1/4THK.....2	2
3	96642GT	BEARING,.75ID X 1.0OD X 1.38LG.....2	2
4	96541GT	CAM FOLLOWER,1.125X.375,DELFIN..2	2
5	96948GT	SWITCH,LIMIT,W/ROLLER ARM***.....2	2
--	15513GT	NUT,HEX,10-32.....4	4
--	19491GT	CONTACTOR,LIMIT SWITCH	
--	51063GT	SCREW,PHILLIPS,RHM,10-32 X 1.5.....4	4
--	75144GT	WASHER,FLAT,SAE 1/4",ZINC.....4	4
--	87561GT	CABLE SQUEEZE CONN 2 WIRE	
--	97128GT	ROLLER ARM,LIMIT SWITCH***	
6	100492GT	PLATE, POTHOLE LOWER LINK.....2	2
7	96422GT	RUE RING,5/8 PIN.....8	8
8	96135GT	PIN,CLEVIS,.625 X 1.88,ZINC PL.....8	8
9	22261GT	WASHER,FLAT,.650 X 1.312 X.095	
10	100834GT	GAS SPRING, GR.....2	2
11	100915GT	SPACER,.82 ID X1.0 ODX1.125 LG.....2	2
12	96423GT	RUE RING,3/4 PIN.....2	2
13	78060GT	PIN,CLEVIS,.75 DIA. X 4.00.....2	2
14	12016GT	PIN,COTTER,.125 X .75.....2	2
15	34742GT	PIN,CLEVIS,.375 X 1.75 LG.....2	2
16	107370GT	UPPER POTHOLE LINK ASSY W/BRNG.....2 (includes item 3)	2
17	64154GT	BOLT,CARRIAGE,3/8-16 X1.00,G5	
18	105060GT	GROUND STRAP, 8"LG.....2	2
19	6097GT	WASHER,FLAT,USS,3/8",Y	
20	7713GT	NUT, LP NYLOCK, 3/8-16	
21	100488GT	WELDMENT, POTHOLE GUARD, LT.....1 (ground controls side)	1
22	78086GT	BALL STUD, GAS STRUT, 3/8-16.....4	4

204.1 Battery Pack and Counterweight Brackets

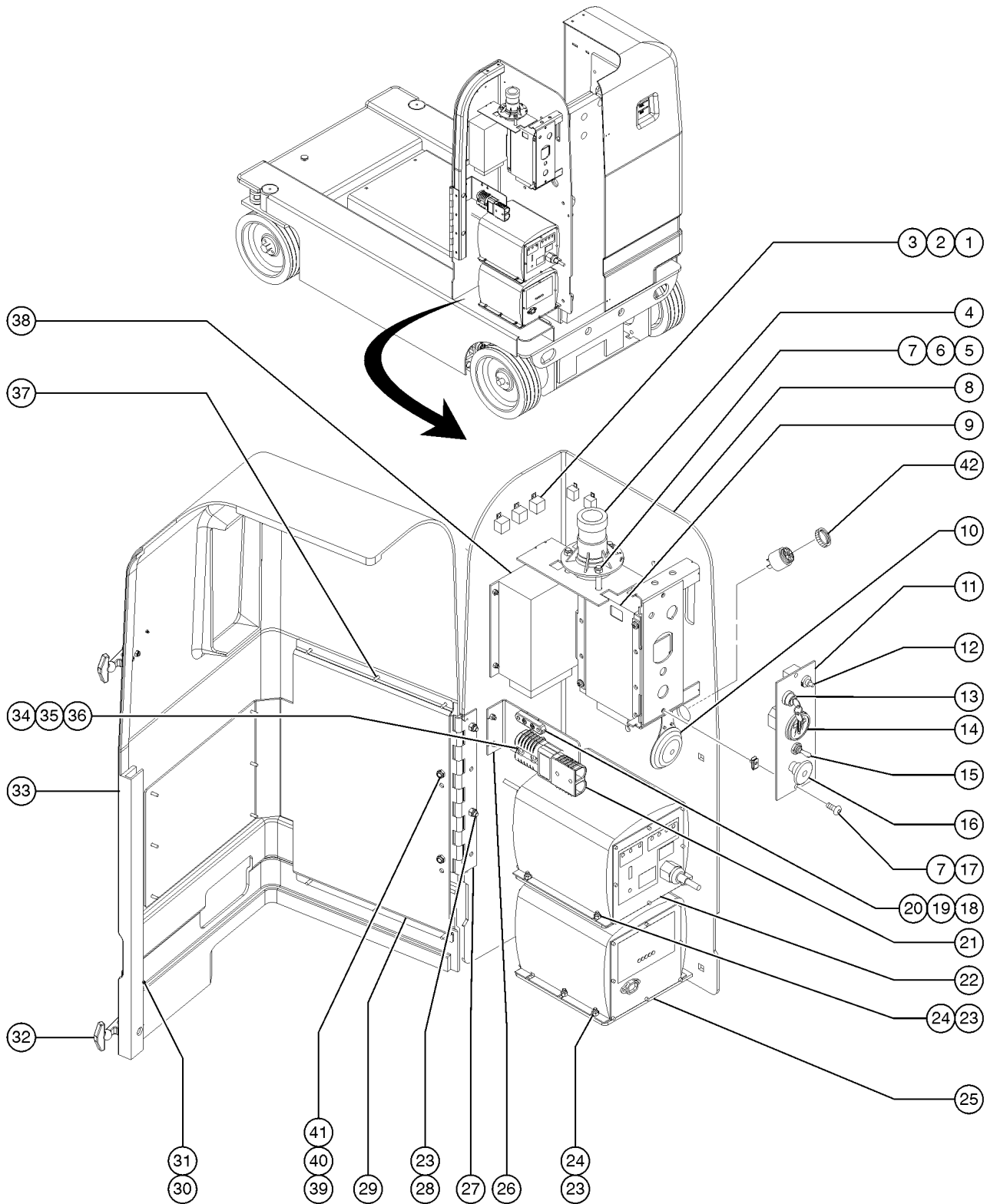


204.1 Battery Pack and Counterweight Brackets

Item	Part No.	Description	Qty.	Item	Part No.	Description	Qty.
1	7713GT	NUT, LP NYLOCK, 3/8-16.....2 <i>GR-20 (from S/N GR09-013401 (nut update))</i>	2	18	107133GT	BATTERY COVER ASSY,WORDS.....1 <i>(USA, Canada, Australia from SN 5001 to 11439)</i>	1
2	15086GT	WASHER,FLAT,.375 X 1.5 X .125 <i>GR-15</i>		18	229212GT	BATT CVR ASSY,GR,WORDS,ANSI <i>(USA, Canada, Australia from SN 11440 to 19999)</i>	
2A	6097GT	WASHER,FLAT,USS,3/8",Y <i>GR-20</i>		--	100986GT	PLATE,BATT. TRAY LATCH HANDLE	
3	5224GT	SCREW,HHC,3/8-16 X 2 <i>GR-20</i>		--	23396GT	SPRING,CONTROL CABLE, AWP	
4	100809GT	CAST,CWT, MAST <i>GR-20</i>		--	96699GT	SLEEVE,TANK SUPPORT <i>(bushing)</i>	
5	100913GT	FORMING, CABLE BRIDGE.....1	1	18A	107134GT	BATTERY COVER ASSY,SYMBOLS.....1 <i>(Asia, South America from SN 5001 to 11439)</i>	1
6	6878GT	BOLT,CARRIAGE,1/4-20 X .75,G2		18A	229213GT	BATT CVR ASSY,GR,SYM,ANSI <i>(Asia, South America from SN 11440 to 19999)</i>	
7	6091GT	NUT,NYLOCK,1/4-20		--	100986GT	PLATE,BATT. TRAY LATCH HANDLE	
8	124151GT	WLDMT,CW SUPPORT,LT.....2 <i>GR-15, GR-20 (non-steer end, ground controls side)</i>	2	--	23396GT	SPRING,CONTROL CABLE, AWP	
8A	124152GT	WLDMT,CW SUPPORT,RT.....1 <i>GR-15, GR-20 (non-steer end, power unit side)</i>	1	--	96699GT	SLEEVE,TANK SUPPORT <i>(bushing)</i>	
9	109840GT	COUNTERWEIGHT,CAST,GR15.....2 <i>GR-15</i>	2	18B	107134GT	BATTERY COVER ASSY,SYMBOLS <i>(Europe from SN 5001 to 11439)</i>	
9A	109839GT	COUNTERWEIGHT,CAST,GR20.....2 <i>GR-20</i>	2	18B	229214GT	BATT CVR ASSY,GR,SYM,CE <i>(Europe from SN 11440 to 19999)</i>	
10	7713GT	NUT, LP NYLOCK, 3/8-16		--	100986GT	PLATE,BATT. TRAY LATCH HANDLE	
11	124105GT	BOLT,CARRIAGE,3/8-16 X 6.00,G2 <i>GR-15</i>		--	23396GT	SPRING,CONTROL CABLE, AWP	
12	100352GT	FORMING, CWT BRACKET.....2 <i>GR-20 (non-steer end)</i>	2	--	96699GT	SLEEVE,TANK SUPPORT <i>(bushing)</i>	
13	8177GT	SCREW,HHC,1/2-13 X 1.5		19	124962GT	GROMMET,RUBBER,1.0 X 1.25X1.5	
14	6198GT	NUT,NYLOCK,1/2-13					
15		Ref. Battery Cables <i>(refer to 208.1)</i>					
16A	76502GT	BATTERY,T105 W/LPT,3 CAP,DRY**.....4	4				
--	137769GT	BATTERY WATERING HAND PUMP					
--	137770GT	BATTERY WATERING KIT, 24V UNIV <i>(to watch the installation video, copy and paste this link to your web browser)</i> <a href="https://www.youtube.com/watch?v=13zTt-hWik">https://www.youtube.com/watch?v=13zTt-hWik</a>					
--	18503GT	NUT,LOCKING-LG.FLANGE,5/16-18					
16B	105150GT	BATTERY, AGM, 6V, (TROJAN) *** <i>(option)</i>					
--	137769GT	BATTERY WATERING HAND PUMP					
--	137770GT	BATTERY WATERING KIT, 24V UNIV <i>(to watch the installation video, copy and paste this link to your web browser)</i> <a href="https://www.youtube.com/watch?v=13zTt-hWik">https://www.youtube.com/watch?v=13zTt-hWik</a>					
--	18503GT	NUT,LOCKING-LG.FLANGE,5/16-18					
17	47569GT	HINGE,11"X 2.5"X.44".....1	1				



205.1 Ground Control Module Components (to serial number GR08-11439)

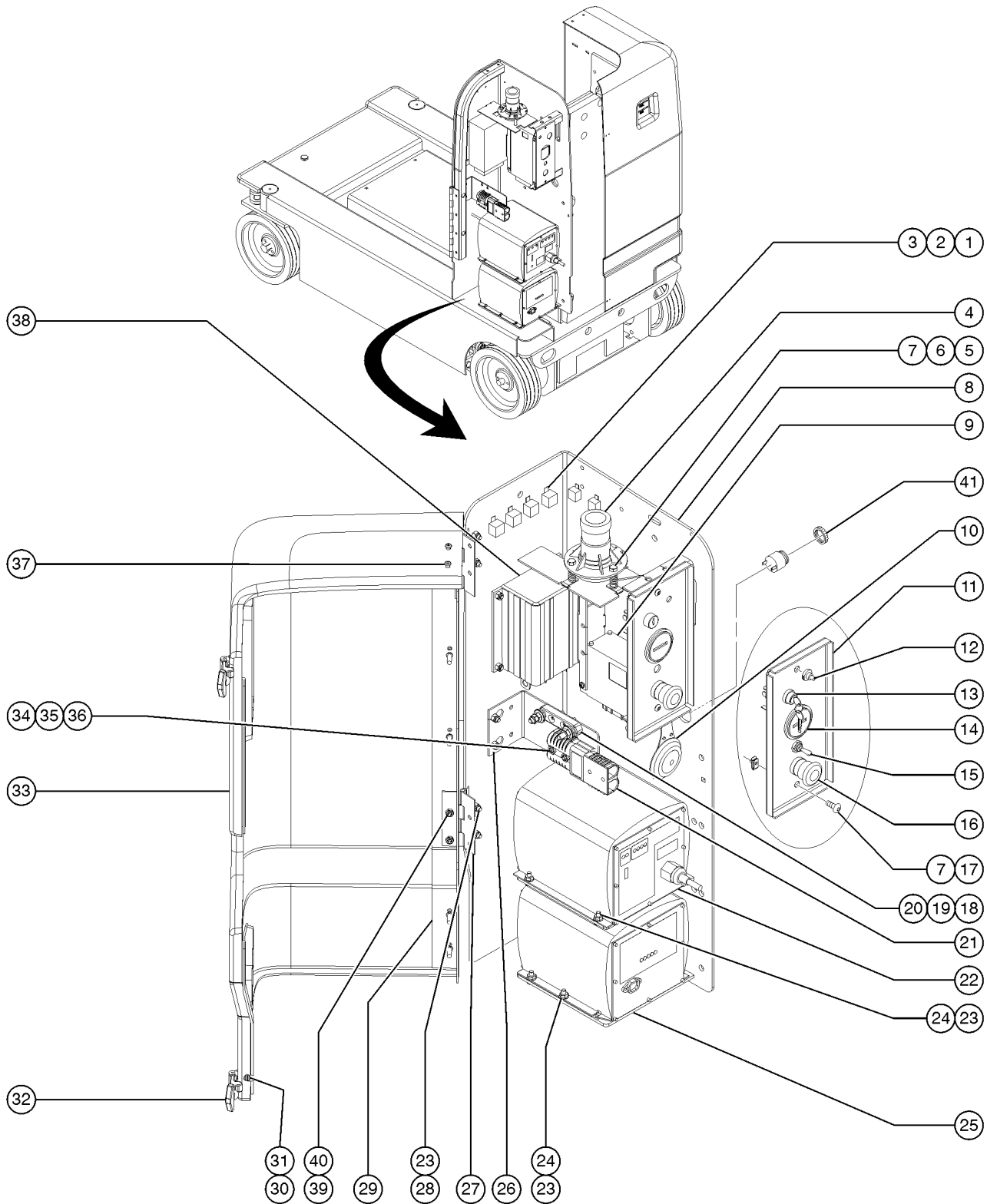


205.1 Ground Control Module Components (to serial number GR08-11439)

Item	Part No.	Description	Qty.	Item	Part No.	Description	Qty.
1	78098GT	RELAY,24VDC,40/30A,SLD W/BRKT*.....1 <i>(ANSI and CSA)</i>		26	145284GT	FORMING,FUSE BRACKET.....1	
1A	78098GT	RELAY,24VDC,40/30A,SLD W/BRKT*.....4 <i>(CE)</i>		27	47569GT	HINGE,11"X 2.5"X.44".....1 <i>(to SN 11439) (shown)</i>	
2	55906GT	SCREW,PHILLIPS,PHM,8-32 X .5		27A	105573GT	HINGE,ACCESS DOOR*** <i>(from SN 11440) (use with cover update kit, 124245 or 124247) (refer to 205.2)</i>	
3	18605GT	NUT,NYLOCK,8-32		28	6091GT	NUT,NYLOCK,1/4-20	
4	105142GT	LEVEL SENSOR,LS60,RED,1.5 DIA.....1		29	109507GT	FORMING, COVER SUPPORT.....1 <i>(to SN 11439) (shown)</i>	
4	124449GT	TILT SENSOR TEST TOOL.....1		29A	124232GT	WELDMENT,COVER SUP.CONT <i>(from SN 11440) (use with cover update kit, 124245 or 124247) (refer to 205.2)</i>	
5	6637GT	SCREW,HHC,1/4-20 X 1.75		30	12344GT	NUT,NYLOCK,6-32	
6	39469GT	SPRING,COMPRESSION.485 X1.75**		31	45546GT	SCREW,RHM,6-32 X .5	
7	56912GT	SPRING CLIP,1/4-20,.025-.15X.54,ZAG		32	57881GT	LATCH, RUBBER, 3-13/32 X 1-7/8.....2	
8	100557GT	WELDMENT, SUB. ELE. TRAY		33	124245GT	KIT,GR COVERS AND EMBLEM WORD <i>USA, Canada, Australia (update kit) (includes covers for both ground controls and power unit sides)</i>	
9	100839GT	ECU,SLAB/GR GEN 5***.....1		33A	124247GT	KIT,GR COVERS AND EMBLEM SYMB <i>Europe, Asia, South America (update kit) (includes covers for both ground controls and power unit sides)</i>	
--	39520GT	RECEPTACLE,FEMALE,36 CONTACT		34	66094GT	NUT-THIN HEAVY HEX, 1/4-20	
--	39521GT	RECEPTACLE,ANTI-BACKOUT		35	6356GT	WASHER,LOCK,.25	
--	39673GT	CONTACT,14-20GA.		36	8915GT	SCREW,HHC,1/4-20 X 1.25	
--	51577GT	RECEPTACLE,FEMALE 18 CONT.		37	7265GT	RIVET,STEEL,P. .25 X .375	
--	51578GT	RECEPTACLE ANTIBACKOUT,18 CONT		38A	1257203GT	KIT,MTR CNTRLR REPLACEMENT,GR%.....1 <i>kit includes installation instructions, new motor controller (PN 823408), harness, battery cables, and new fasteners.</i>	
10	81579GT	HORN,24VDC,SPADE TERMINALS*** ....1		38B	232580GT	HARNESS,DIODE JUMPER	
11	107135GT	GRND CONTROL PANEL ASSY,GR.....1		38C	232573GT	RESISTOR, 200 OHM 10 WATT	
12	96452GT	CIRCUIT BREAKER,7.0 AMP***.....1		38D	823408GT	MOTOR CONTROLLER, DC,24V,300A <i>motor controllers sold separately only in cases where upgrade kits are N/A or an upgrade kit has been previously installed</i>	
13	96008-SGT	KEYSWITCH,3 POS. W/KEYS***.....1		--	232848GT	CONTACTOR ASSY,GR	
--	37947GT	KEYS,10 PACK***		38E	232535GT	KIT,CONTACTOR,GR	
--	83093GT	KEY SINGLE***		--	232848GT	CONTACTOR ASSY,GR	
--	85239GT	NUT,RETAINER (96008)		38F	1257035GT	KIT,BATT. CABLE ASSY., GR	
--	96009GT	WASHER,NITRILE		39	80058GT	SCREW,PHP,1/4-20 X .875	
--	96010GT	SCREW,PHILLIPS,PHM,8-32 X.25**		40	4512GT	SPACER,NYL .25 X .69 X .25	
14	19506GT	HOUR METER,10-80 VOLTS***.....1		41	6889GT	NUT,LP NYLOCK,1/4-20	
15	T114691GT	ASSY,SWITCH,TOGGLE,SPDT*****.....1 <i>(direct replacement for 96418)</i>		42	39540GT	ALARM,STEADY TONE***.....1 <i>Does not include 72326 nut</i>	
16	66812GT	BUTTON,PUSH,RED MUSHROOM HEAD.....1		--	72326GT	NUT - PLASTIC,RING FOR ALARMS	
--	66817GT	BASE WITH 1 NC CONTACT, E-STOP					
--	66818GT	CONTACT,NC					
17	14297GT	SCREW,BHHS,1/4-20 X .75					
18	66717GT	FUSE BLOCK, ANN & ANL FUSE.....1 <i>(includes mounting fasteners)</i>					
--	40833GT	FUSE,275 AMP,VERY FAST ACTING					
19	6873GT	SCREW,FHM,10-32 X 1					
20	6178GT	NUT,NYLOCK,10-32					
21	66398GT	TERM CONTACT,#1/0 GA,SB175					
22	96950GT	INVERTER,24VDC,110/230 VAC***					
23	6878GT	BOLT,CARRIAGE,1/4-20 X .75,G2					
24	18504GT	NUT,LOCKING-LG.FLANGE,1/4-20					
25		Ref. BATTERY CHARGER <i>(refer to 207.1)</i>					



205.2 Ground Control Module Components (from serial number GR08-11440)

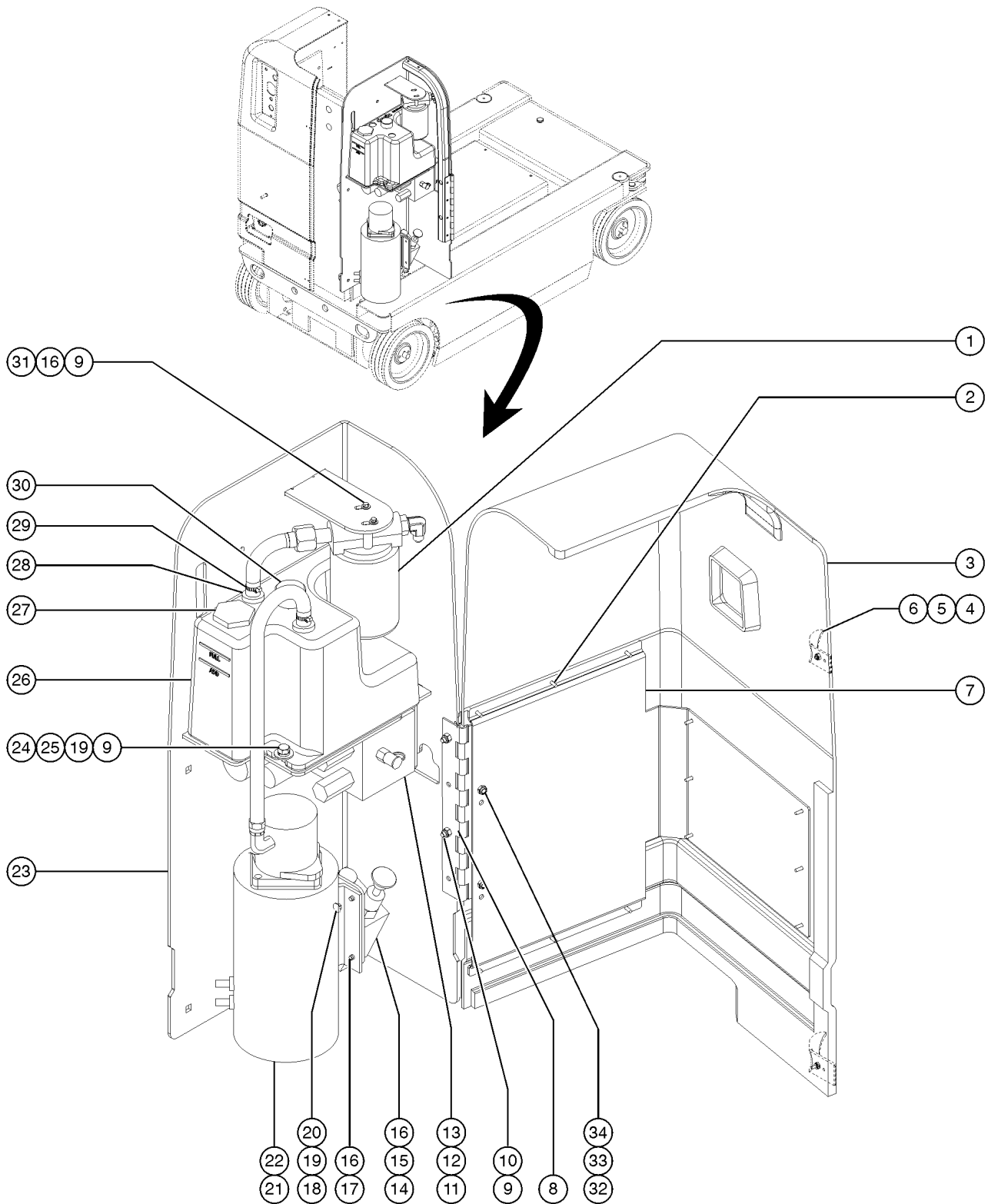


205.2 Ground Control Module Components (from serial number GR08-11440)

Item	Part No.	Description	Qty.	Item	Part No.	Description	Qty.
1	78098GT	RELAY,24VDC,40/30A,SLD W/BRKT*.....1 (ANSI, CSA)	1	23	6878GT	BOLT,CARRIAGE,1/4-20 X .75,G2	
1A	78098GT	RELAY,24VDC,40/30A,SLD W/BRKT*.....4 (CE)	4	24	18504GT	NUT,LOCKING-LG.FLANGE,1/4-20	
2	55906GT	SCREW,PHILLIPS,PHM,8-32 X .5		25		Ref. Battery Charger (refer to 207.1)	
3	18605GT	NUT,NYLOCK,8-32		26	145284GT	FORMING,FUSE BRACKET.....1	
4	105142GT	LEVEL SENSOR,LS60,RED,1.5 DIA.....1		27	105573GT	HINGE,ACCESS DOOR*** .....2	
4	124449GT	TILT SENSOR TEST TOOL.....1		28	6091GT	NUT,NYLOCK,1/4-20	
5	6637GT	SCREW,HHC,1/4-20 X 1.75		29	124232GT	WELDMENT,COVER SUP.CONT.....1	
6	39469GT	SPRING,COMPRESSION.485 X1.75**		30	12344GT	NUT,NYLOCK,6-32	
7	56912GT	SPRING CLIP,1/4-20,.025-.15X.54,ZAG		31	45546GT	SCREW,RHM,6-32 X .5	
8	100537GT	PLATE, LOADSENSE SUPPORT, SIDE.....1 (to SN GR08-11439)	1	32	57881GT	LATCH, RUBBER, 3-13/32 X 1-7/8.....2	
8A	124224GT	WELDMENT,GROUND CONTROLS TRAY (from SN GR08-11440)		33A	124485GT	GRND CONTROL COVER ASSY,WORDS (from SN GR08-11440) (ANSI) (ground controls side)	
9	100839GT	ECU,SLAB/GR GEN 5***.....1	1	33B	124486GT	GRND CONTROL COVER ASSY,SYMB (from SN GR08-11440) (CE) (ground controls side)	
--	39520GT	RECEPTACLE,FEMALE,36 CONTACT		34	66094GT	NUT-THIN HEAVY HEX, 1/4-20	
--	39521GT	RECEPTACLE,ANTI-BACKOUT		35	6356GT	WASHER,LOCK,.25	
--	39673GT	CONTACT,14-20GA.		36	8915GT	SCREW,HHC,1/4-20 X 1.25	
--	51577GT	RECEPTACLE,FEMALE 18 CONT.		37	7265GT	RIVET,STEEL,P .25 X .375	
--	51578GT	RECEPTACLE ANTIBACKOUT,18 CONT		38A	1257203GT	KIT,MTR CNTRLR REPLACEMENT,GR%.....1 <i>kit includes installation instructions, new motor controller (PN 823408), harness, battery cables, and new fasteners.</i>	
10	81579GT	HORN,24VDC,SPADE TERMINALS*** .....1	1	38B	232580GT	HARNESS,DIODE JUMPER	
11	107135GT	GRND CONTROL PANEL ASSY,GR.....1 (includes decal)	1	38C	232573GT	RESISTOR, 200 OHM 10 WATT	
12	96452GT	CIRCUIT BREAKER,7.0 AMP*** .....1	1	38D	823408GT	MOTOR CONTROLLER, DC,24V,300A <i>motor controllers sold separately only in cases where upgrade kits are N/A or an upgrade kit has been previously installed</i>	
13	96008-SGT	KEYSWITCH,3 POS. W/KEYS*** .....1	1	38E	232535GT	KIT,CONTACTOR,GR	
--	37947GT	KEYS,10 PACK***		--	232848GT	CONTACTOR ASSY,GR	
--	83093GT	KEY SINGLE***		38F	1257035GT	KIT,BATT. CABLE ASSY., GR	
--	85239GT	NUT,RETAINER (96008)		39	80058GT	SCREW,PHP,1/4-20 X .875	
--	96009GT	WASHER,NITRILE		40	6889GT	NUT,LP NYLOCK,1/4-20	
--	96010GT	SCREW,PHILLIPS,PHM,8-32 X.25**		41	39540GT	ALARM,STEADY TONE*** .....1 <i>Does not include 72326 nut</i>	
14	19506GT	HOUR METER,10-80 VOLTS*** .....1	1	--	72326GT	NUT - PLASTIC,RING FOR ALARMS	
15	T114691GT	ASSY,SWITCH,TOGGLE,SPDT***** .....1	1				
16	66812GT	BUTTON,PUSH,RED MUSHROOM HEAD					
--	66817GT	BASE WITH 1 NC CONTACT, E-STOP					
--	66818GT	CONTACT,NC					
17	14297GT	SCREW,BHHS,1/4-20 X .75					
18	66717GT	FUSE BLOCK, ANN & ANL FUSE.....1 (includes mounting fasteners)	1				
--	40833GT	FUSE,275 AMP,VERY FAST ACTING					
19	6873GT	SCREW,FHM,10-32 X 1					
20	6178GT	NUT,NYLOCK,10-32					
21	66398GT	TERM CONTACT,#1/0 GA,SB175.....1	1				
22	96950GT	INVERTER,24VDC,110/230 VAC***.....1	1				



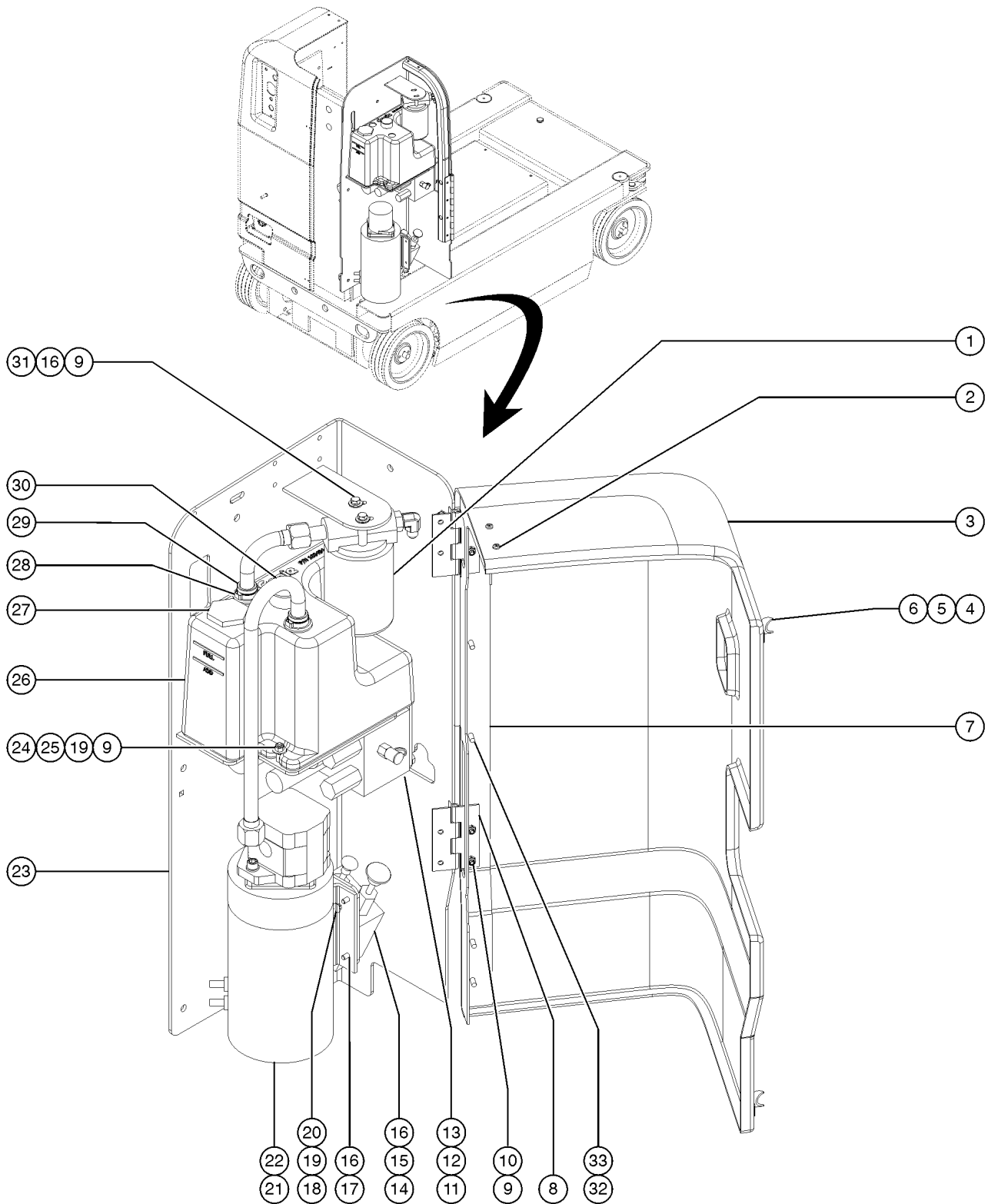
206.1 Power Unit Components (to serial number GR08-11439)



206.1 Power Unit Components (to serial number GR08-11439)

Item	Part No.	Description	Qty.	Item	Part No.	Description	Qty.
1	78622GT	FILTER ASSY,SAE8,10 MIC,PAPR**.....1		28	96709GT	GROMMET,SLAB HYD TANK***.....2	
--	44207GT	FILTER ELEMENT,BETA(10)=200 <i>(fiberglass, optional upgrade)</i>		29	96855GT	CLAMP,HOSE,1 EAR,1-1/16***.....1	
--	44788GT	FILTER ELEMENT,10MICRON,PAPER* <i>(paper, standard)</i>		30	78546GT	BREATHER CAP, HYD. TANK, 1/4 NPT.....1	
2	7265GT	RIVET,STEEL,P .25 X .375		31	6090GT	SCREW,HHC,1/4-20 X .75	
3	124245GT	KIT,GR COVERS AND EMBLEM WORD.....1 <i>USA, Canada, Australia (update kit) (includes covers for both ground controls and power unit sides)</i>		32	80058GT	SCREW,PHP,1/4-20 X .875	
3A	124247GT	KIT,GR COVERS AND EMBLEM SYMB <i>Europe, Asia, South America (update kit) (includes covers for both ground controls and power unit sides)</i>		33	4512GT	SPACER,NYL .25 X .69 X .25	
4	57881GT	LATCH, RUBBER, 3-13/32 X 1-7/8.....2		34	6889GT	NUT,LP NYLOCK,1/4-20	
5	45546GT	SCREW,RHM,6-32 X .5					
6	12344GT	NUT,NYLOCK,6-32					
7		Ref. Cover Support <i>(refer to 205.1)</i>					
8	47569GT	HINGE,11"X 2.5"X.44".....1					
9	6091GT	NUT,NYLOCK,1/4-20					
10	6878GT	BOLT,CARRIAGE,1/4-20 X .75,G2					
11		Ref. FUNCTION MANIFOLD <i>(refer to 402.1)</i>					
12	6175GT	SCREW,HHC,3/8-16 X 1					
13	6021GT	WASHER,LOCK,.375					
14		Ref. BRAKE RELEASE MANIFOLD <i>(refer to 403.1)</i>					
15	6884GT	SCREW,HHC,1/4-20 X 2.5					
16	6356GT	WASHER,LOCK,.25					
17	8914GT	SCREW,HHC,1/4-20 X .625					
18	96905GT	BOLT,CARRIAGE,1/4-20 X 2.5,G2					
19	6638GT	WASHER,FLAT,USS,1/4"Y					
20	6889GT	NUT,LP NYLOCK,1/4-20					
21		Ref. MOTOR <i>(refer to 401.1)</i>					
22		Ref. GEAR PUMP <i>(refer to 401.1)</i>					
23	100525GT	WELDMENT, HYDRAULIC TRAY.....1 <i>(power unit side) (USA, Canada, Australia, Asia and South America)</i>					
23A	107358GT	POWER UNIT TRAY ASSY W/SYMBOLS <i>(power unit side) (Europe)</i>					
24	9116GT	BOLT,CARRIAGE,1/4-20 X 1.25,G2					
25	96699GT	SLEEVE,TANK SUPPORT.....3					
26	100484GT	HYD. TANK, POLYETHELENE.....1					
27	66204GT	FILTER CAP (PLUG 1-1/2" NPT HEX.....1					

206.2 Power Unit Components (from serial number GR08-11440)

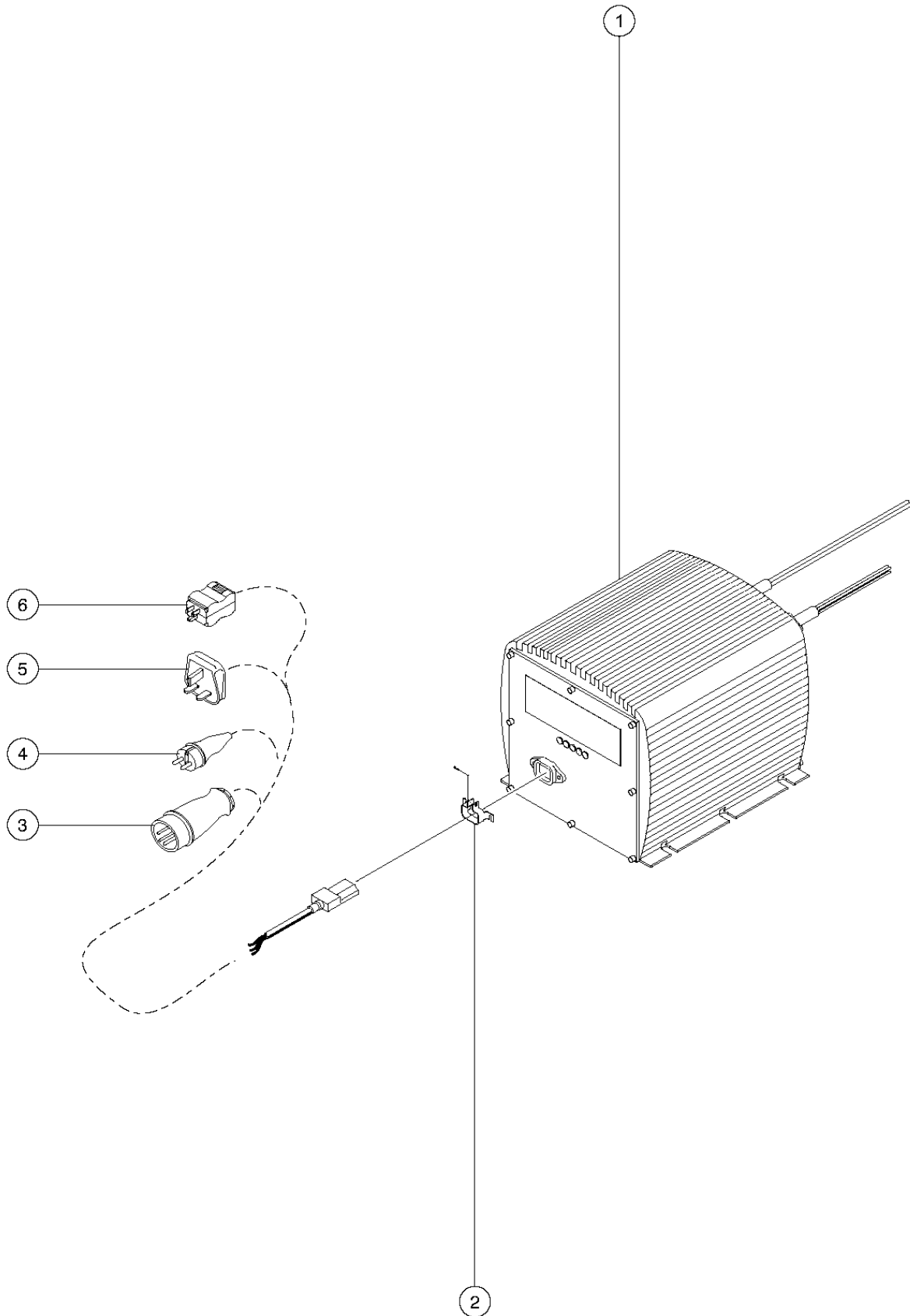


206.2 Power Unit Components (from serial number GR08-11440)

Item	Part No.	Description	Qty.	Item	Part No.	Description	Qty.
1	78622GT	FILTER ASSY,SAE8,10 MIC,PAPR**.....1		32	80058GT	SCREW,PHP,1/4-20 X .875	
--	44207GT	FILTER ELEMENT,BETA(10)=200 <i>(fiberglass, optional upgrade)</i>					
--	44788GT	FILTER ELEMENT,10MICRON,PAPER* <i>(paper, standard)</i>					
2	7265GT	RIVET,STEEL,P .25 X .375					
3	124488GT	POWER UNIT COV ASSY W/SYMB DEC <i>(power unit side, CE)</i>					
3A	124487GT	POWER UNTI COV ASSY W/WORD DEC <i>(power unit side, ANSI)</i>					
4	57881GT	LATCH, RUBBER, 3-13/32 X 1-7/8.....2					
5	45546GT	SCREW,RHM,6-32 X .5					
6	12344GT	NUT,NYLOCK,6-32					
7	124233GT	WELDMENT,COVER SUP.HYD.....1					
8	105573GT	HINGE,ACCESS DOOR***.....2					
9	6091GT	NUT,NYLOCK,1/4-20					
10	6878GT	BOLT,CARRIAGE,1/4-20 X .75,G2					
11		Ref. FUNCTION MANIFOLD <i>(refer to 402.1)</i>					
12	6175GT	SCREW,HHC,3/8-16 X 1					
13	6021GT	WASHER,LOCK,.375					
14		Ref. BRAKE RELEASE MANIFOLD <i>(refer to 403.1)</i>					
15	6884GT	SCREW,HHC,1/4-20 X 2.5					
16	6356GT	WASHER,LOCK,.25					
17	8914GT	SCREW,HHC,1/4-20 X .625					
18	96905GT	BOLT,CARRIAGE,1/4-20 X 2.5,G2					
19	6638GT	WASHER,FLAT,USS,1/4"Y					
20	6889GT	NUT,LP NYLOCK,1/4-20					
21		Ref. MOTOR <i>(refer to 401.1)</i>					
22		Ref. GEAR PUMP <i>(refer to 401.1)</i>					
23	124225GT	WELDMENT,HYDRAULIC TRAY <i>(power unit side, USE, Canada, Australia, Asia South America)</i>					
23A	124489GT	POWER UNIT TRAY ASSY W/SYMBOLS <i>(power unit side, Europe)</i>					
24	9116GT	BOLT,CARRIAGE,1/4-20 X 1.25,G2					
25	96699GT	SLEEVE,TANK SUPPORT.....3					
26	100484GT	HYD. TANK, POLYETHELENE.....1					
27	66204GT	FILTER CAP (PLUG 1-1/2" NPT HEX....1					
28	96709GT	GROMMET,SLAB HYD TANK***.....2					
29	96855GT	CLAMP,HOSE,1 EAR,1-1/16***.....1					
30	78546GT	BREATHER CAP, HYD. TANK, 1/4 NPT.....1					
31	6090GT	SCREW,HHC,1/4-20 X .75					



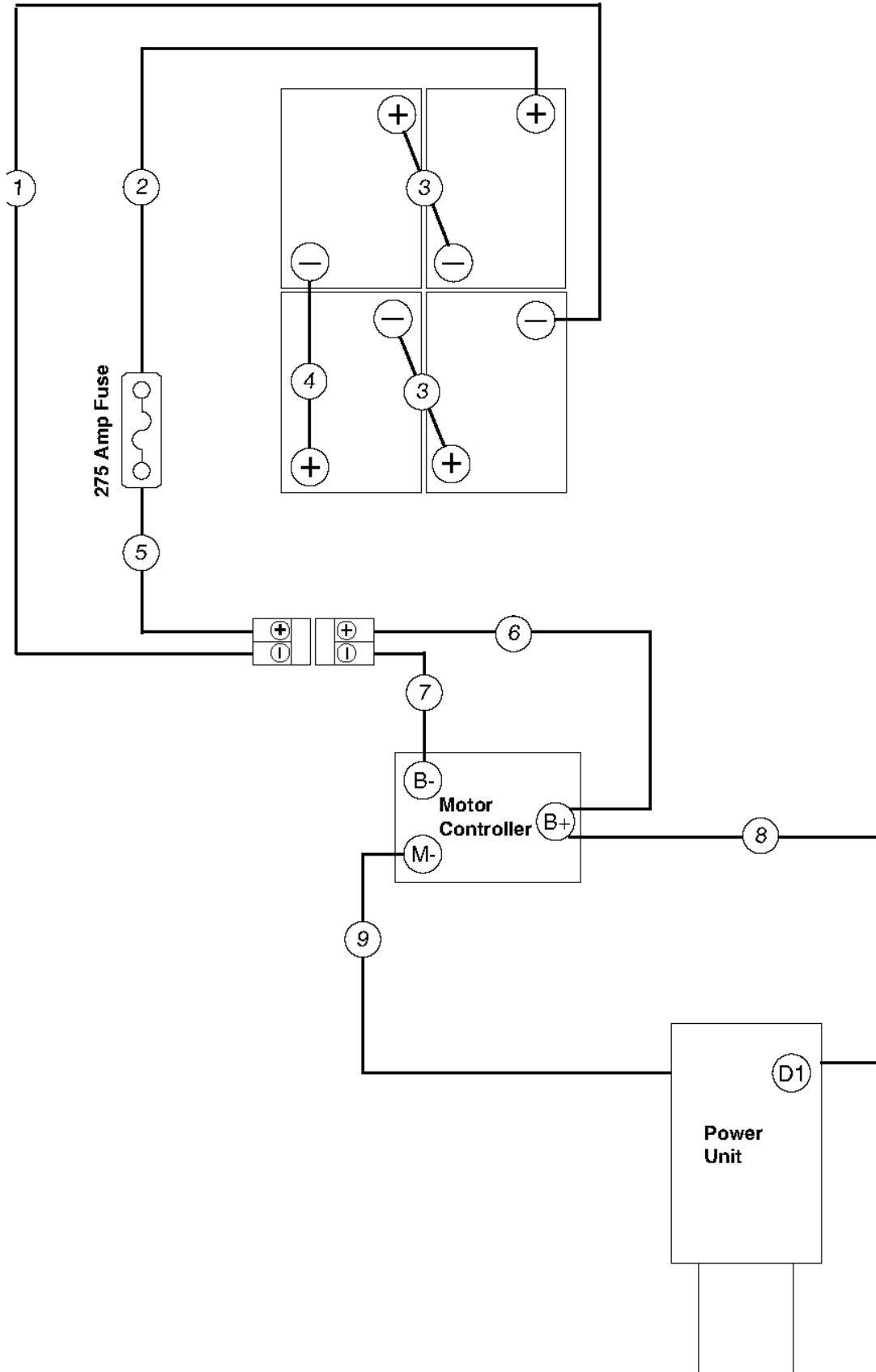
207.1 Battery Charger



207.1 Battery Charger

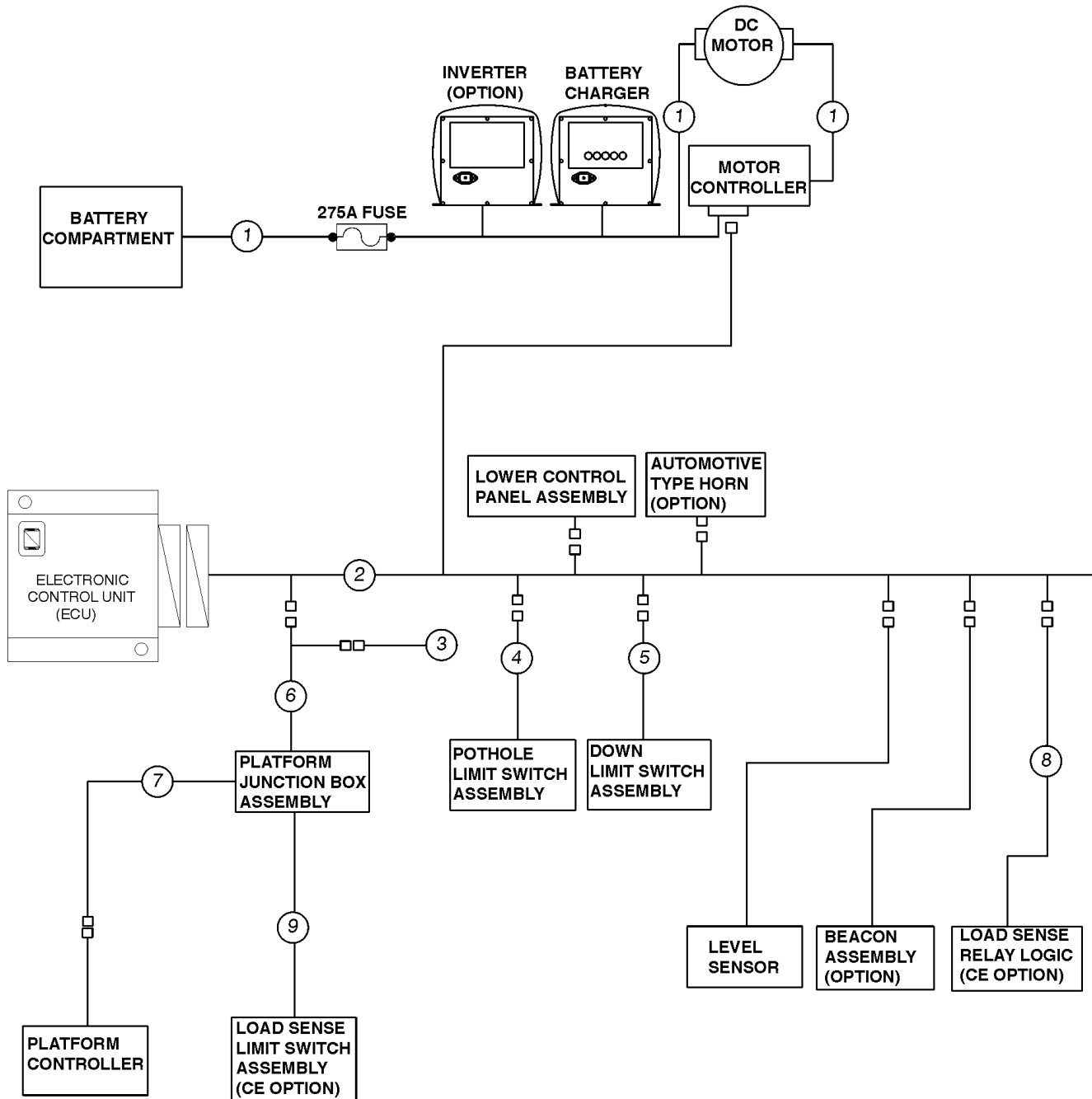
Item	Part No.	Description	Qty.
--	97059GT	FUSE,BATTERY CHARGER*** <i>for 5-LED battery charger</i>	
1A	105739GT	CHARGER,BAT,24VDC,H/LO GEN2.....1	
--	105334GT	CONNECTOR, IEC CHARGER CORD	
--	144180GT	MANUAL,OWNERS,CHARGER,105739	
1B	219480GT	KIT,BATTERY CHARGER,24V <i>(includes 105739 charger, fasteners, ring terminals and instructions for field installation)</i>	
2	55010GT	LOCK, CONNECTOR.....1 <i>(includes fasteners)</i>	
3	71706GT	POWER CORD, UK 110, 115".....1	
4	55019GT	POWER CORD,NOVON, 8"	
5	55018GT	POWER CORD,UK-HIGH VOLTAGE, 8"	
6	55021GT	POWER CORD,US 110, 8"	

208.1 Power Cables



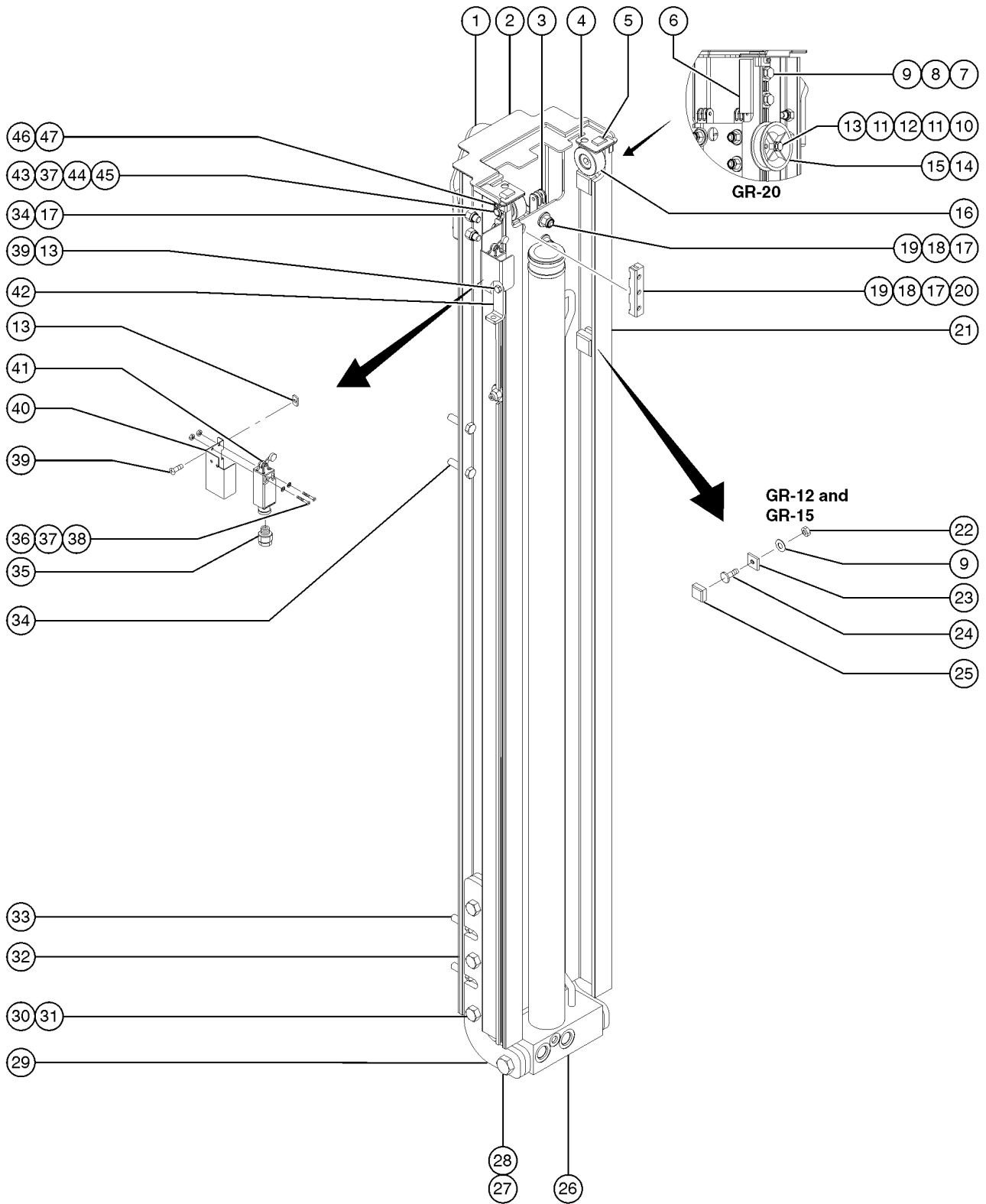
Item	Part No.	Description	Qty.
A	100801GT	BATTERY CABLE ASSY, GR <i>(complete)</i>	
B	826935GT	BATTERY CABLE ASSY, GR <i>(complete)</i>	
C		Ref. Fuse, 275A <i>(refer to 205.1)</i>	
D		Ref. Quick Disconnect <i>(refer to 205.1)</i>	
E	1257035GT	KIT,BATT. CABLE ASSY., GR.....1 <i>(include items 6B, 7B, 8B and 9B)</i>	
1	100732GT	CABLE ASSY, BATT TO ANDERSON.....1 <i>(black)</i>	
2	100730GT	CABLE ASSY, BATT TO FUSE.....1 <i>(red)</i>	
3	100728GT	CABLE ASSY,BATT,5.50"RED.....2	
4	100729GT	CABLE ASSY,BATT, 10" RED.....1	
5	100731GT	CABLE ASSY, FUSE TO ANDERSON...1 <i>(red)</i>	
6A	100733GT	CABLE ASSY, ANDERSON TO MC/RED.....1	
6B	1257065GT	CABLE ASSY.,BATT. 14",4AWG RD.....1 <i>(for units with kit 1257203 installed)</i>	
7A	100734GT	CABLE ASSY, ANDERSON TO MC,BLK.....1	
7B	1257064GT	CABLE ASSY., BATT. 27" BLACK.....1 <i>(for units with kit 1257203 installed)</i>	
8A	100735GT	CABLE ASSY,BATT,50.0"RED.....1	
8B	1257062GT	CABLE ASSY., BATT. 64" RED.....1 <i>(for units with kit 1257203 installed)</i>	
9A	100736GT	CABLE ASSY,BATT,52.0"BLK.....1	
9B	1257063GT	CABLE ASSY., BATT. 62" BLACK.....1 <i>(for units with kit 1257203 installed)</i>	

209.1 Electrical Wiring



Item	Part No.	Description	Qty.
--		Ref. Fuse Holder <i>(refer to 205.1)</i>	
--		Ref. Quick Disconnect <i>(refer to 205.1)</i>	
1		Ref. Battery Cable Assembly <i>(refer to 208.1)</i>	
2	100698GT	HARNESS, ECU, GR ANSI.....1 <i>ANSI and CSA</i>	
2A	100929GT	HARNESS, ECU, GR CE <i>CE</i>	
3	100782GT	POWER CABLE, GR BASE, DOMESTIC.....1 <i>ANSI and CSA</i>	
3A	100931GT	POWER CABLE GR BASE,FOREIGN <i>CE</i>	
4	100754GT	ASSY, POTHOLE HARNESS, GR.....1	
5	100780GT	WIRE ASSY, DOWN LIMIT SW.....1	
6	100775GT	CABLE ASSEMBLY,GR12.....1 <i>GR-12 (to SN GR07-9837)</i>	
6A	124452GT	WIRE HARNESS ASSY,CONTROL CABL <i>GR-12 (from SN GR07-9838)</i>	
6B	100776GT	WIRE HARNESS ASSY, CONTROL CABLE <i>GR-15</i>	
6C	100755GT	WIRE HARNESS ASSY, CONTROL CABLE <i>GR-20 (to SN GR07-9837)</i>	
6D	124453GT	WIRE HARNESS ASSY, CONTROL CABLE <i>GR-20 (from SN GR07-9838)</i>	
7	100832GT	WIRE ASSY, STKPRK PLAT. GR.....1	
7A	100864GT	WIRE ASSY, STD/EXT PLAT. GR	
8	100763GT	ASSY,HARNESS, RELAY, CE, GR.....1	
9	100765GT	SWITCH ASSY,LIMIT,LOAD SENSE.....1 <i>CE</i>	

301.1 Number 1 Column Assembly



301.1 Number 1 Column Assembly

Item	Part No.	Description	Qty.	Item	Part No.	Description	Qty.
--	90337GT	BOE LUBE.....1 <i>aluminum dry lubricant</i>	1	17	6022GT	NUT,HEX,3/8-16	
1	107023GT	LIFTING EYE ASSEMBLY.....1 <i>(direct replacement of p/n 107138)</i>	1	18	5397GT	WASHER,FLAT,USS,5/16",Y	
2		Ref. Mast Cover, Number 1 Column <i>(refer to 311.1)</i>		19	35714GT	SCREW,FHS,3/8-16 X 2.25	
3		Ref. Upper Chain Terminal, Number 1 Column <i>(refer to 307.1, 308.1 and 309.1)</i>		20	35709GT	BLOCK,SLIDE,UPPER.....2 <i>GR-12</i>	
4	100778GT	PLATE, MAST FLAP CLAMP.....4 <i>GR-12</i>	4	20A	35709GT	BLOCK,SLIDE,UPPER.....3 <i>GR-15</i>	
4A	100778GT	PLATE, MAST FLAP CLAMP.....6 <i>GR-15</i>	6	21	100711GT	COLUMN #1 MACHINED, 57.....1 <i>GR-12, GR-15</i>	
4B	100778GT	PLATE, MAST FLAP CLAMP.....8 <i>GR-20</i>	8	21A	100380GT	COL 1 MACHINED, 72.5 <i>GR-20</i>	
5	38730GT	NUT,WELD,ANGLE,1/4" T-SLOT.....4 <i>GR-12</i>	4	22	4828GT	NUT,NYLOCK,3/8-16	
5A	38730GT	NUT,WELD,ANGLE,1/4" T-SLOT.....6 <i>GR-15</i>	6	22	6022GT	NUT,HEX,3/8-16	
5B	38730GT	NUT,WELD,ANGLE,1/4" T-SLOT.....8 <i>GR-20</i>	8	23	38013GT	SHIM NUT,ADJUSTER.....4 <i>GR-12, GR-15</i>	
6	100379GT	BLOCK, MAST SLIDER, GR20.....2 <i>GR-20</i>	2	24	40946GT	BOLT,SHIM.....4 <i>GR-12, GR-15</i>	
7	6175GT	SCREW,HHC,3/8-16 X 1 <i>GR-20</i>		25	38011GT	SHIM,SIDE PAD.....4 <i>GR-12, GR-15</i>	
8	6021GT	WASHER,LOCK, .375 <i>GR-20</i>		26		Ref. Lift Cylinder <i>(refer to 401.1)</i>	
9	6097GT	WASHER,FLAT,USS,3/8",Y		27	1268235GT	SCREW,HHC,5/8-11 X 8.00	
10	8915GT	SCREW,HHC,1/4-20 X 1.25 <i>GR-20</i>		28	38028GT	NUT,LP NYLOCK,5/8-11	
11	25926GT	WASHER,FLAT,M6 PLTD. <i>GR-20</i>		29	100483GT	PLATE, CYLINDER MOUNT.....4	
12	22699GT	WASHER,FLAT,M10,ZINC PLTD. <i>GR-20</i>		30	38601GT	SCREW,HHC,1/2-13 X 7.5	
13	35991GT	NUT,WELD 1/4-20, PLATED L.L.**		31	6086GT	NUT,LP NYLOCK,1/2-13	
14	23394GT	PULLEY,ELEC.CNTRL.CABLE,AWP.....3 <i>GR-12</i>	3	32	107131GT	MAST STIFFENER ASSY, GR12/15.....1	
14A	23394GT	PULLEY,ELEC.CNTRL.CABLE,AWP.....4 <i>GR-15</i>	4	32A	107132GT	MAST STIFFENER ASSY,GR20 <i>GR-20</i>	
14B	23394GT	PULLEY,ELEC.CNTRL.CABLE,AWP.....5 <i>GR-20</i>	5	33	6019GT	SCREW,HHC,3/8-16 X 1.25 GRD 5	
15	40735GT	SPACER, 1/4ID3/8OD, .875LG <i>GR-20</i>		34	8516GT	SCREW, HCC, 3/8-16 X 1.50	
16	38016GT	ROLLER,PLASTIC,AWP96**.....16 <i>GR-12</i>	16	35A	7056GT	CONN, SQZ, 1/2NPT .38-.50, SM**.....1 <i>for limit switch 25050</i>	
16A	38016GT	ROLLER,PLASTIC,AWP96**.....12 <i>GR-15</i>	12	35B	87561GT	CABLE SQUEEZE CONN 2 WIRE <i>for limit switch 96948</i>	
16B	38016GT	ROLLER,PLASTIC,AWP96**.....4 <i>GR-20</i>	4	36	51063GT	SCREW,PHILLIPS,RHM,10-32 X 1.5 <i>GR-12, GR-15 and GR-20 (from S/N GR09-13837)</i>	
17	4828GT	NUT,NYLOCK,3/8-16		37	6607GT	WASHER,LOCK,#10 PLTD	
				38	15513GT	NUT,HEX,10-32	
				39	11808GT	SCREW,HHC,1/4-20 X .375	
				40	69575GT	COVER,LIMIT SWITCH W/DECAL GR...1	
				41	96948GT	SWITCH,LIMIT,W/ROLLER ARM*** .....1	
				--	19491GT	CONTACTOR,LIMIT SWITCH	
				--	97128GT	ROLLER ARM,LIMIT SWITCH***	
				42		Ref. Upper Sequencing Cable Bracket <i>(refer to 310.1)</i>	

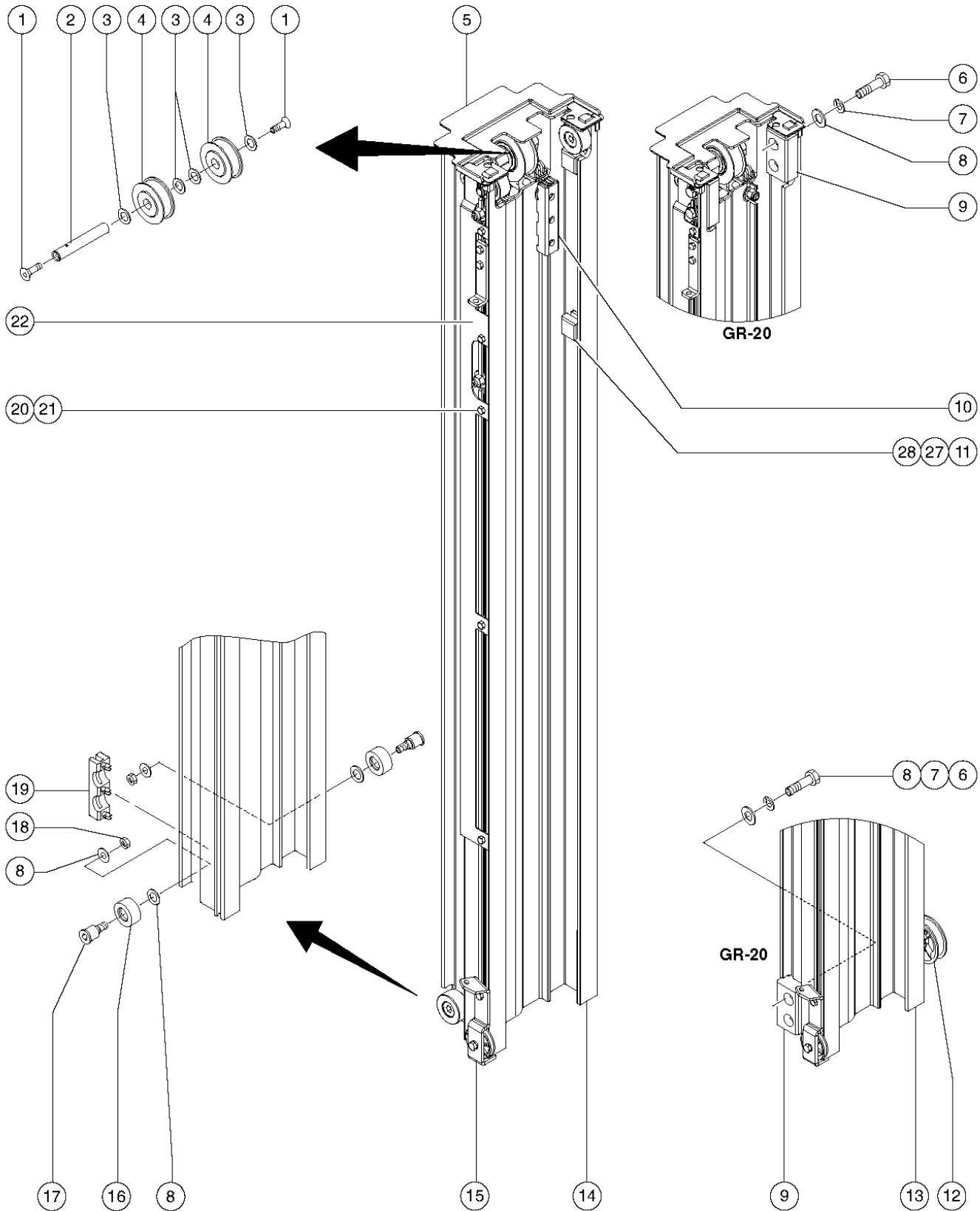


301.1 Number 1 Column Assembly  
(continued)

Item	Part No.	Description	Qty.
43	7713GT	NUT, LP NYLOCK, 3/8-16	
44	6052GT	WASHER, SHIM, .5 X .875 X .063	
45	35706GT	BOLT, ROLLER, .470" (SHORT)	
46	40004GT	SCREW, SHC, 1/4-20 X .375 BLK	
47	41055GT	WASHER, T-SLOT	

*This Page Intentionally Left Blank*

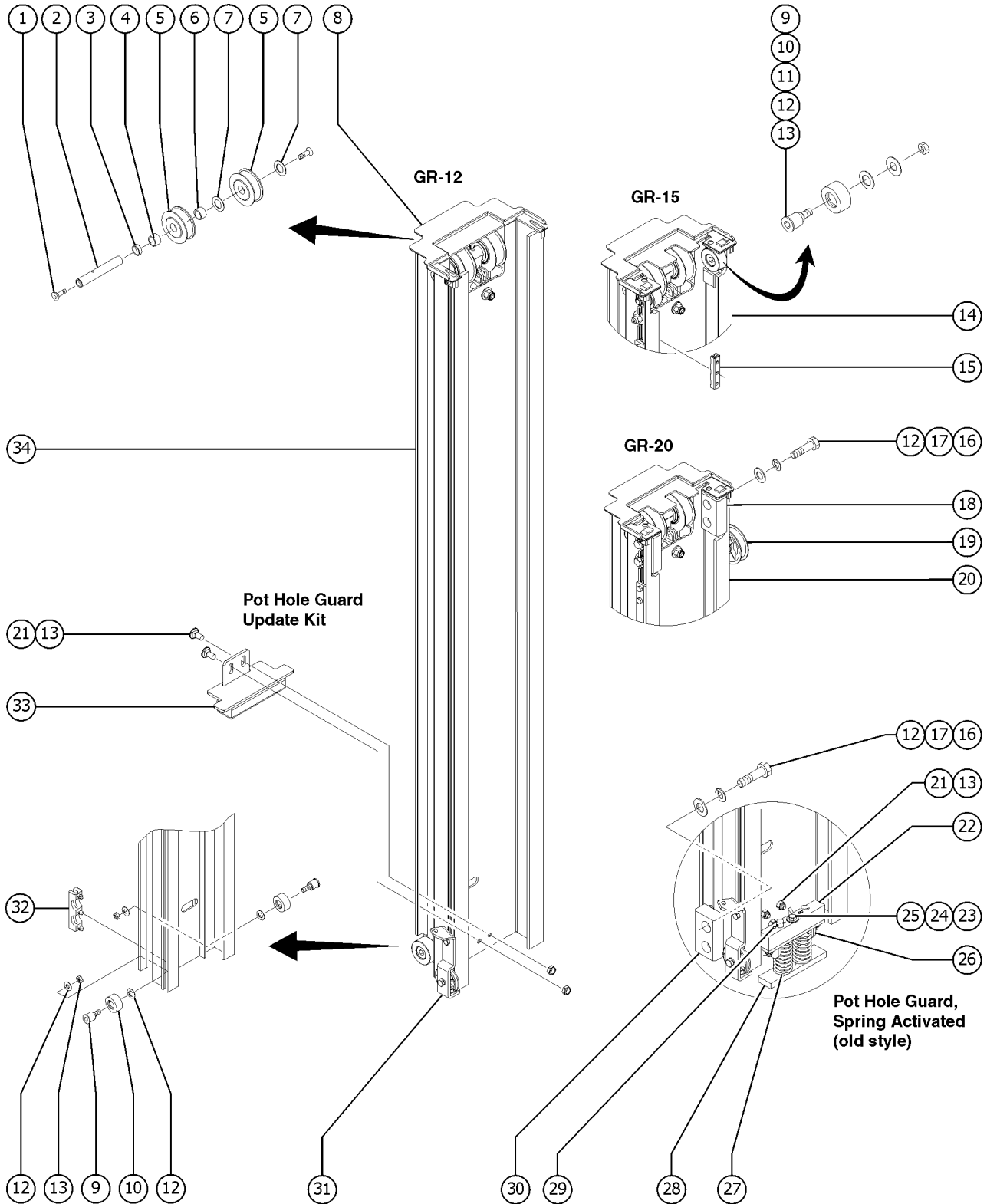
302.1 Number 2 Column Assembly



## 302.1 Number 2 Column Assembly

Item	Part No.	Description	Qty.
1	45425GT	SCREW,FHS,3/8-16 X .75	
2	35707GT	SHAFT,LIFTING CHAINS,20MM DIA.....2 GR-12	
2A	35707GT	SHAFT,LIFTING CHAINS,20MM DIA.....3 GR-15	
2B	35707GT	SHAFT,LIFTING CHAINS,20MM DIA.....4 GR-20	
3	38709GT	WASHER,SHIM,,938 X 1.37 X .048	
4	38447GT	PULLEY W/BEARINGS.....2	
5		Ref. Mast Cover, Column Number 2 (refer to 311.1)	
6	6175GT	SCREW,HHC,3/8-16 X 1 GR-20	
7	6021GT	WASHER,LOCK,,.375 GR-20	
8	6097GT	WASHER,FLAT,USS,3/8",Y	
9	100379GT	BLOCK, MAST SLIDER, GR20.....16 GR-20	
10		Ref. Upper Slider Block (refer to 301.1)	
11	38011GT	SHIM,SIDE PAD.....4	
12		Ref. Control Cable Pulley (refer to 312.1 and 313.1)	
13	100381GT	COL 2 MACHINED, 72.5.....1 GR-20	
14	100712GT	COLUMN #2 MACHINED, 57.....1 GR-12, GR-15	
15		Ref. Pulley Bracket (refer to 310.1)	
16		Ref. Roller (refer to 301.1) (refer to 301.1)	
17	35706GT	BOLT,ROLLER,.470"(SHORT)	
18	7713GT	NUT, LP NYLOCK, 3/8-16	
19	35710GT	BLOCK,SLIDE,LOWER.....2 GR-12	
19A	35710GT	BLOCK,SLIDE,LOWER.....3 GR-15	
20	11808GT	SCREW,HHC,1/4-20 X .375	
21	35991GT	NUT,WELD 1/4-20, PLATED L.L.**	
22	57809GT	PLATE, LIMIT SWITCH ROLL GR.....1 GR-12, GR-15	
22A	100858GT	FORMING, LIMIT SWITCH ROLL GR-20	

303.1 Number 3 Column Assembly

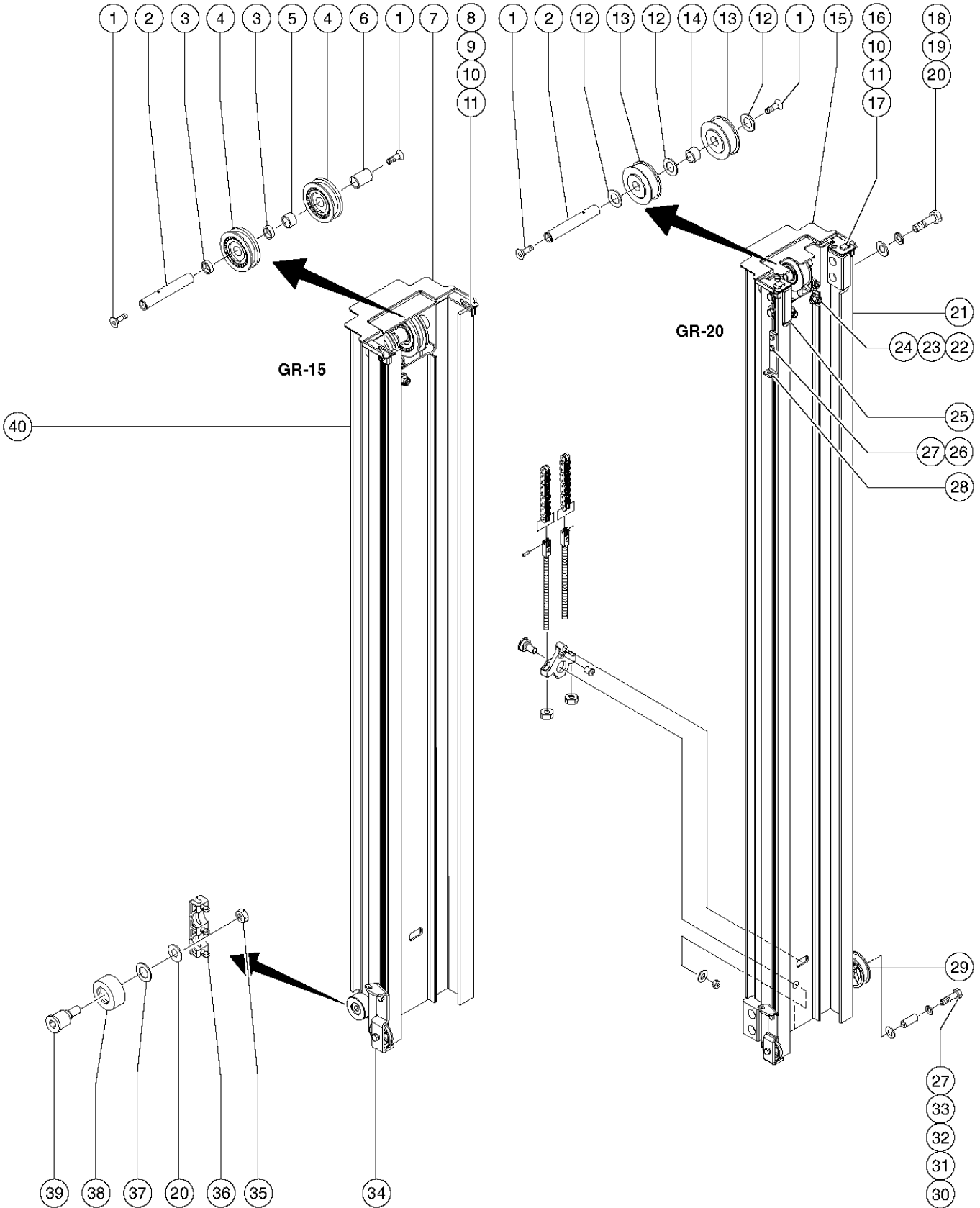


303.1 Number 3 Column Assembly

Item	Part No.	Description	Qty.	Item	Part No.	Description	Qty.
1	45425GT	SCREW,FHS,3/8-16 X .75		29	12016GT	PIN,COTTER,.125 X .75 <i>(to SN GR15-38900)</i>	
2A	35707GT	SHAFT,LIFTING CHAINS,20MM DIA.....2 <i>GR-12</i>		30		Ref. Mast Slider Block <i>(refer to 302.1)</i>	
2B	35707GT	SHAFT,LIFTING CHAINS,20MM DIA.....3 <i>GR-15</i>		31		Ref. Pulley Bracket <i>(refer to 310.1)</i>	
2C	35709GT	BLOCK,SLIDE,UPPER.....4 <i>GR-20</i>		32		Ref. Lower Slide Block <i>(refer to 302.1)</i>	
3A	35722GT	SPACER,SHAFT,.310.....1 <i>GR-12</i>		33A	1257714GT	WELDMENT, PHG ACTUATOR <i>(from SN GR15-38900)</i>	
3B	35722GT	SPACER,SHAFT,.310.....2 <i>GR-15 &amp; GR-20</i>		33B	1260891GT	KIT,GR PHG REPLACEMENT <i>(to SN GR15-38900) (update kit)</i>	
4	35711GT	SPACER,SHAFT,.840"LG.....2 <i>GR-12 &amp; GR-15</i>		34	100714GT	COLUMN #5 MACHINED, 57.....1 <i>GR-12</i>	
5	38447GT	PULLEY W/BEARINGS.....2					
6	38316GT	SPACER,.560 AWP MAST.....1					
7	38709GT	WASHER,SHIM,.938 X 1.37 X .048					
8		Ref. Mast Cover, Column Number 3 <i>(refer to 311.1)</i>					
9	35706GT	BOLT,ROLLER,.470"(SHORT)					
10		Ref. Roller <i>(refer to 301.1)</i>					
11	6052GT	WASHER,SHIM,.5 X .875 X .063					
12	6097GT	WASHER,FLAT,USS,3/8",Y					
13	7713GT	NUT, LP NYLOCK, 3/8-16					
14	100713GT	COLUMN #3 MACHINED, 57.....1					
15		Ref. Upper Slide Block <i>(refer to 301.1)</i>					
16	6175GT	SCREW,HHC,3/8-16 X 1					
17	6021GT	WASHER,LOCK,.375					
18		Ref. Mast Slider Block <i>(refer to 302.1)</i>					
19		Ref. Control Cable Pulley <i>(refer to 312.1 &amp; 313.1)</i>					
20	100382GT	COL 3 MACHINED, 72.5.....1 <i>GR-20</i>					
21	101718GT	BOLT,CARRIAGE,3/8-16 X .75,G2					
22	100942GT	BLOCK, PH ACTUATOR GUIDE.....1 <i>(to SN GR15-38900)</i>					
23	6637GT	SCREW,HHC,1/4-20 X 1.75 <i>(to SN GR15-38900)</i>					
24	6638GT	WASHER,FLAT,USS,1/4"Y <i>(to SN GR15-38900)</i>					
25	6091GT	NUT,NYLOCK,1/4-20 <i>(to SN GR15-38900)</i>					
26	1257714GT	WELDMENT, PHG ACTUATOR.....1 <i>(to SN GR15-38900)</i>					
27	235340GT	SPRING,COMPRESSION.....2 <i>(to SN GR15-38900)</i>					
28	1257714GT	WELDMENT, PHG ACTUATOR.....1 <i>(to SN GR15-38900)</i>					



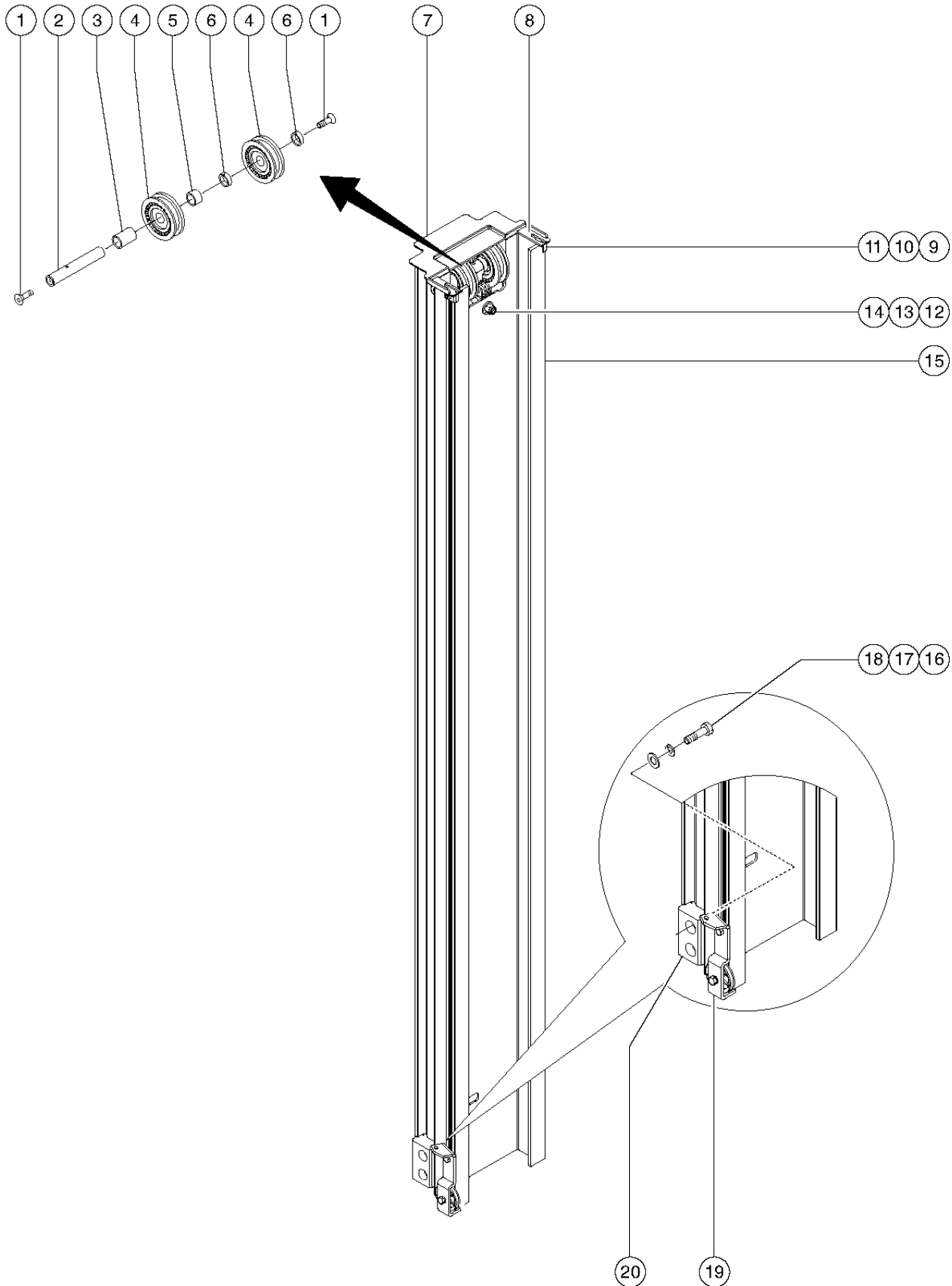
304.1 Number 4 Column Assembly; GR-15, GR-20



304.1 Number 4 Column Assembly; GR-15, GR-20

Item	Part No.	Description	Qty.	Item	Part No.	Description	Qty.
1	45425GT	SCREW,FHS,3/8-16 X .75		38		Ref. Roller, GR-15 <i>(refer to 301.1)</i>	
2	35707GT	SHAFT,LIFTING CHAINS,20MM DIA.....1		39	35706GT	BOLT,ROLLER,.470"(SHORT)	
3	35722GT	SPACER,SHAFT,.310		40	100715GT	COLUMN #6 MACHINED, 57 GR-15	
4	35715GT	PULLEY,SMALL CHAIN.....2					
5	35711GT	SPACER,SHAFT,.840"LG					
6	37686GT	SPACER,SHAFT,1.400					
7		Ref. Mast Cover, Number 4 Column <i>(refer to 311.1)</i>					
8	57264GT	NUT, 1/4-20 T					
9	109500GT	PLATE, MAST FLAP CLAMP, 5-6.....2					
10	40004GT	SCREW,SHC,1/4-20 X .375 BLK					
11	41055GT	WASHER,T-SLOT					
12	38709GT	WASHER,SHIM,.938 X 1.37 X .048					
13	38447GT	PULLEY W/BEARINGS.....2					
14	38316GT	SPACER,.560 AWP MAST					
15		Ref. Mast Cover, Number 4 Column <i>(refer to 311.1)</i>					
16		Ref. Mast Flap Clamp <i>(refer to 301.1)</i>					
17	38730GT	NUT,WELD,ANGLE,1/4" T-SLOT.....2					
18	6175GT	SCREW,HHC,3/8-16 X 1					
19	6021GT	WASHER,LOCK,.375					
20	6097GT	WASHER,FLAT,USS,3/8",Y					
21	100383GT	COL 4 MACHINED, 72.5.....1 GR-20					
22	4828GT	NUT,NYLOCK,3/8-16					
23	5397GT	WASHER,FLAT,USS,5/16",Y					
24	35714GT	SCREW,FHS,3/8-16 X 2.25					
25		Ref. Mast Slider Block <i>(refer to 303.1)</i>					
26	7339GT	SCREW, HHC, 1/4-20 X .5					
27	35991GT	NUT,WELD 1/4-20, PLATED L.L.**					
28		Ref. Upper Sequencing Bracket <i>(refer to 301.1)</i>					
29		Ref. Control Cable Pulley <i>(refer to 312.1 and 313.1)</i>					
30	8915GT	SCREW,HHC,1/4-20 X 1.25					
31	25926GT	WASHER,FLAT,M6 PLTD.					
32	40735GT	SPACER, 1/4ID3/8OD, .875LG					
33	22699GT	WASHER,FLAT,M10,ZINC PLTD.					
34		Ref. Pulley Bracket <i>(refer to 310.1)</i>					
35	7713GT	NUT, LP NYLOCK, 3/8-16					
36		Ref. Lower Slide Block <i>(refer to 302.1)</i>					
37	6052GT	WASHER,SHIM,.5 X .875 X .063					

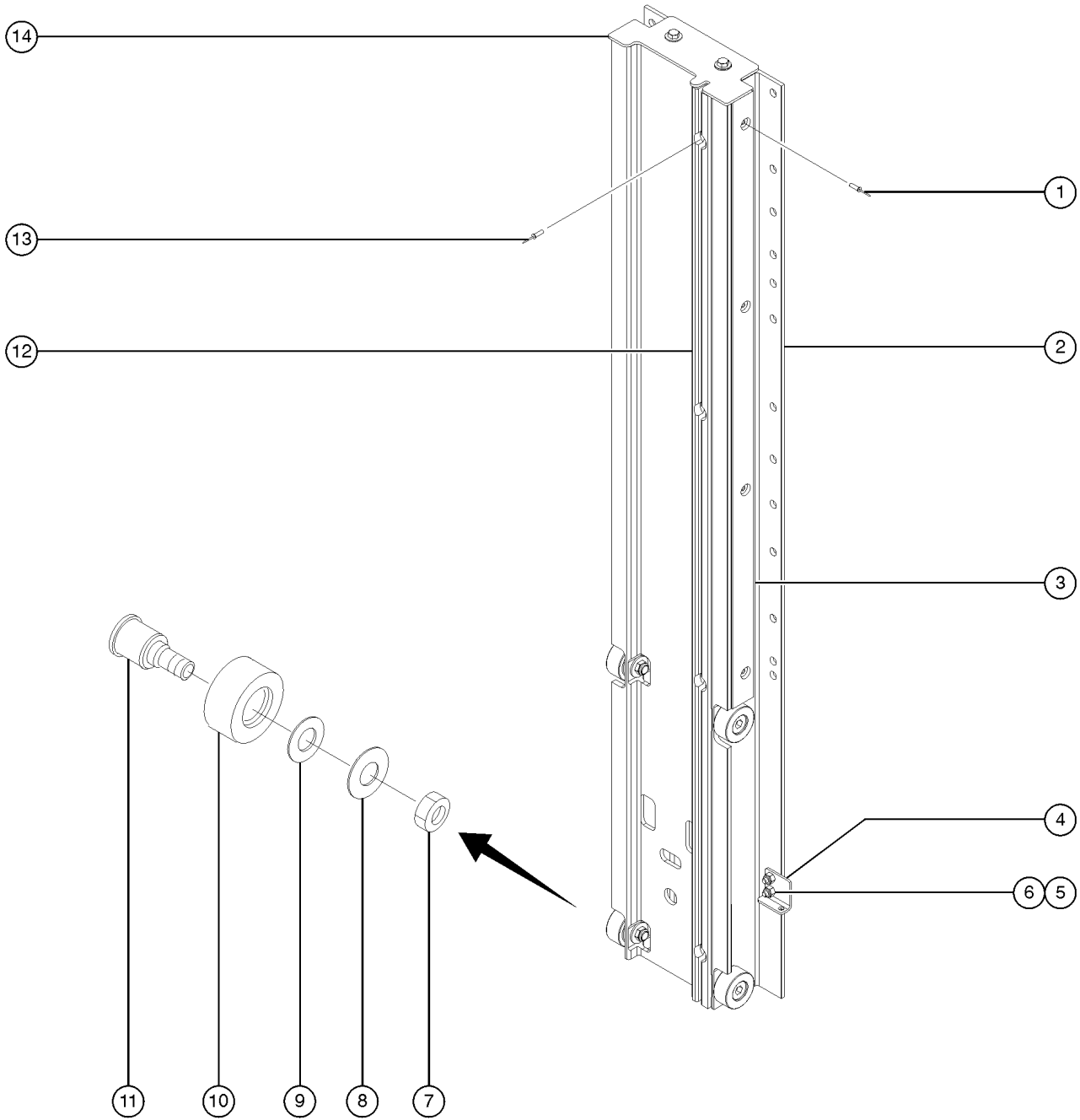
305.1 Number 5 Column Assembly; GR-20



## 305.1 Number 5 Column Assembly; GR-20

Item	Part No.	Description	Qty.
1	45425GT	SCREW,FHS,3/8-16 X .75	
2	35707GT	SHAFT,LIFTING CHAINS,20MM DIA.....1	
3	37686GT	SPACER,SHAFT,1.400	
4	35715GT	PULLEY,SMALL CHAIN.....2	
5	35711GT	SPACER,SHAFT,.840"LG	
6	35722GT	SPACER,SHAFT,.310	
7		Ref. Mast Cover, Column Number 5 (refer to 311.1)	
8	109500GT	PLATE, MAST FLAP CLAMP, 5-6.....2	
9	40004GT	SCREW,SHC,1/4-20 X .375 BLK	
10	41055GT	WASHER,T-SLOT	
11	57264GT	NUT, 1/4-20 T	
12	4828GT	NUT,NYLOCK,3/8-16	
13	5397GT	WASHER,FLAT,USS,5/16",Y	
14	35714GT	SCREW,FHS,3/8-16 X 2.25	
15	100384GT	COL 5 MACHINED, 72.5.....1 GR-20	
16	6175GT	SCREW,HHC,3/8-16 X 1	
17	6021GT	WASHER,LOCK,.375	
18	6097GT	WASHER,FLAT,USS,3/8",Y	
19	100386GT	FORMING, PULLEY BRKT	
20	100379GT	BLOCK, MAST SLIDER, GR20	

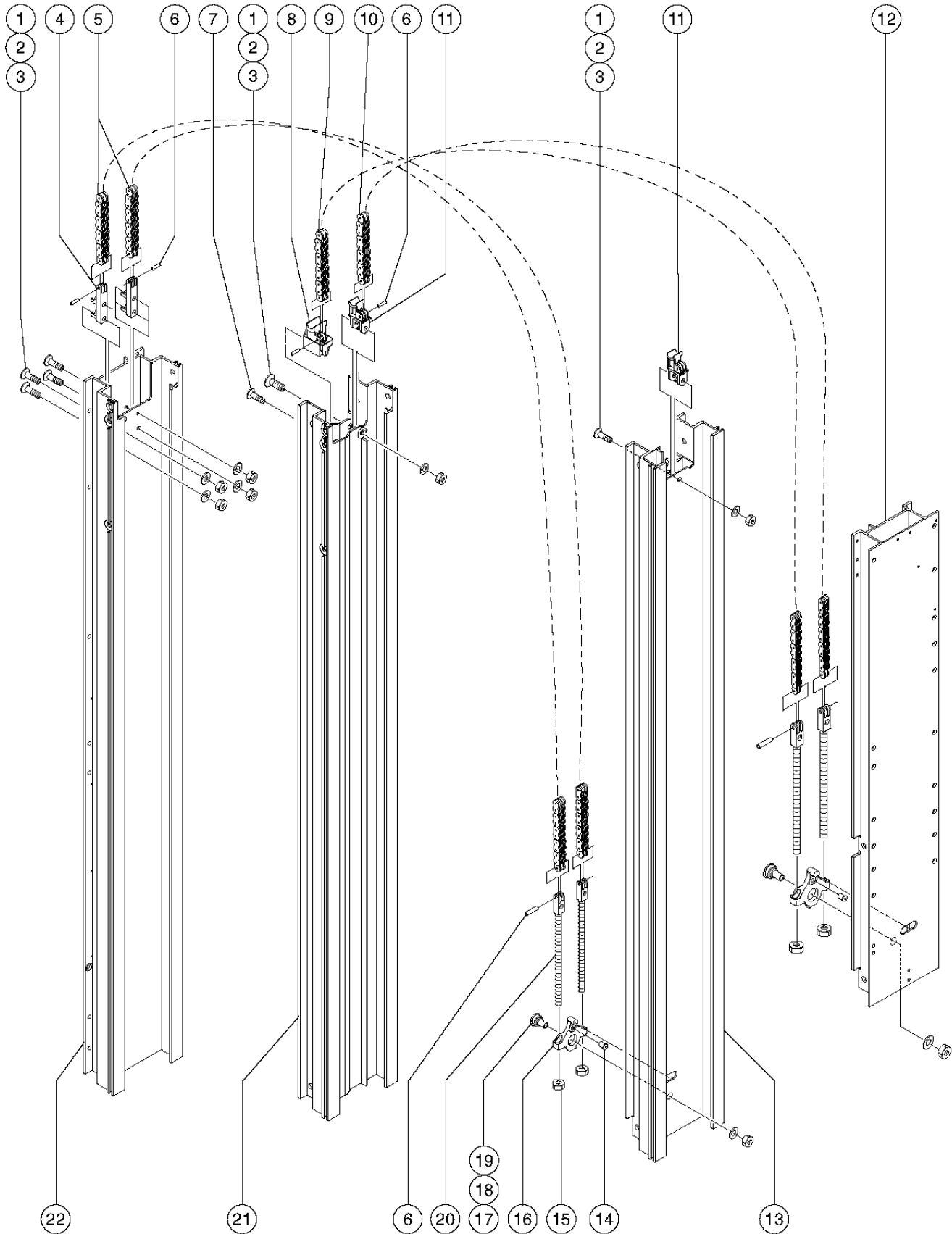
306.1 Carriage Assembly



## 306.1 Carriage Assembly

Item	Part No.	Description	Qty.
--	8920GT	RIVET,ALUM,ALUM,P,.156 X .375	
1	69855GT	RIVET,ALUM,ALUM,.25 X 1.125 AL	
2	100744GT	CARRIAGE, 3 & 5 COLUMN.....1 GR-12	
2A	100745GT	CARRIAGE, 4 & 6 COLUMN GR-15	
2B	100744GT	CARRIAGE, 3 & 5 COLUMN GR-20	
--		Ref. Carriage Sequencing Cable Assembly (refer to 310.1)	
3	57195GT	GUIDE, SLIDER CARRIAGE.....2	
4	35734GT	FORMING, SEQUENCING, CARR, ZN...1	
5	6091GT	NUT,NYLOCK,1/4-20	
6	6090GT	SCREW,HHC,1/4-20 X .75	
7	7713GT	NUT, LP NYLOCK, 3/8-16	
8	6097GT	WASHER,FLAT,USS,3/8",Y	
9	6052GT	WASHER,SHIM,.5 X .875 X .063	
10		Ref. Roller (refer to 301.1)	
11	35706GT	BOLT,ROLLER,.470"(SHORT)	
12	38005GT	SLIDE BLOCK,CARRIAGE%%.....1	
13	8920GT	RIVET,ALUM,ALUM,P,.156 X .375	
14		Ref., CARRIAGE COVER (refer to 311.1)	

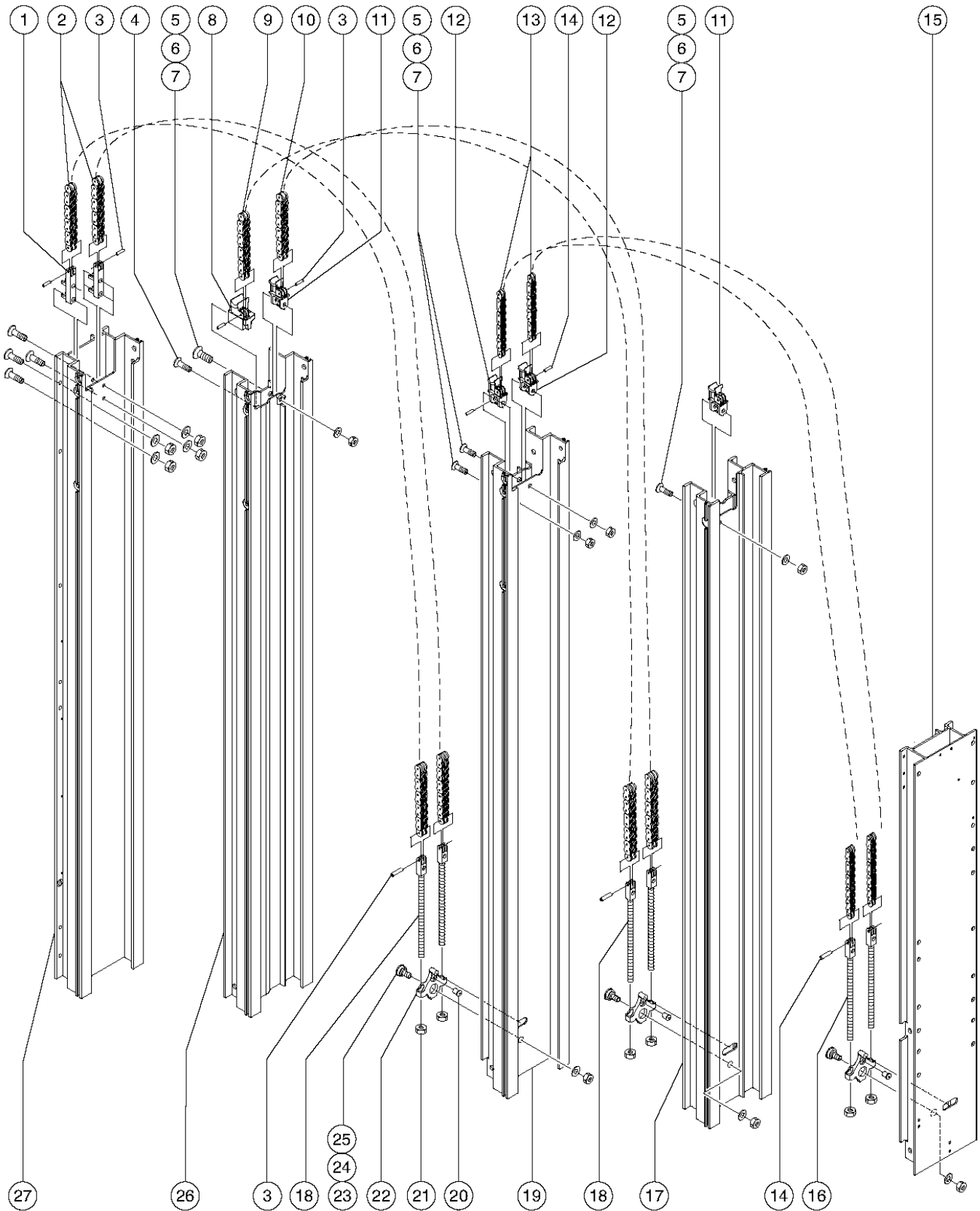
307.1 Lifting Chain Assembly, GR-12



## 307.1 Lifting Chain Assembly, GR-12

Item	Part No.	Description	Qty.
1	35714GT	SCREW,FHS,3/8-16 X 2.25	
2	5397GT	WASHER,FLAT,USS,5/16",Y	
3	4828GT	NUT,NYLOCK,3/8-16	
4	35699GT	CHAIN TERMINAL CASTING,#1.....2	
5	40550GT	CHAIN ASSY#1,57"COL. S-SERIES.....2 (includes items 4 and 20)	
--	41247GT	CHAIN,STD.LEAF(LG)53.5"S-SERIE.53.5-inches	
6	6534GT	PIN,GROOVED- .200 X .75*.....8	
7	40945GT	SCREW,FHS,1/4-20 X 2.25	
8	35697GT	CHAIN TERM,CLEVIS CYL.,ZINC.....1	
9	41246GT	CHAIN ASSY.#2 COL. (CYLINDER).....1 (includes items 8 and 20)	
--	41247GT	CHAIN,STD.LEAF(LG)53.5"S-SERIE.53.5-inches	
10	41248GT	CHAIN ASSY. #2 COL.CWP/SP.....1 (includes items 11 and 20)	
--	41247GT	CHAIN,STD.LEAF(LG)53.5"S-SERIE.53.5-inches	
11	35695GT	CHAIN TERM,PULLEY SUPORT-ZINC...2 (double slot)	
12		Ref. Carriage (refer to 306.1)	
13		Ref. Number 3 Column (refer to 303.1)	
14	11890GT	GLIDE BUTTON,SIDE,GLL,.100 TK.....2	
15	35712GT	NUT,NYLOCK,3/8-24	
16	35698GT	CHAIN TENSION ROCKER CAST.ZINC.....2	
17	35705GT	BOLT-ROCKER, S-SERIES	
18	6095GT	WASHER,FLAT,USS,1/2",Y	
19	6086GT	NUT,LP NYLOCK,1/2-13	
20	38187GT	CHAIN TERM.LWR.SS(2 SLOT)*.....4 (includes item 6)	
21		Ref. Number 2 Column (refer to 302.1)	
22		Ref. Number 1 Column (refer to 301.1)	

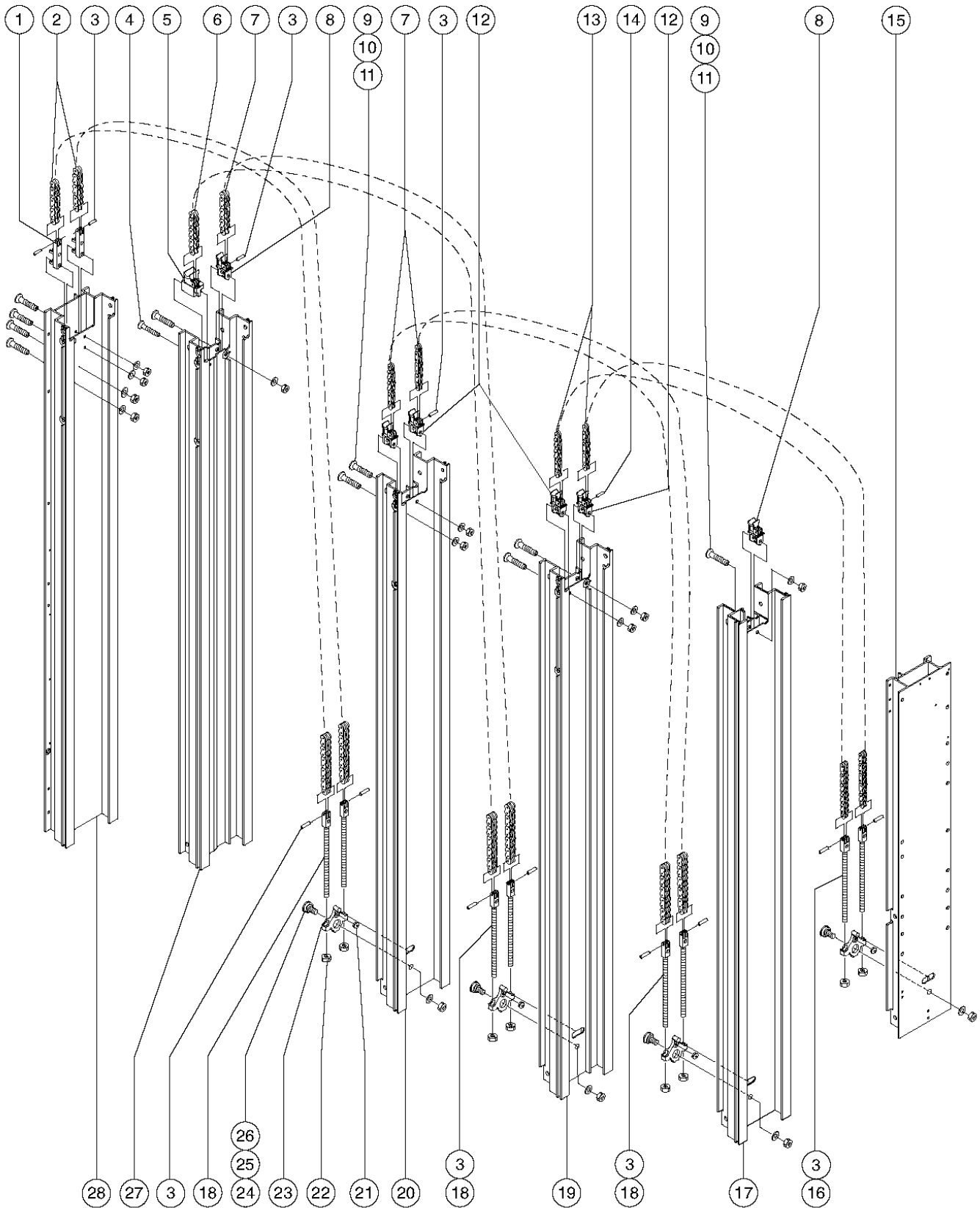
308.1 Lifting Chain Assembly, GR-15



## 308.1 Lifting Chain Assembly, GR-15

Item	Part No.	Description	Qty.
1	35699GT	CHAIN TERMINAL CASTING,#1.....	2
2	40550GT	CHAIN ASSY#1,57"COL. S-SERIES..... (includes items 1 and 18)	2
3	6534GT	PIN,GROOVED- .200 X .75*.....	8
4	40945GT	SCREW,FHS,1/4-20 X 2.25	
5	35714GT	SCREW,FHS,3/8-16 X 2.25	
6	5397GT	WASHER,FLAT,USS,5/16",Y	
7	4828GT	NUT,NYLOCK,3/8-16	
8	35697GT	CHAIN TERM,CLEVIS CYL.,ZINC.....	1
9	41246GT	CHAIN ASSY.#2 COL. (CYLINDER)..... (includes items 8 and 18)	1
10	41248GT	CHAIN ASSY. #2 COL.CWP/SP..... (includes items 11 and 18)	1
--	41247GT	CHAIN,STD.LEAF(LG)53.5"S-SERIE.53.5-inch	
11	35695GT	CHAIN TERM,PULLEY SUPORT-ZINC... (double slot)	2
12	38980GT	CHAIN TERM,PULLEY SUPPORT-ZNC..... (single slot)	2
13	41250GT	CHAIN ASSY.SMALL CHAIN CWP/SP... (includes items 12 and 14)	2
--	41249GT	CHAIN,SMALL,53.5".....	53.5-inch
14	38986GT	PIN,GROOVED,.200 X .50*.....	4
15		Ref. Carriage (refer to 306.1)	
16	41224GT	CHAIN TERM.LWR.SS(1 SLOT)..... (includes item 14)	2
17	35754GT	COLUMN #6, 57" SUPER SERIES** (refer to 304.1) (replaced P/N 35752)	
18	38187GT	CHAIN TERM.LWR.SS(2 SLOT)*..... (includes item 3)	4
19		Ref. Number 3 Column (refer to 303.1)	
20	11890GT	GLIDE BUTTON,SIDE,GLL,.100 TK.....	3
21	35712GT	NUT,NYLOCK,3/8-24	
22	35698GT	CHAIN TENSION ROCKER CAST.ZINC.....	3
23	35705GT	BOLT-ROCKER, S-SERIES.....	3
24	6097GT	WASHER,FLAT,USS,3/8",Y	
25	6086GT	NUT,LP NYLOCK,1/2-13	
26		Ref. Number 2 Column (refer to 302.1)	
27		Ref. Number 1 Column (refer to 301.1)	

309.1 Lifting Chain Assembly, GR-20

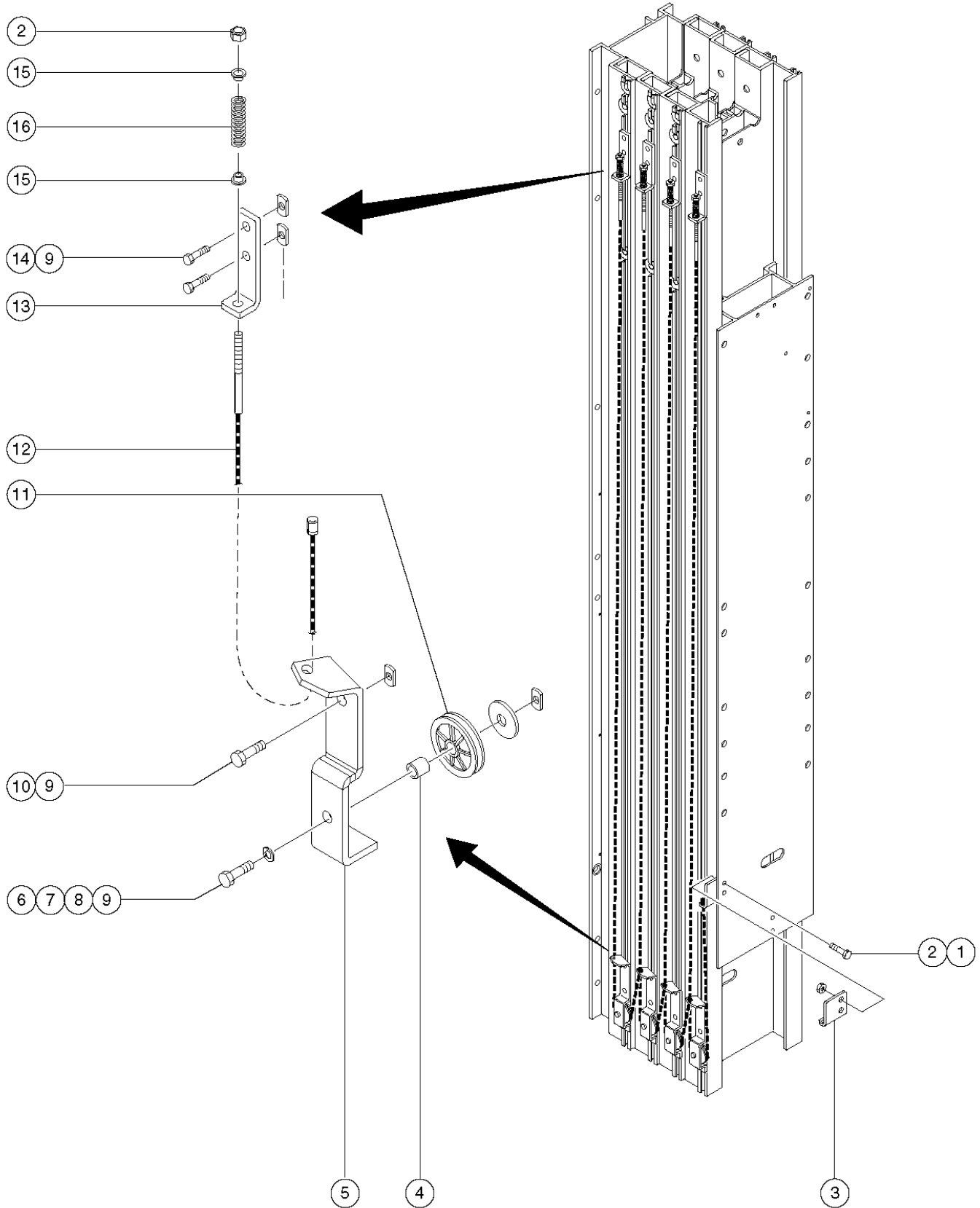


309.1 Lifting Chain Assembly, GR-20

Item	Part No.	Description	Qty.	Item	Part No.	Description	Qty.
1	35699GT	CHAIN TERMINAL CASTING,#1.....	2	28		Ref. Number 1 Column (refer to 301.1)	
2	37385GT	CHAIN ASSY#1,72.5"COL.S-SERIES..... (includes items 1 and 18)	2				
--	35704-6813GT	CHAIN,STD.LEAF AL544,68.13".....	68.5-inches				
3	6534GT	PIN,GROOVED- .200 X .75*.....	12				
4	40945GT	SCREW,FHS,1/4-20 X 2.25.....	1				
5	35697GT	CHAIN TERM,CLEVIS CYL.,ZINC.....	1				
6	37384GT	CHAIN ASSY#2,72.5"COL.S-SERIES..... (includes items 5 and 18)	1				
--	35704-6813GT	CHAIN,STD.LEAF AL544,68.13".....	68.5-inches				
7	37386GT	CHAIN ASSY,72.5"COL. S-SERIES..... (includes items 8 and 18)	3				
--	35704-6813GT	CHAIN,STD.LEAF AL544,68.13".....	68.5-inches				
8	35695GT	CHAIN TERM,PULLEY SUPORT-ZINC... (double slot)	3				
9	35714GT	SCREW,FHS,3/8-16 X 2.25					
10	5397GT	WASHER,FLAT,USS,5/16",Y					
11	4828GT	NUT,NYLOCK,3/8-16.....	10				
12	38980GT	CHAIN TERM,PULLEY SUPPORT-ZNC..... (single slot)	2				
13	37387GT	CHAIN ASSY,72.5COL.(SM)S-SERIE..... (includes items 12 and 16)	2				
--	35703-6813GT	CHAIN,STD.LEAF AL522,68.13".....	68.5-inches				
14	38986GT	PIN,GROOVED,.200 X .50*.....	4				
15		Ref. Carriage (refer to 306.1)					
16	41224GT	CHAIN TERM.LWR.SS(1 SLOT)..... (includes item 14)	1				
17		Ref. Number 5 Column (refer to 305.1)					
18	38187GT	CHAIN TERM.LWR.SS(2 SLOT)*..... (includes item 3)	8				
19		Ref. Number 4 Column (refer to 304.1)					
20		Ref. Number 3 Column (refer to 303.1)					
21	11890GT	GLIDE BUTTON,SIDE,GLL,.100 TK.....	4				
22	35712GT	NUT,NYLOCK,3/8-24					
23	35698GT	CHAIN TENSION ROCKER CAST.ZINC.....	4				
24	35705GT	BOLT-ROCKER, S-SERIES					
25	6095GT	WASHER,FLAT,USS,1/2",Y					
26	6198GT	NUT,NYLOCK,1/2-13					
27		Ref. Number 2 Column (refer to 302.1)					



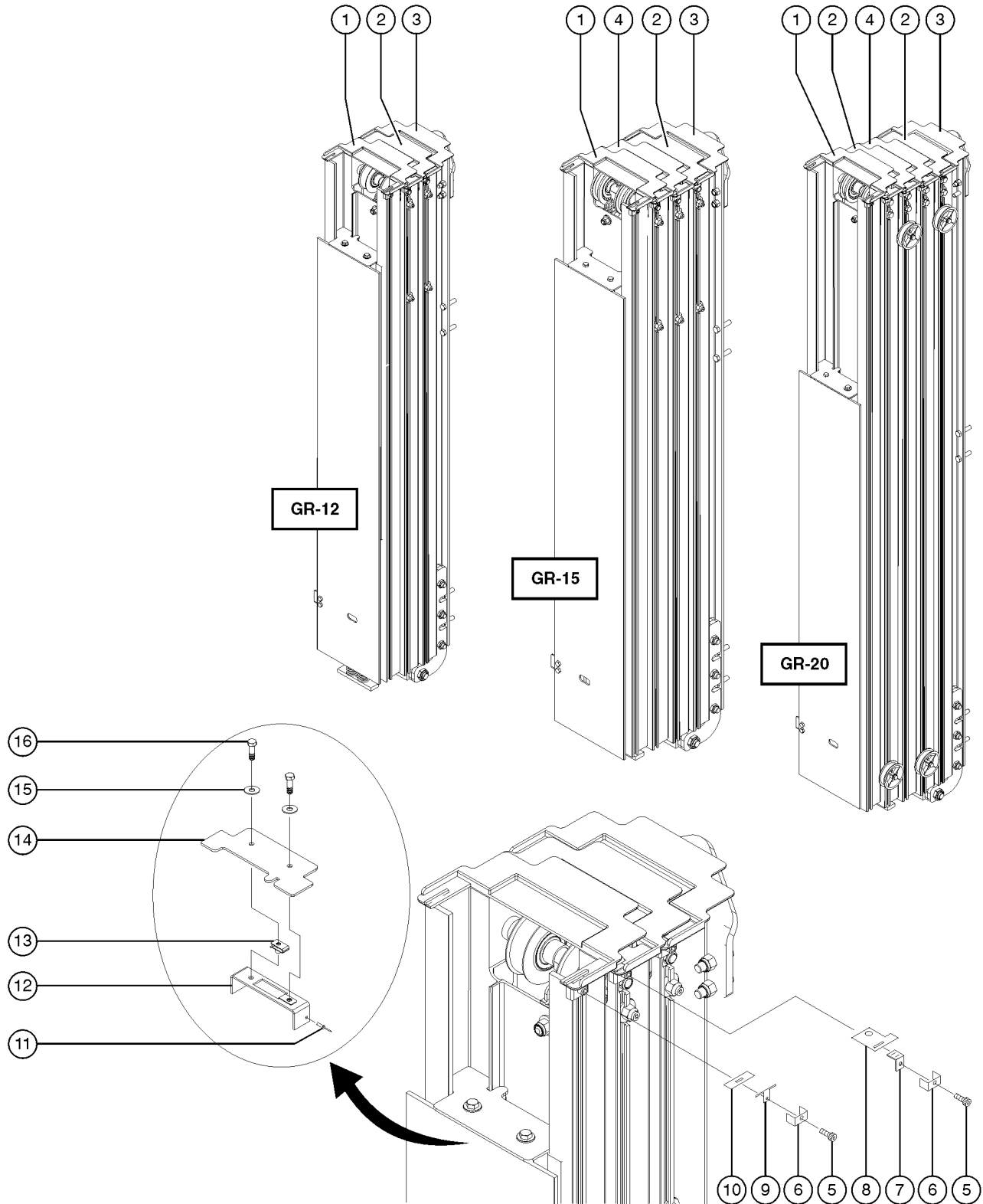
310.1 Sequencing Cable



## 310.1 Sequencing Cable

Item	Part No.	Description	Qty.
1	6090GT	SCREW,HHC,1/4-20 X .75	
2	6091GT	NUT,NYLOCK,1/4-20	
3	35734GT	FORMING, SEQUENCING, CARR, ZN...1	
4	100905GT	SPACER,TUBE,1/4X3/8X.40" LG.....2 GR-12	
4A	100905GT	SPACER,TUBE,1/4X3/8X.40" LG.....3 GR-15	
4B	100905GT	SPACER,TUBE,1/4X3/8X.40" LG.....4 GR-20	
5	100386GT	FORMING, PULLEY BRKT.....1	
6	6888GT	SCREW,HHC,1/4-20 X 1	
7	6356GT	WASHER,LOCK,.25	
8	12906GT	WASHER,FENDER,.25 X 1.25 X.062	
9	35991GT	NUT,WELD 1/4-20, PLATED L.L.**	
10	11808GT	SCREW,HHC,1/4-20 X .375	
11	35733GT	PULLEY,SEQUENCING,NYLATRON.....2 GR-12	
11A	35733GT	PULLEY,SEQUENCING,NYLATRON.....3 GR-15	
11B	35733GT	PULLEY,SEQUENCING,NYLATRON.....4 GR-20	
12	124081GT	CABLE ASSY,SEQ,MAST,GR12&15.....1 (includes item 13)	
--	100409GT	CABLE ASSY,SEQ,MAST,GR20.....3 (includes item 13)	
--	124081GT	CABLE ASSY,SEQ,MAST,GR12&15.....2 (includes item 13)	
12A	58381GT	CABLE ASSY,SEQ,CARRIAGE,GR20....1 (includes item 3)	
13	57147GT	BRACKET,SEQUENCING,UPPER,ZI***.2 GR-12	
13A	57147GT	BRACKET,SEQUENCING,UPPER,ZI***.3 GR-15	
13B	57147GT	BRACKET,SEQUENCING,UPPER,ZI***.4 GR-20	
14	7339GT	SCREW, HHC, 1/4-20 X .5	
15	38234GT	BUSHING,FLANGE,3/8 OD X 1/4 ID.....4 GR-12	
15A	38234GT	BUSHING,FLANGE,3/8 OD X 1/4 ID.....6 GR-15	
15B	38234GT	BUSHING,FLANGE,3/8 OD X 1/4 ID.....8 GR-20	
16	8849GT	SPRING, TENSION CABLE.....2 GR-12	
16A	8849GT	SPRING, TENSION CABLE.....3 GR-15	
16B	8849GT	SPRING, TENSION CABLE.....6 GR-20	

311.1 Mast Covers

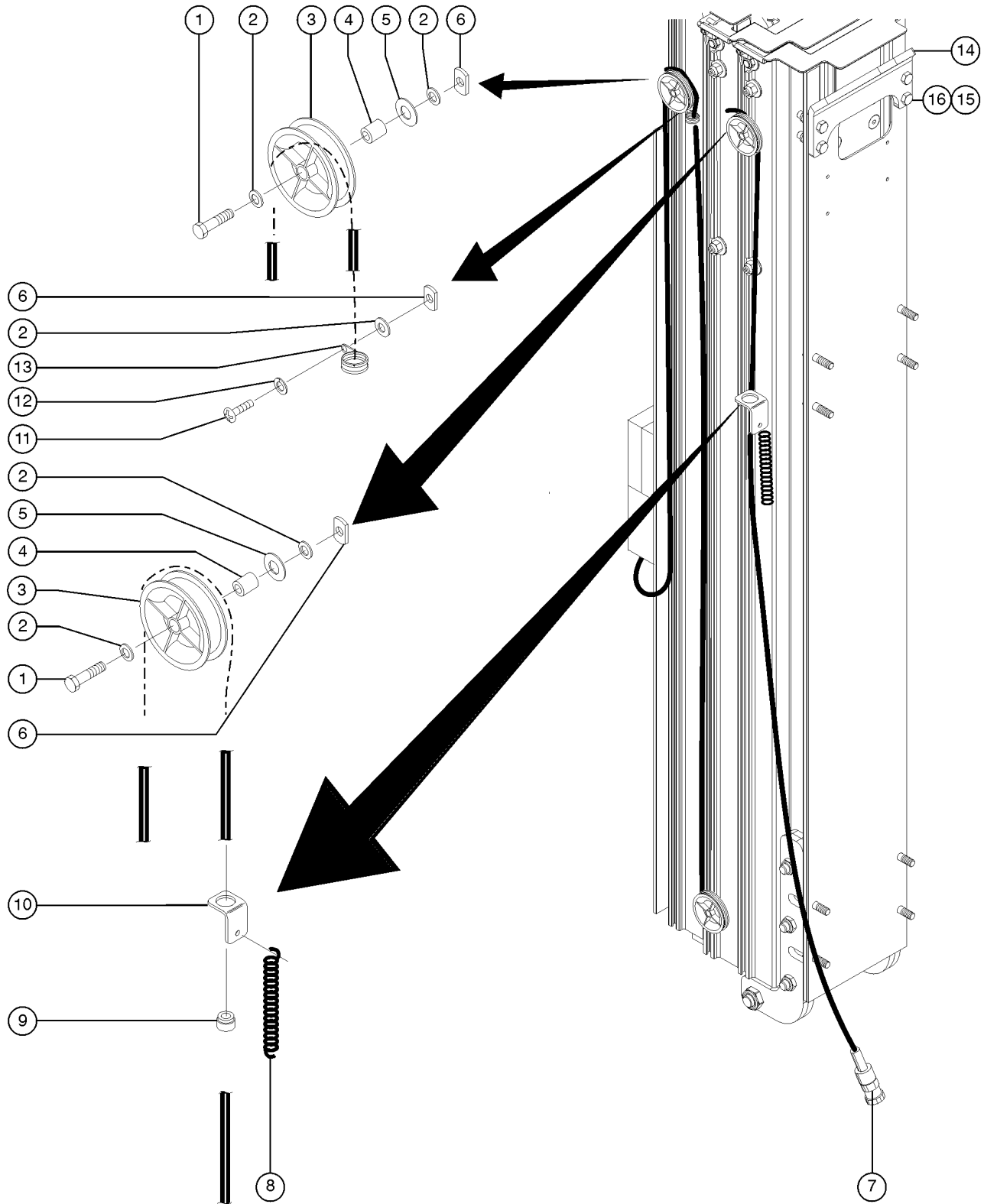


311.1 Mast Covers

Item	Part No.	Description	Qty.	Item	Part No.	Description	Qty.
1	100770GT	FLAP, MAST COVER #5,#6.....1 <i>GR-12 (column #3)</i>	1	13	56912GT	SPRING CLIP,1/4-20,.025-.15X.54,ZAG.....2	2
1A	100770GT	FLAP, MAST COVER #5,#6.....1 <i>GR-15 (column 4)</i>	1	14	100752GT	COVER, CARRIAGE.....1	1
1B	100770GT	FLAP, MAST COVER #5,#6.....1 <i>GR-20 (column # 5)</i>	1	15	6638GT	WASHER,FLAT,USS,1/4"Y.....2	2
2	100769GT	FLAP, MAST COVER #2, #4.....1 <i>GR-12 (column #2)</i>	1	16	6888GT	SCREW,HHC,1/4-20 X 1.....2	2
2A	100769GT	FLAP, MAST COVER #2, #4.....1 <i>GR-15 (column 2)</i>	1				
2B	100769GT	FLAP, MAST COVER #2, #4.....2 <i>GR-20 (column # 2 and # 4)</i>	2				
3	100767GT	FLAP, MAST COVER #1.....1 <i>GR-12 (column #1)</i>	1				
3A	100767GT	FLAP, MAST COVER #1.....1 <i>GR-15 (column 1)</i>	1				
3B	100767GT	FLAP, MAST COVER #1.....1 <i>GR-20 (column # 1)</i>	1				
4	100768GT	FLAP, MAST COVER #3.....1 <i>GR-15 (column 3)</i>	1				
4A	100768GT	FLAP, MAST COVER #3.....1 <i>GR-20 (column # 3)</i>	1				
5	40004GT	SCREW,SHC,1/4-20 X .375 BLK.....6 <i>GR-12</i>	6				
5A	40004GT	SCREW,SHC,1/4-20 X .375 BLK.....8 <i>GR-15</i>	8				
5B	40004GT	SCREW,SHC,1/4-20 X .375 BLK.....10 <i>GR-20</i>	10				
6	41055GT	WASHER,T-SLOT.....6 <i>GR-12</i>	6				
6A	41055GT	WASHER,T-SLOT.....8 <i>GR-15</i>	8				
6B	41055GT	WASHER,T-SLOT.....10 <i>GR-20</i>	10				
7	38730GT	NUT,WELD,ANGLE,1/4" T-SLOT.....6 <i>GR-12</i>	6				
7A	38730GT	NUT,WELD,ANGLE,1/4" T-SLOT.....8 <i>GR-15</i>	8				
7B	38730GT	NUT,WELD,ANGLE,1/4" T-SLOT.....10 <i>GR-20</i>	10				
8	100778GT	PLATE, MAST FLAP CLAMP.....4 <i>GR-12</i>	4				
8A	100778GT	PLATE, MAST FLAP CLAMP.....6 <i>GR-15</i>	6				
8B	100778GT	PLATE, MAST FLAP CLAMP.....8 <i>GR-20</i>	8				
9	57264GT	NUT, 1/4-20 T.....2	2				
10	109500GT	PLATE, MAST FLAP CLAMP, 5-6.....2	2				
11	8920GT	RIVET,ALUM,ALUM,P,.156 X .375.....2	2				
12	100777GT	FORMING, CARRIAGE FLAP MOUNT...1	1				



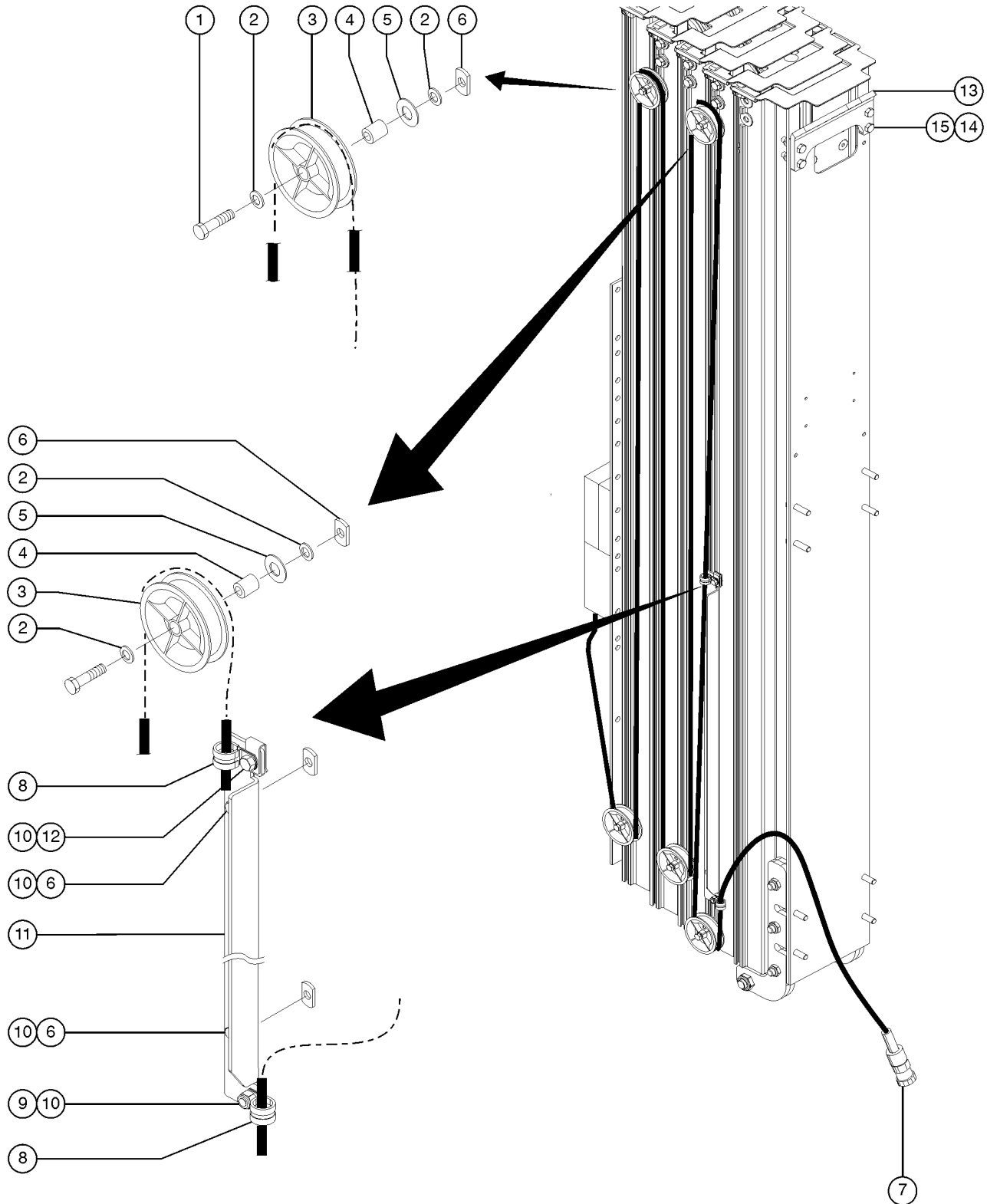
312.1 Control Cable Assembly, GR-12 (to serial number GR07-9836)



## 312.1 Control Cable Assembly, GR-12 (to serial number GR07-9836)

Item	Part No.	Description	Qty.
1	8915GT	SCREW,HHC,1/4-20 X 1.25	
2	25926GT	WASHER,FLAT,M6 PLTD.	
3	23394GT	PULLEY,ELEC.CNTRL.CABLE,AWP.....3	
4	40735GT	SPACER, 1/4ID3/8OD, .875LG	
5	22699GT	WASHER,FLAT,M10,ZINC PLTD.	
6	35991GT	NUT,WELD 1/4-20, PLATED L.L.**	
7		Ref. Control Cable Assembly (refer to 209.1)	
8	23396GT	SPRING,CONTROL CABLE, AWP.....1	
9	60746GT	BUSHING, STRAIN RELIEF, 1".....1	
10	69529GT	BRACKET,CONTROL CABLE W/BUSHIN.....1 (includes item 9)	
11	38979GT	SCREW,PHM,1/4-20X.5 PHIL	
12	6356GT	WASHER,LOCK,.25	
13	6833GT	CLAMP,0.50,#8 X 1/4,RUB CUSH.....1	
14	107023GT	LIFTING EYE ASSEMBLY (direct replacement of p/n 107138)	
15	8516GT	SCREW, HCC, 3/8-16 X 1.50	
16	4828GT	NUT,NYLOCK,3/8-16	

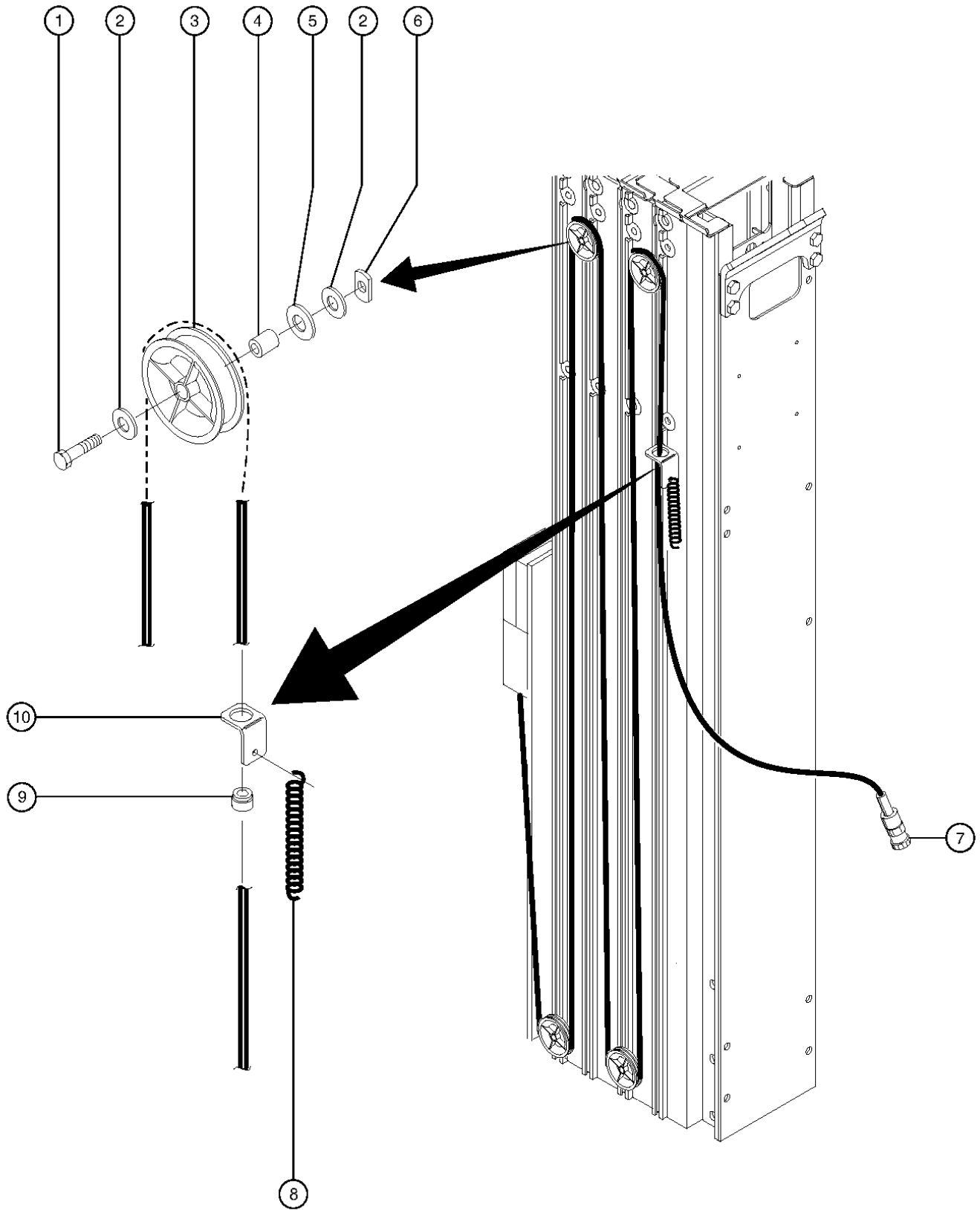
312.2 Control Cable Assembly; GR-12 (from SN 9837) and GR-20 (from SN 5001)



## 312.2 Control Cable Assembly; GR-12 (from SN 9837) and GR-20 (from SN 5001)

Item	Part No.	Description	Qty.
1	8915GT	SCREW,HHC,1/4-20 X 1.25	
2	25926GT	WASHER,FLAT,M6 PLTD.	
3	23394GT	PULLEY,ELEC.CNTRL.CABLE,AWP.....3 (GR20) (shown)	
4	40735GT	SPACER, 1/4ID3/8OD, .875LG	
5	22699GT	WASHER,FLAT,M10,ZINC PLTD.	
6	35991GT	NUT,WELD 1/4-20, PLATED L.L.**	
7		Ref. Control Cable Assembly (refer to 209.1)	
8	6833GT	CLAMP,0.50,#8 X 1/4,RUB CUSH.....2	
9	6091GT	NUT,NYLOCK,1/4-20	
10	7339GT	SCREW, HHC, 1/4-20 X .5	
11	124166GT	FORMING,CABLE BRKT,GR.....1	
12	56912GT	SPRING CLIP,1/4-20,.025-.15X.54,ZAG.....1	
13	107023GT	LIFTING EYE ASSEMBLY (direct replacement of p/n 107138)	
14	8516GT	SCREW, HCC, 3/8-16 X 1.50	
15	4828GT	NUT,NYLOCK,3/8-16	

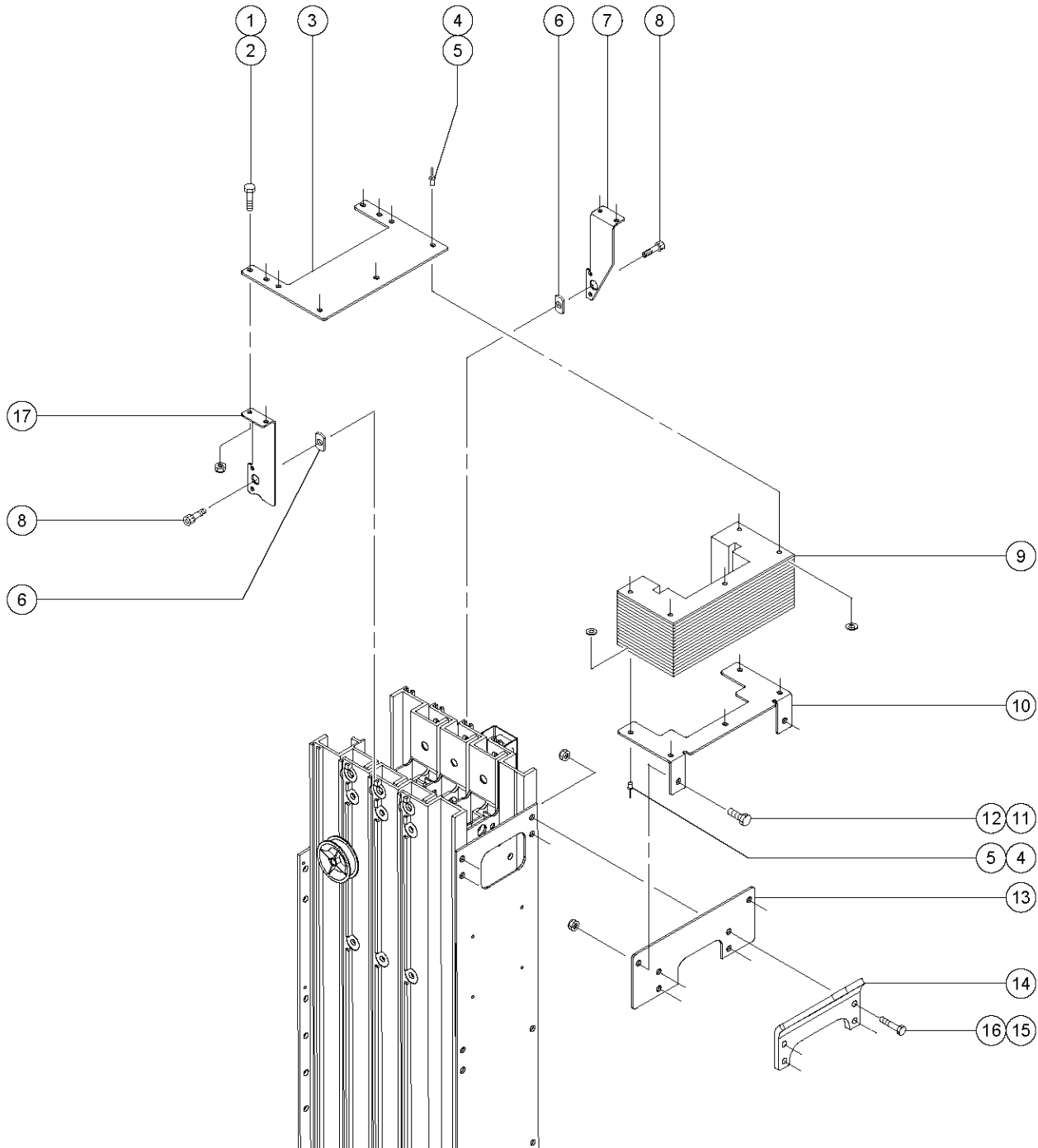
313.1 Control Cable Assembly, GR-15



313.1 Control Cable Assembly, GR-15

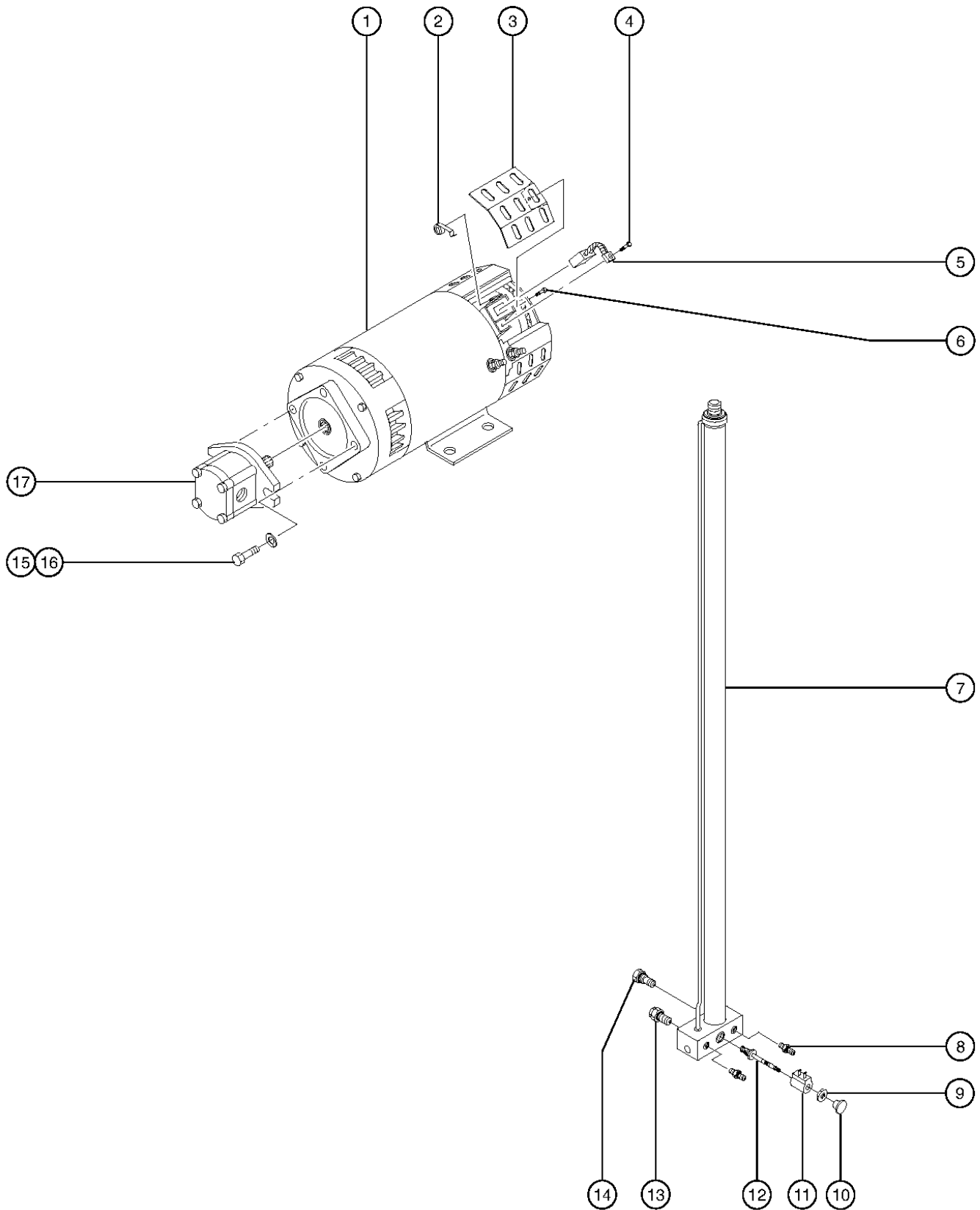
Item	Part No.	Description	Qty.
1	8915GT	SCREW,HHC,1/4-20 X 1.25	
2	25926GT	WASHER,FLAT,M6 PLTD.	
3	23394GT	PULLEY,ELEC.CNTRL.CABLE,AWP.....4	
4	40735GT	SPACER, 1/4ID3/8OD, .875LG	
5	22699GT	WASHER,FLAT,M10,ZINC PLTD.	
6	35991GT	NUT,WELD 1/4-20, PLATED L.L.**	
7		Ref. Control Cable Assembly (refer to 209.1)	
8	23396GT	SPRING,CONTROL CABLE, AWP.....1	
9	60746GT	BUSHING, STRAIN RELIEF, 1".....1	
10	69529GT	BRACKET,CONTROL CABLE W/BUSHIN.....1 <i>includes item 9</i>	

314.1 Bellows, CE Models



Item	Part No.	Description	Qty.
1	6090GT	SCREW,HHC,1/4-20 X .75	
2	6091GT	NUT,NYLOCK,1/4-20	
3	44264-SGT	PLATE, UPPER BELLOW MNT, CE	
4	6271GT	RIVET,STL,STL.MAN,P,.25 X .25	
5	75144GT	WASHER,FLAT,SAE 1/4",ZINC	
6	35991GT	NUT,WELD 1/4-20, PLATED L.L.**	
7	69838GT	BRACKET, BELLOWS MOUNT, CE	
8	40004GT	SCREW,SHC,1/4-20 X .375 BLK	
9	44372GT	BELLOW, CE	
10	44263-SGT	FORMING, LOWER BELLOW MNT,CE	
11	8255GT	SCREW,HHC,3/8-16 X .75	
12	7713GT	NUT, LP NYLOCK, 3/8-16	
13	69384-SGT	MOUNT,LOWER BELLOW,CE,RUNABOUT	
14		Ref., Lifting Eye Plate <i>refer to 301.1</i>	
15	8516GT	SCREW, HCC, 3/8-16 X 1.50	
16	4828GT	NUT,NYLOCK,3/8-16	
17	44266GT	FORMING, BELLOW BRKT,CE,LH	

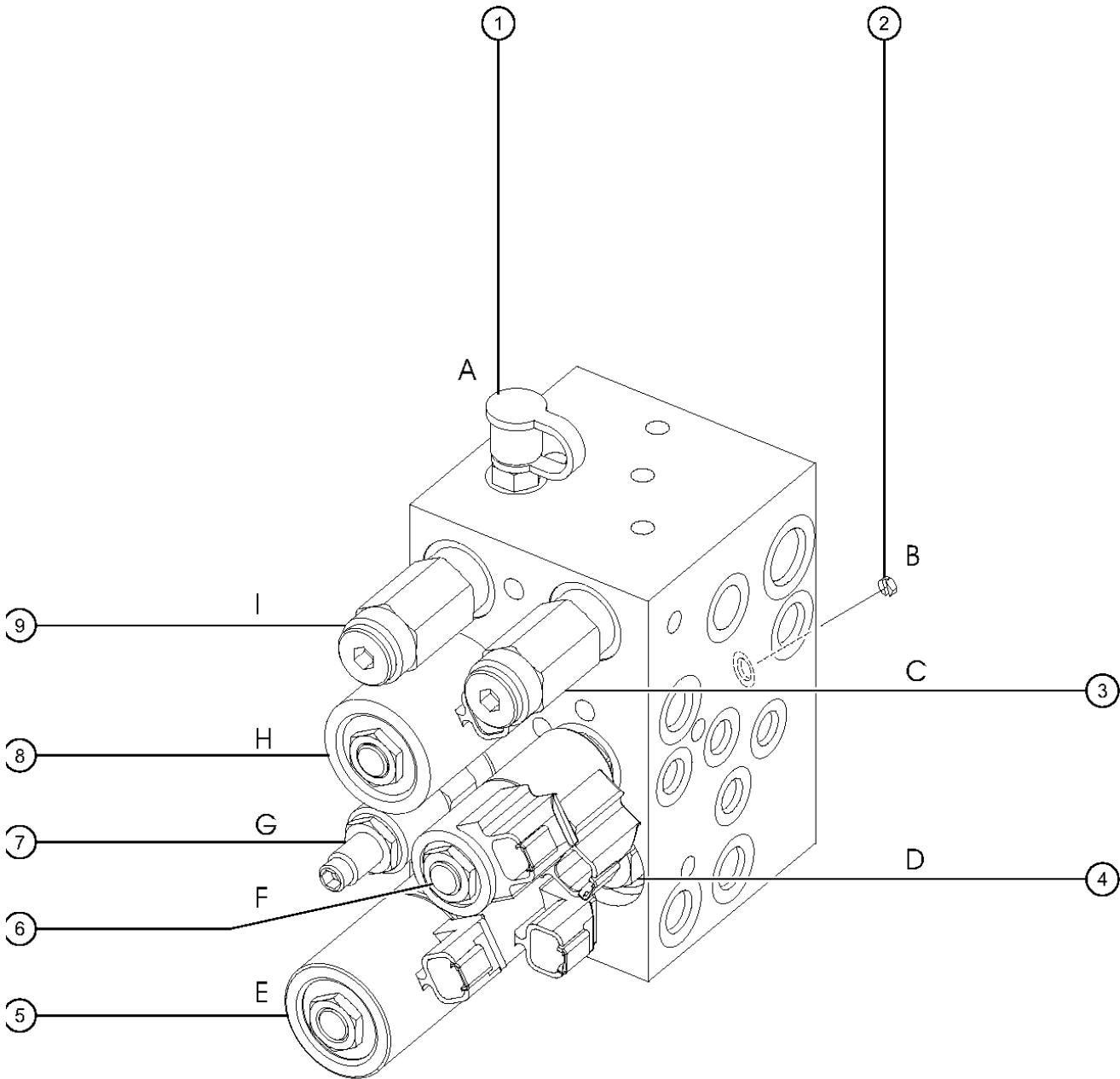
401.1 Hydraulic Power Unit and Lift Cylinder



## 401.1 Hydraulic Power Unit and Lift Cylinder

Item	Part No.	Description	Qty.
1	105387GT	MOTOR,24DC,ADV.....1 <i>(includes items 2-6)</i>	1
--	43685GT	SEAL KIT,LIFT PUMP,BARNES**	
--	44777GT	BEARING,MOTOR <i>(includes items 2-6)</i>	
--	44778GT	BEARING,MOTOR,36843,BRUSH END*	
--	52915GT	BRUSH LEAD ASSEMBLY KIT(48504)	
--	58934GT	BRUSH BOX ASSEMBLY	
2	44750GT	SPRING-BRUSH,40844, SCISSORS.....4	4
3	44752GT	COVER-BRUSH INSPEC.40844,SCISS.....4	4
4	52913GT	SCREW,HH TAPETITE THRD8-32X.50	
5	44751GT	BRUSH,PWR UNIT (40844)**.....4	4
6	52914GT	SCREW,HHTAPTITE THREAD8-32X.38	
7	80949GT	CYLINDER, LIFT 41" STROKE, DY*.....1 <i>GR-12, GR-15</i>	1
--	80941GT	SEAL KIT,DONYANG CYL (35736)**	
7A	100400GT	CYLINDER,LIFT, 70" STROKE.....1	1
--	80943GT	SEAL KIT,DONYANG CYL (35737)*	
8	48905GT	CONN,520120-4***.....2	2
9	52943GT	NUT,SOLENOID VALVE COIL.....1	1
10	38068GT	KNOB,PUSH/PULL,RED.....1	1
11	84422GT	COIL-SOLENOID VALVE,20V DC***.....1	1
12	66465GT	VALVE,W/20V NC SOLENOID,MANUAL.....1 <i>(includes items 9 and 11)</i>	1
13	35725GT	VALVE,FLOW CONTROL PREAS.COMP.....1 <i>1 gpm, L/min</i>	1
14	35726GT	VALVE,HYDRAULIC CHECK.....1	1
15	32317GT	SCREW,HHC,3/8-24 X 1 GR 8 YEL.....2	2
16	6021GT	WASHER,LOCK,.375	
17A	96193GT	PUMP,4CC GEAR,CCW***.....1 <i>Bosch / Rexroth</i>	1
--	233641GT	SEAL KIT,BOSCH PUMP <i>For 96193 w/Bosch PN 9510090001</i>	
--	85197GT	SEAL KIT,BOSCH PUMP*** <i>For 96193 w/Bosch PN 9510290001</i>	
17B		PUMP,4CC GEAR,CCW 228192 <i>Parker (component no longer available)</i>	
--	229453GT	SEAL KIT,PUMP,PARKER (228192) <i>for Parker pump 228192</i>	

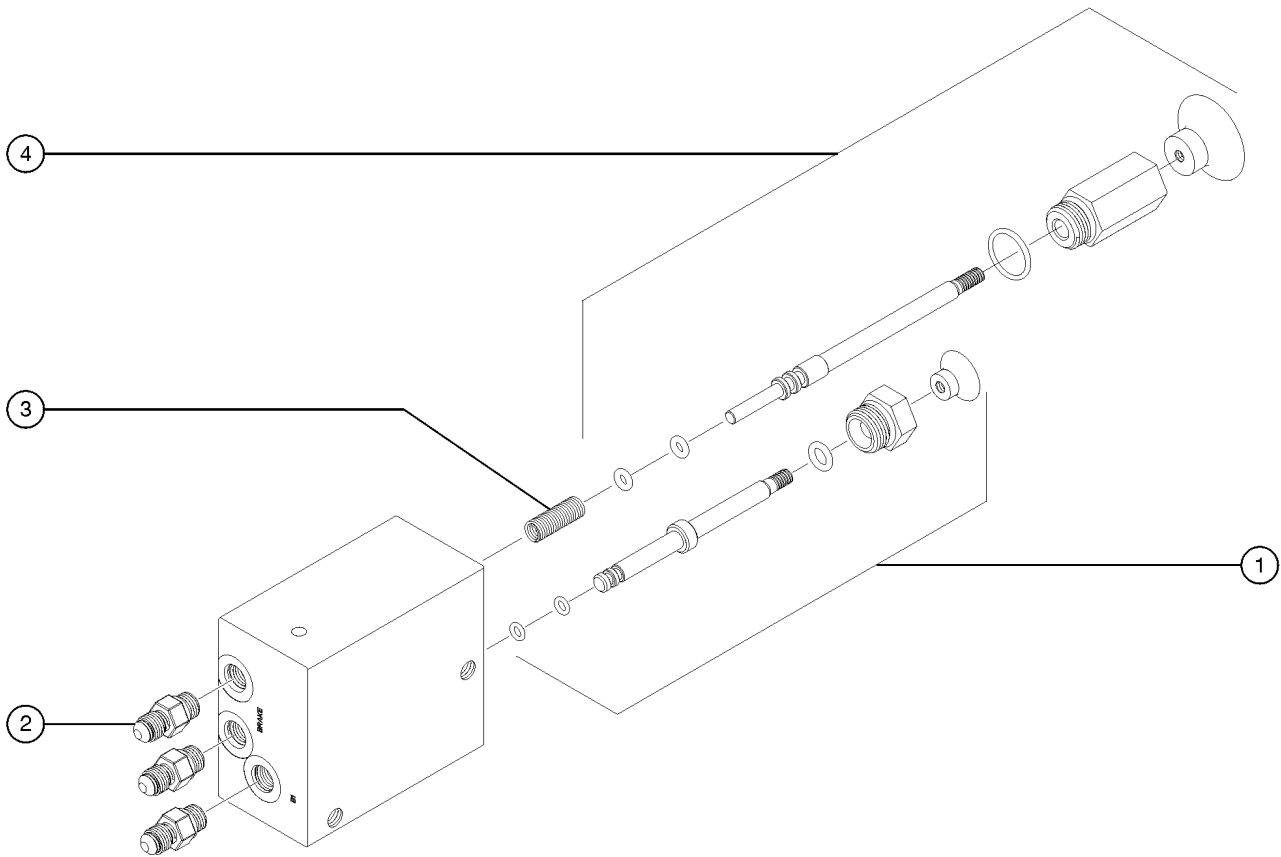
402.1 Function Manifold



## 402.1 Function Manifold

Item	Part No.	Description	Qty.
--	105304GT	MANIFOLD,FUNCTION*** <i>Use the letter callouts to cross-reference with the Service Manual.</i>	
--	49612GT	O-RING KIT (ORFS FITTINGS)	
--	49613GT	PLUG AND CAP KIT-SERVICE,ORFS*	
1	48997GT	NIPPLE,DIAGNOSTIC,#4 <i>(A, Testing)</i>	
--	20224GT	DIAGNOSTIC FEMALE Q-DSCNT <i>(pressure gauge not included)</i>	
--	48880GT	CAP,DIAGNOSTIC NIPPLE	
2	84386GT	CHECK DISK, NO SPRING <i>(B, Steer circuit)</i>	
3	65962GT	VALVE-RELIEF, 3700 PSI #8** <i>(C, Lift relief)</i>	
--	44226GT	SEAL KIT-FOR P.N.44167	
4	46216GT	VALVE,CHECK,IWP-S/CWP PWR ASSI <i>(D, Drive circuit)</i>	
--	44227GT	SEAL KIT, VALVE	
5	105303GT	VALVE, DYN. BRAKING, GS30** <i>(E, Drive forward/reverse)</i>	
--	44174GT	NUT-COIL SHORT	
--	44230GT	SEAL KIT-P.N.44169,44172,44171	
--	84385GT	COIL,20VDC DEUTCSH W/DIODE <i>(sold separately)</i>	
6	44168GT	VALVE,SOLENOID,3POS 4WAY <i>(F, Steer left/right)</i>	
--	44174GT	NUT-COIL SHORT	
--	44229GT	SEAL KIT, VALVE	
--	77709GT	COIL,#8 20VDC,DEUTSCH W/DIOD <i>(sold separately)</i>	
7	84384GT	PRTY,FLOW CNTRL VALVE,.75 GPM <i>(G, Steer Circuit) (0.75 gpm / 2.8 L/min, 1500 psi / 103.4 bar)</i>	
--	1261888GT	SEAL KIT (84384) <i>for 84384</i>	
8	44169GT	VALVE-SOLENOID, 2POS 4 WAY <i>(H, Platform up)</i>	
--	44174GT	NUT-COIL SHORT	
--	44230GT	SEAL KIT-P.N.44169,44172,44171	
--	84385GT	COIL,20VDC DEUTCSH W/DIODE <i>(sold separately)</i>	
9	65962GT	VALVE-RELIEF, 3700 PSI #8** <i>(I, System relief)</i>	
--	44226GT	SEAL KIT-FOR P.N.44167	

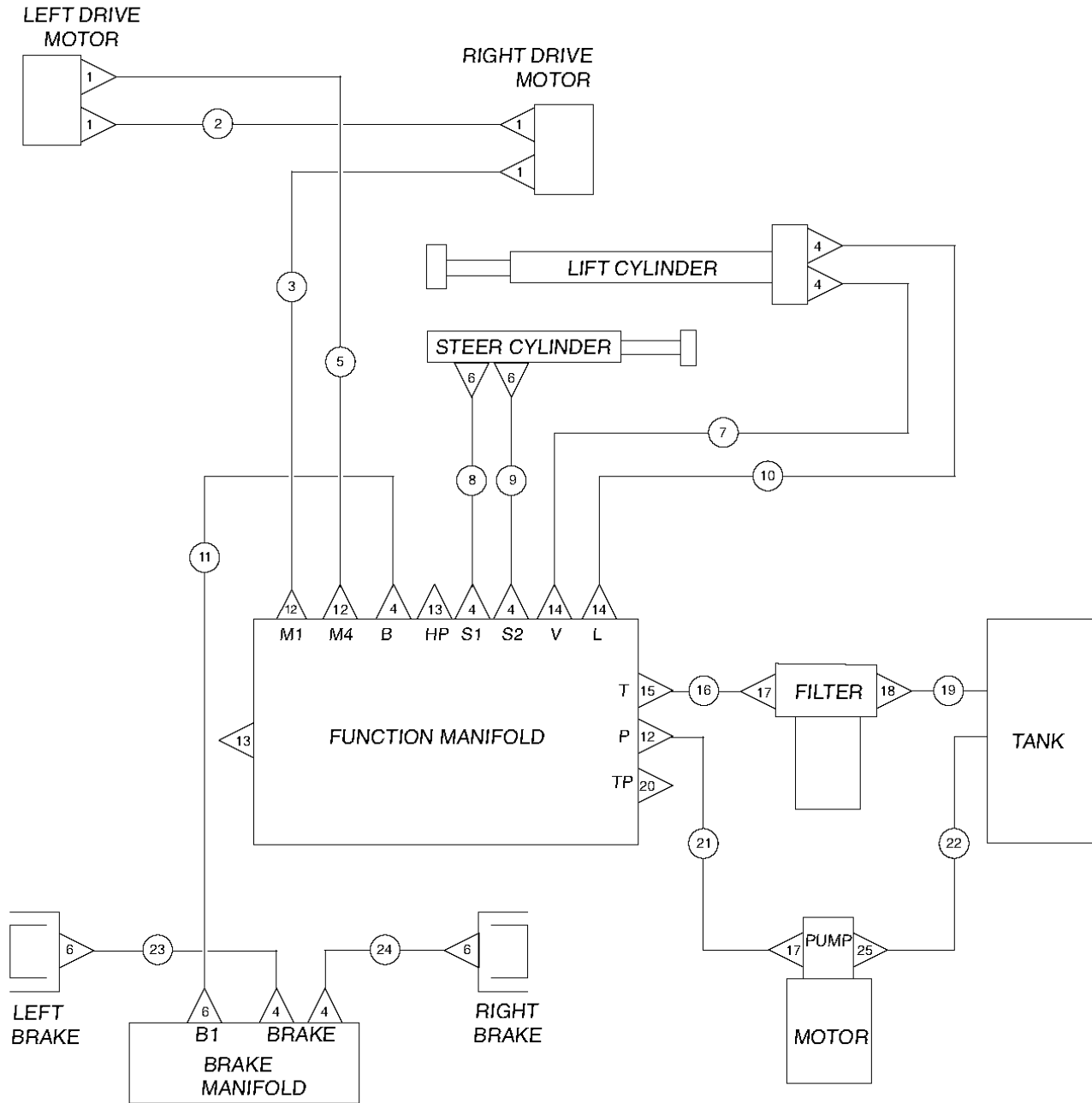
403.1 Brake Release Manifold



403.1 Brake Release Manifold

Item	Part No.	Description	Qty.
--	105067GT	MANIFOLD,BRAKE RELEASE <i>(includes items 1, 3 and 4)</i>	
1	84743GT	VALVE,PILOT OPERATED ASSEMBLY*.....1	1
--	84740GT	SEAL KIT,HAND PUMP***	
--	84746GT	KNOB,PILOT OP VALVE (BLACK)***	
2	39877GT	CONNECTOR,070120-4-4.....3	3
3	84748GT	SPRING,HAND PUMP ROD.....1	1
4	84739GT	VALVE,HAND PUMP ASSEMBLY***.....1	1
--	84740GT	SEAL KIT,HAND PUMP***	
--	84742GT	KNOB,HAND PUMP (RED)***	

404.1 Hydraulic Hoses and Fittings



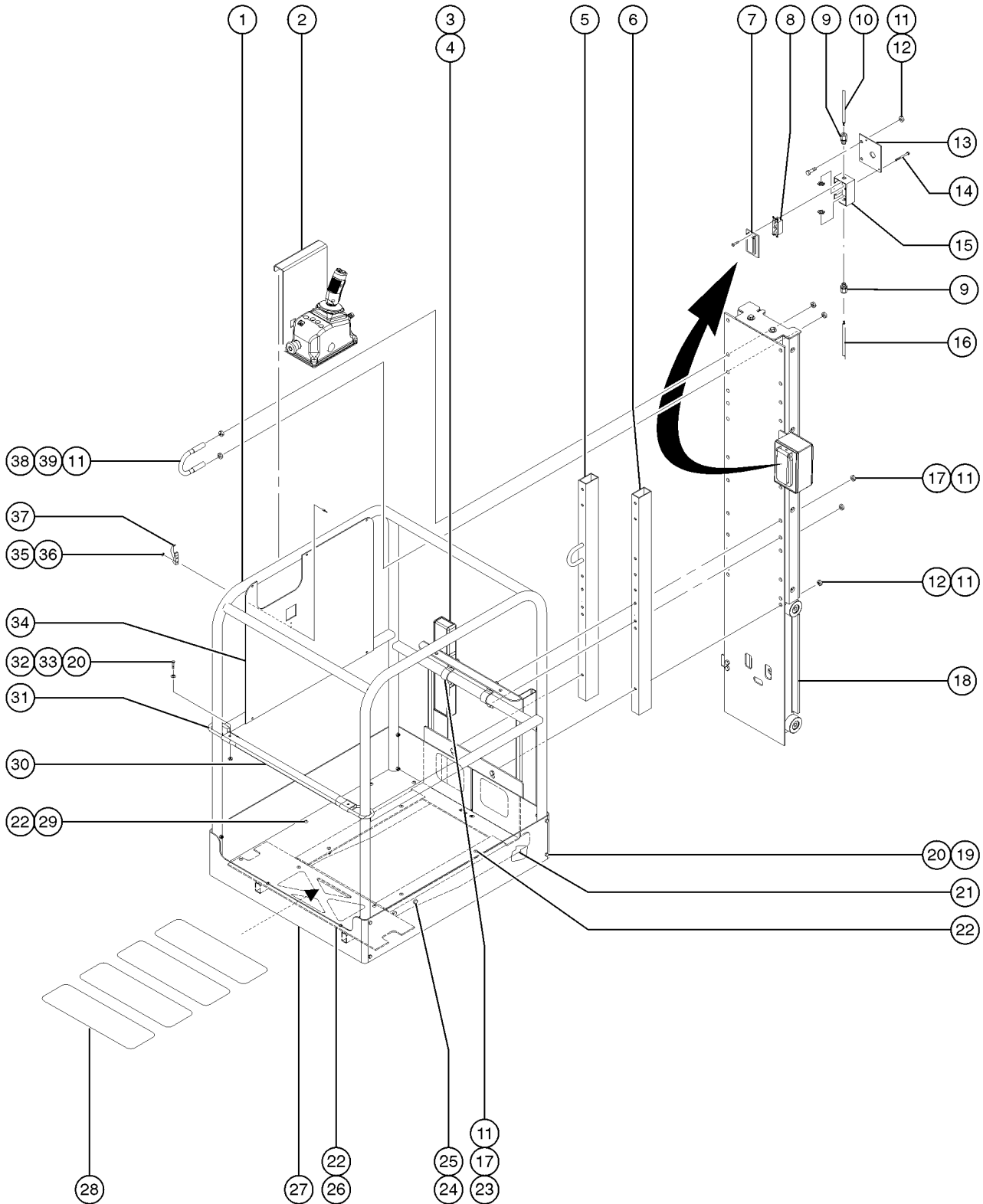
LEGEND	
	ADAPTER
	HOSE ASSEMBLY
	UNION

404.1 Hydraulic Hoses and Fittings

Item	Part No.	Description	Qty.	Item	Part No.	Description	Qty.
1	61264GT	ELBOW,90D,520220,6-10.....	4	22	100510GT	TUBE ASSY, DRAW.....	1
2	100716GT	HOSE, ASSY, MOTOR CROSSOVER..... (to SN GR06-7442) (components: 48812, 48812 and 56776 @ 55 inches)	1	23	100721GT	HOSE, ASSY, LT BRAKE..... (components: 48805, 48805 and 48751 @ 32 inches)	1
2A	109836GT	HOSE,ASSY,MOTOR CROSSOVER (from SN GR06-7443) (components: 48812, 48812 and 56776 @ 38 inches)		24	100722GT	HOSE, ASSY, RT BRAKE..... (components: 48805, 48805 and 48751 @ 14.5 inches)	1
3	100717GT	HOSE, ASSY, RT DRIVE MOTOR..... (to SN GR06-7442) (components: 39890, 48812 and 56776 @ 84 inches)	1	25	22664GT	ELBOW,070220-12-10.....	1
3A	109837GT	HOSE,ASSY,RT DRIVE MOTOR (from SN GR06-7443) (components: 39890, 48812 and 56776 @ 88 inches)					
4	39877GT	CONNECTOR,070120-4-4.....	7				
5	100718GT	HOSE, ASSY, LT DRIVE MOTOR..... (to SN GR06-7442) (components: 39890, 48812 and 56776 @ 80 inches)	1				
5A	109838GT	HOSE,ASSY,LT DRIVE MOTOR (from SN GR06-7443) (components: 39890, 48812 and 56776 @ 92 inches)					
6	13921GT	ELBOW,070220-4-4.....	5				
7	100805GT	HOSE,ASSY,LC. TO MAN, VENT..... (components: 78855, 78855 and 78852 @ 37 inches)	1				
8	100720GT	HOSE, ASSY, RT STEER..... (components: 78855, 78855 and 78852 @ 65 inches)	1				
9	100719GT	HOSE, ASSY, LT STEER..... (components: 78855, 78855 and 78852 @ 69 inches)	1				
10	100724GT	HOSE, ASSY, LIFT CYL. TO MAN..... (components: 78855, 78855 and 78852 @ 33 inches)	1				
11	100723GT	HOSE, ASSY, BRAKE..... (components: 48805, 48806 and 48751 @ 9.5 inches)	1				
12	39878GT	CONNECTOR,070120-6-6.....	3				
13	45374GT	PLUG,HEX HEAD,090109A-4.....	2				
14	39881GT	CONNECTOR,070120-4-6.....	2				
15	39873GT	ELBOW,070220-6-6.....	1				
16	100726GT	HOSE, ASSY, MAN TO FILTER..... (components: 96406, 105045 and 75631 @ 15 inches)	1				
17	39876GT	ELBOW,070220-6-8.....	2				
18	96398GT	CONNECTOR, 070120-12-8.....	1				
19	100486GT	TUBE ASSY,RETURN.....	1				
20		Ref. Diagnostic Nipple (refer to 402.1)					
21	100725GT	HOSE, ASSY, PRESSURE..... (components: 39890, 39890 and 56776 @ 33 inches)	1				



501.1 Standard Platform (to serial number GR08-12101)



501.1 Standard Platform (to serial number GR08-12101)

Item	Part No.	Description	Qty.	Item	Part No.	Description	Qty.
--	107143GT	PLAT ASSY,STD,W,GR12/15,US/CA <i>Assemblies with Word Decals; USA and Canada</i>		8	13585GT	OUTLET, 110V.....1	
--	107144GT	PLAT ASSY,STD,W,GR20,US/CA <i>Assemblies with Word Decals; USA and Canada</i>		--	T112563GT	SVC KIT,UK RECEPT.REPLACEMENT <i>UK; includes rubber gasket</i>	
--	107145GT	PLAT ASSY,STD,SYM,GR12/15,ASIA <i>Assemblies with Symbol Decals; Asia and South America</i>		9	7057GT	CONN. SQZ,1/2NPT .39-.56 MED.....2	
--	107146GT	PLAT ASSY,STD,SYM,GR20,ASIA <i>Assemblies with Symbol Decals; Asia and South America</i>		10		Ref. Wire Harness Assembly <i>(refer to 209.1)</i>	
--	107147GT	PLAT ASSY,STD,CE SYM,GR12/15 <i>Assemblies with Symbol Decals; Europe</i>		11	4828GT	NUT,NYLOCK,3/8-16	
--	107148GT	PLAT ASSY,STD,CE SYM,GR20 <i>Assemblies with Symbol Decals; Europe</i>		12	6175GT	SCREW,HHC,3/8-16 X 1	
--	107149GT	PLAT ASSY,STD,W,GR12/15,AUS <i>Assemblies with Word Decals; Australia</i>		13	124949GT	FORMING,T-JUNCTION MOUNT.....1 <i>(direct replacement for p/n 100955)</i>	
--	107261GT	PLAT ASSY,STD,W,GR20,AUS <i>Assemblies with Word Decals; Australia</i>		14	21018GT	SCREW,PHIL,PHM,10-24 X.38,SEMS	
1	107263GT	STD PLAT RAILING ASSY,WRDS,GR....1 <i>USA, Canada, Australia</i>		15	10775GT	T-BOX, 2.75 x 4.5 x 2.0.....1 <i>ANSI and CSA</i>	
1A	107262GT	STD PLAT RAILING ASSY,CE SY,GR <i>Europe, Asia, South America</i>		--	69919GT	JUNCTION BOX, 4 OUTLET, DEEP <i>CE</i>	
2		Ref. Platform Controls <i>(refer to 508.1)</i>		16		Ref. Wire Harness Assembly <i>(refer to 209.1)</i>	
3	38728GT	INSTRUCTION TUBE,AWP96.....1		17	22832GT	SCREW,HHC,3/8-16 X 6 <i>GR-12</i>	
--	107272GT	INST.STORAGE BOX ASSY*WORDS <i>USA, Canada, Australia</i>		17A	6605GT	SCREW,HHC,3/8-16 X 3.5,GR5 <i>GR-15</i>	
4	6271GT	RIVET,STL,STL.MAN,P,.25 X .25.....2		17B	6019GT	SCREW,HHC,3/8-16 X 1.25 GRD 5 <i>GR-20</i>	
4	75144GT	WASHER,FLAT,SAE 1/4",ZINC.....2		18		Ref. Carriage <i>(refer to 306.1)</i>	
5	100960GT	WLDM,PLAT SPCR W/LNYD,ANSI,TAL.....1 <i>GR-12 (ANSI and CSA)</i>		19	6637GT	SCREW,HHC,1/4-20 X 1.75	
5A	100957GT	WLDMT,PLAT SPACER W/LNYD, CE <i>GR-12 (CE)</i>		20	6091GT	NUT,NYLOCK,1/4-20	
5B	100956GT	WLDMT,PLAT SPACER W/LNYD,ANSI <i>GR-15 (ANSI and CSA)</i>		21A	124888GT	KIT,STD PLAT,ANSI,GR.....1 <i>ANSI and CSA</i>	
6	100958GT	TUBE,PLATFORM SPACER,ANSI,TALL.....1 <i>GR-12 (ANSI and CSA)</i>		21B	124889GT	KIT,EXT PLAT,ANSI,GR	
6A	100952GT	TUBE, PLATFORM SPACER, CE <i>GR-12 (CE)</i>		21C	124891GT	KIT,STKPKR PLAT,ANSI,GR	
6B	100951GT	TUBE, PLATFORM SPACER, ANSI <i>GR-15 (ANSI and CSA)</i>		22	71315GT	RIVET,DRIVE, .25 X .25	
7	45437GT	COVER,GFCI,WEATHERPROOF.....1 <i>includes gasket and mounting fasteners</i>		23	38586GT	CLAMP,PLATFORM MOUNT.....2	
--	10777GT	COVER,BLANK <i>includes gasket, blank cover and mounting fasteners</i>		24	7713GT	NUT, LP NYLOCK, 3/8-16	
--	33629GT	PLATE,UK POWER TO PLATFORM <i>UK</i>		25	13918GT	SCREW,HHC,3/8-16 X 1.75,GRD.8.....4	
				26	100550GT	WELDMENT, PLAT SUPPORT EXT.....1	
				27	107273GT	TOEBOARD ASSY W/DEC, STD,GR....1	
				28	24537GT	TAPE,NON-SKID,DIE CUT,6"X 2'.....4	
				29	100784GT	PLATE, FLOORING, LG PLAT.....1	
				30	100883GT	TUBE, SLIDING MIDRAIL.....1	
				31	41292GT	MID-RAIL GUIDE WITH LOOM.....2	
				--	31146GT	WIRE LOOM,.413" NON-SLIT***.....16-inches	
				32	6888GT	SCREW,HHC,1/4-20 X 1	
				33	6638GT	WASHER,FLAT,USS,1/4"Y	



501.1 Standard Platform (to serial number GR08-12101)  
(continued)

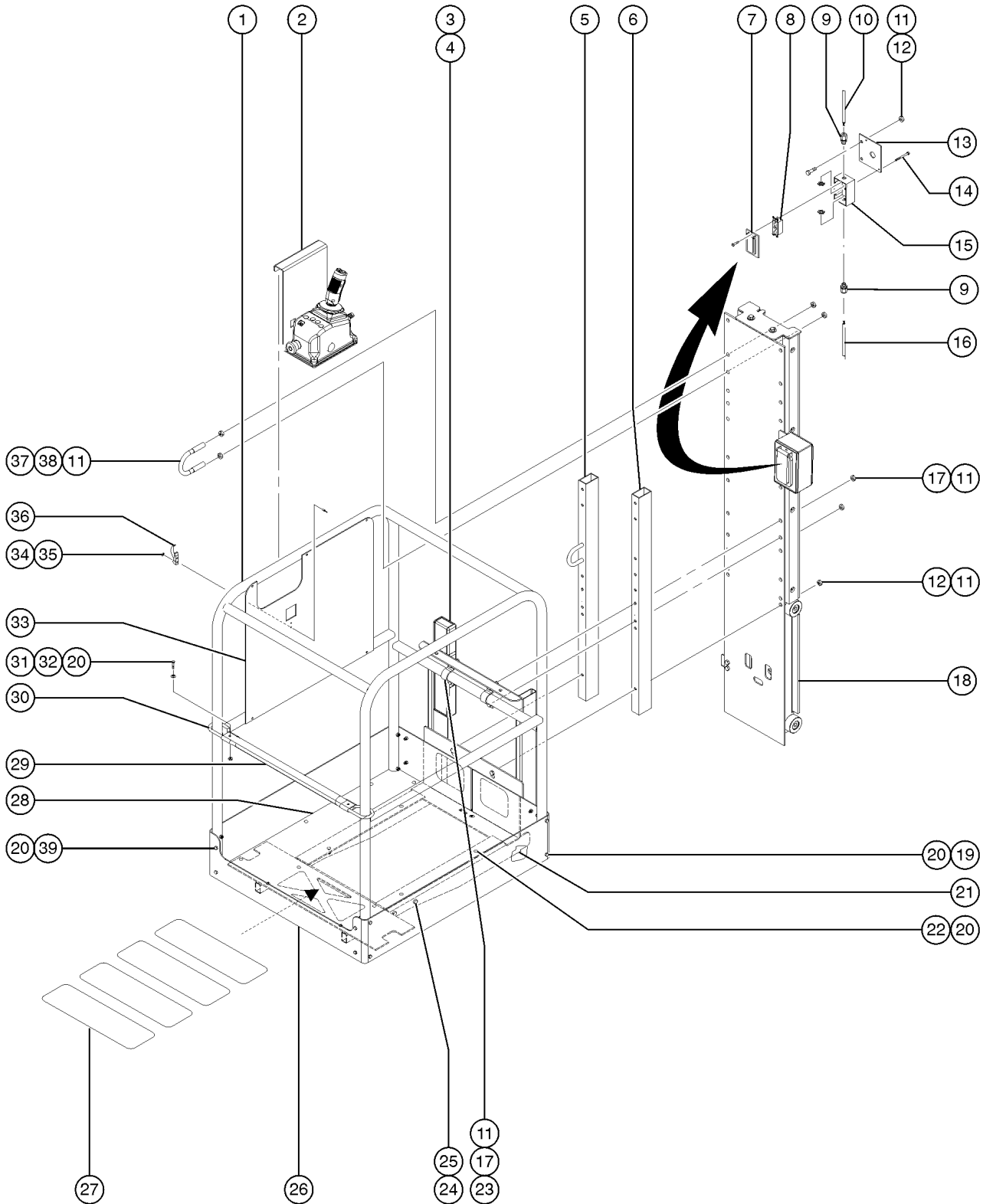
Item	Part No.	Description	Qty.
34	107264GT	DECAL PLATE ASSY,GR12/15,W,USA.....1 <i>(Assemblies with Word Decals; USA and Canada)</i>	
--	107265GT	DECAL PLATE ASSY,GR20,W,USA <i>(Assemblies with Word Decals; USA and Canada)</i>	
34A	107266GT	DECAL PLATE ASSY,GR12/15,W,AUS.....1 <i>(Assemblies with Word Decals; Australia)</i>	
--	107267GT	DECAL PLATE ASSY,GR20,W,AUS <i>(Assemblies with Word Decals; Australia)</i>	
34B	107270GT	DECAL PLT ASSY,GR12/15,CE SY.....1 <i>(Assemblies with Symbol Decals; Europe)</i>	
--	107271GT	DECAL PLT ASSY,GR20,CE SY <i>(Assemblies with Symbol Decals; Europe)</i>	
34C	107268GT	DECAL PLT ASSY,GR12/15,SY,ASIA.....1 <i>(Assemblies with Symbol Decals; Asian and South America)</i>	
--	107269GT	DECAL PLT ASSY,GR20,SY,ASIA <i>(Assemblies with Symbol Decals; Asian and South America)</i>	
35	11805GT	WASHER,FLAT,MS,#6,Y	
36	38600GT	RIVET,STL,STL,.156 X .50	
37	47218GT	DRAW LATCH,OVER-CENTER*** <i>(includes keeper and latch)</i>	
--	62819GT	KEEPER, OVER CENTER LATCH TMZ	
38	6090GT	SCREW,HHC,1/4-20 X .75	
38	6550GT	U-BOLT,3/8 X 1 YZ	
39	4828GT	NUT,NYLOCK,3/8-16	

---

501.1 Standard Platform (to serial number GR08-12101)  
(continued)

***This Page Intentionally Left Blank***

501.2 Standard Platform (from serial number GR08-12102)



501.2 Standard Platform (from serial number GR08-12102)

Item	Part No.	Description	Qty.	Item	Part No.	Description	Qty.
--	107143GT	PLAT ASSY,STD,W,GR12/15,US/CA <i>USA and Canada</i>		--	T112563GT	SVC KIT,UK RECEPT.REPLACEMENT <i>(includes rubber gasket)</i>	
--	107144GT	PLAT ASSY,STD,W,GR20,US/CA <i>USA and Canada</i>		9	7057GT	CONN. SQZ,1/2NPT .39-.56 MED.	
--	107149GT	PLAT ASSY,STD,W,GR12/15,AUS <i>Australia</i>		10		Ref. Wire Harness Assembly <i>(refer to 209.1)</i>	
--	107261GT	PLAT ASSY,STD,W,GR20,AUS <i>Australia</i>		11	4828GT	NUT,NYLOCK,3/8-16	
--	107147GT	PLAT ASSY,STD,CE SYM,GR12/15 <i>Europe</i>		12	6175GT	SCREW,HHC,3/8-16 X 1	
--	107148GT	PLAT ASSY,STD,CE SYM,GR20 <i>Europe</i>		13	100955GT	PLATE, T-JUNCTION MOUNT	
--	107145GT	PLAT ASSY,STD,SYM,GR12/15,ASIA <i>Asia and South America</i>		14	21018GT	SCREW,PHIL,PHM,10-24 X.38,SEMS	
--	107146GT	PLAT ASSY,STD,SYM,GR20,ASIA <i>Asia and South America</i>		15	10775GT	T-BOX, 2.75 x 4.5 x 2.0.....1	
1	107263GT	STD PLAT RAILING ASSY,WRDS,GR....1 <i>USA, Canada, Australia</i>		--	69919GT	JUNCTION BOX, 4 OUTLET, DEEP <i>(2 openings, CE)</i>	
1A	107262GT	STD PLAT RAILING ASSY,CE SY,GR <i>Europe, Asia, South America</i>		16		Ref. Wire Harness Assembly <i>(refer to 209.1)</i>	
2		Ref. Platform Controls <i>(refer to 508.1)</i>		17	22832GT	SCREW,HHC,3/8-16 X 6 <i>GR-12</i>	
3	38728GT	INSTRUCTION TUBE,AWP96.....1		17A	6605GT	SCREW,HHC,3/8-16 X 3.5,GR5 <i>GR-15</i>	
--	107272GT	INST.STORAGE BOX ASSY'WORDS <i>USA, Canada, Australia</i>		17B	6019GT	SCREW,HHC,3/8-16 X 1.25 GRD 5 <i>GR-20</i>	
4	6271GT	RIVET,STL,STL.MAN,P,.25 X .25.....2		18		Ref. Carriage <i>(refer to 306.1)</i>	
4	75144GT	WASHER,FLAT,SAE 1/4",ZINC.....2		19	6637GT	SCREW,HHC,1/4-20 X 1.75	
5	100960GT	WLDM,PLAT SPCR W/LNYD,ANSI,TAL.....1 <i>USA and Canada</i>		20	6091GT	NUT,NYLOCK,1/4-20	
5A	100957GT	WLDMT,PLAT SPACER W/LNYD, CE <i>Europe</i>		21	124624GT	PLATFORM SUPPORT ASSY,ANSI.....1 <i>USA and Canada</i>	
5B	100956GT	WLDMT,PLAT SPACER W/LNYD,ANSI <i>USA and Canada</i>		22	124580GT	BOLT,CARRIAGE,1/4X.75,G5	
6	100958GT	TUBE,PLATFORM SPACER,ANSI,TALL.....1 <i>USA and Canada</i>		23	38586GT	CLAMP,PLATFORM MOUNT	
6A	100952GT	TUBE, PLATFORM SPACER, CE <i>Europe</i>		24	7713GT	NUT, LP NYLOCK, 3/8-16	
6B	100951GT	TUBE, PLATFORM SPACER, ANSI <i>USA and Canada</i>		25	13918GT	SCREW,HHC,3/8-16 X 1.75,GRD.8	
7	45437GT	COVER,GFCI,WEATHERPROOF.....1 <i>(includes gasket and mounting fasteners)</i>		26	115419GT	TOEBOARD ASSY W/DEC, STD,GR....1	
--	10777GT	COVER,BLANK <i>(includes gasket, blank cover and mounting fasteners)</i>		27	24537GT	TAPE,NON-SKID,DIE CUT,6"X 2'.....4	
--	33629GT	PLATE,UK POWER TO PLATFORM <i>to SN GR11-17917</i>		28	124888GT	KIT,STD PLAT,ANSI,GR.....1 <i>USA and Canada</i>	
--	T112561GT	PLATE,UK,POWER TO PLAT <i>from SN GR11-17918</i>		28A	124883GT	KIT,STD PLAT,CE,GR <i>Europe and Australia</i>	
8	13585GT	OUTLET, 110V.....1		29	100883GT	TUBE, SLIDING MIDRAIL.....1	
				30	41292GT	MID-RAIL GUIDE WITH LOOM.....2	
				--	31146GT	WIRE LOOM,.413" NON-SLIT*** .....16-inches	
				31	6888GT	SCREW,HHC,1/4-20 X 1	
				32	6638GT	WASHER,FLAT,USS,1/4"Y	
				33	107264GT	DECAL PLATE ASSY,GR12/15,W,USA.....1 <i>USA and Canada</i>	
				--	107265GT	DECAL PLATE ASSY,GR20,W,USA <i>USA and Canada</i>	
				--	107268GT	DECAL PLT ASSY,GR12/15,SY,ASIA <i>Asia and South America</i>	



501.2 Standard Platform (from serial number GR08-12102)  
(continued)

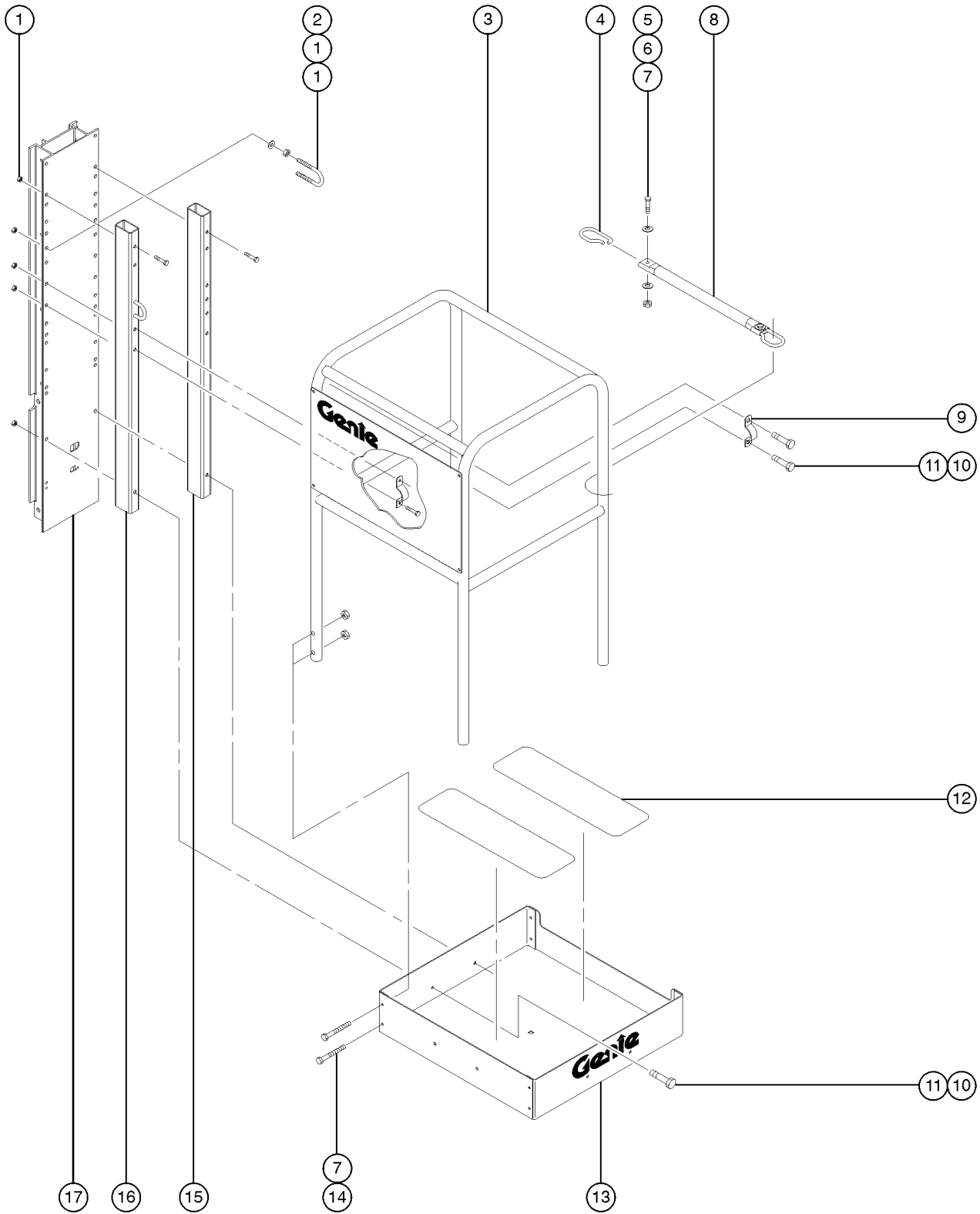
Item	Part No.	Description	Qty.
--	107269GT	DECAL PLT ASSY,GR20,SY,ASIA <i>Asia and South America</i>	
--	107270GT	DECAL PLT ASSY,GR12/15,CE SY <i>Europe</i>	
--	107271GT	DECAL PLT ASSY,GR20,CE SY <i>Europe</i>	
34	11805GT	WASHER,FLAT,MS,#6,Y	
35	38600GT	RIVET,STL,STL,.156 X .50	
36	47218GT	DRAW LATCH,OVER-CENTER*** <i>(includes keeper and latch)</i>	
--	62819GT	KEEPER, OVER CENTER LATCH TMZ	
37	6550GT	U-BOLT,3/8 X 1 YZ <i>GR-20</i>	
38	6022GT	NUT,HEX,3/8-16 <i>GR-20</i>	
39	6090GT	SCREW,HHC,1/4-20 X .75	

---

501.2 Standard Platform (from serial number GR08-12102)  
(continued)

***This Page Intentionally Left Blank***

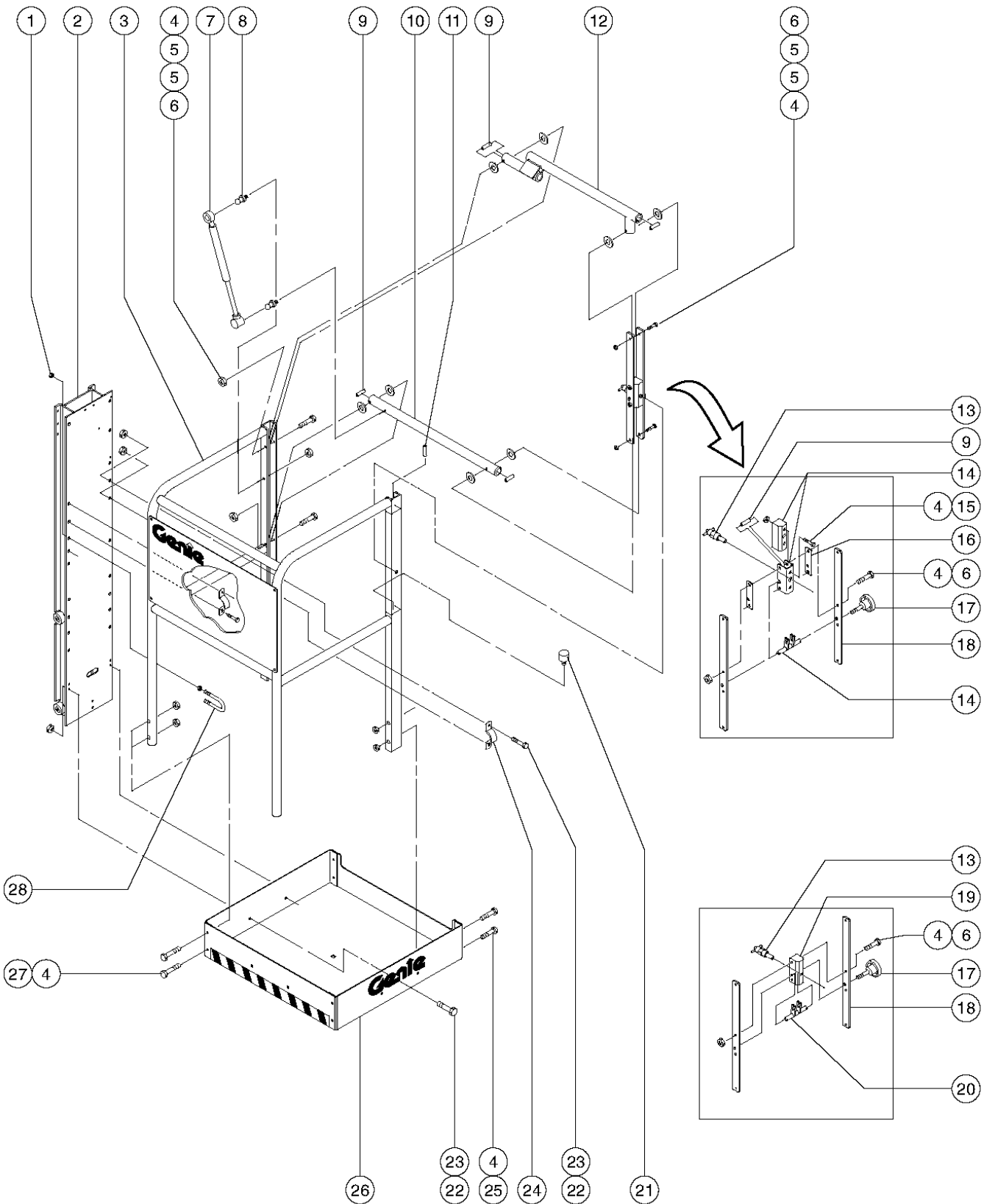
502.1 Standard Platform (AWP Option)



## 502.1 Standard Platform (AWP Option)

Item	Part No.	Description	Qty.
--	150089GT	Plat AWP wrd ANSI-CSA, GR <i>Assemblies with Word Decals; USA and Canada</i>	
--	150090GT	Plat AWP wrd Aust, GR <i>Assemblies with Word Decals; Australia</i>	
--	150091GT	Plat AWP sybl ANSI-CSA, GR <i>Assemblies with Symbol Decals; Asia and South America</i>	
--	150092GT	Plat AWP sybl CE, GR <i>Assemblies with Symbol Decals; Europe</i>	
1	4828GT	NUT,NYLOCK,3/8-16	
2	6550GT	U-BOLT,3/8 X 1 YZ	
3	37392GT	RAILING WELDMENT,STD AWP96'	
4	41292GT	MID-RAIL GUIDE WITH LOOM.....2	
--	31146GT	WIRE LOOM,.413" NON-SLIT*** .....16-inches	
5	6888GT	SCREW,HHC,1/4-20 X 1	
6	56660GT	WASHER,RIVETING	
7	6091GT	NUT,NYLOCK,1/4-20	
8	107391GT	MID RAIL TUBE ASSY W/ DECAL.....1	
9	38586GT	CLAMP,PLATFORM MOUNT.....2	
10A	6605GT	SCREW,HHC,3/8-16 X 3.5,GR5 GR-12	
10B	6175GT	SCREW,HHC,3/8-16 X 1 GR-15, GR-20	
11	4828GT	NUT,NYLOCK,3/8-16	
12	24537GT	TAPE,NON-SKID,DIE CUT,6"X 2'.....2	
13	38204GT	TOEBOARD-STD.W/DECALS AWP/IWP .....1 <i>includes item 10</i>	
14	4266GT	SCREW,HHC,1/4-20 X 2	
15A	124125GT	SPACER,AWP PLAT,GR12 <i>(power unit side, without lanyard eye)</i>	
15B	1264278GT	SPACER,ANSI&AWP,PTD,GR12/15 GR-12 & GR-15; replaced 124125 from SN GR15-37684	
16	124126GT	WLDMT,AWP SPACER,GR12.....1 <i>(ground controls side, with lanyard eye)</i>	
17		Ref. Carriage Assembly <i>(refer to 306.1)</i>	

503.1 Gate Entry Platform (AWP option)

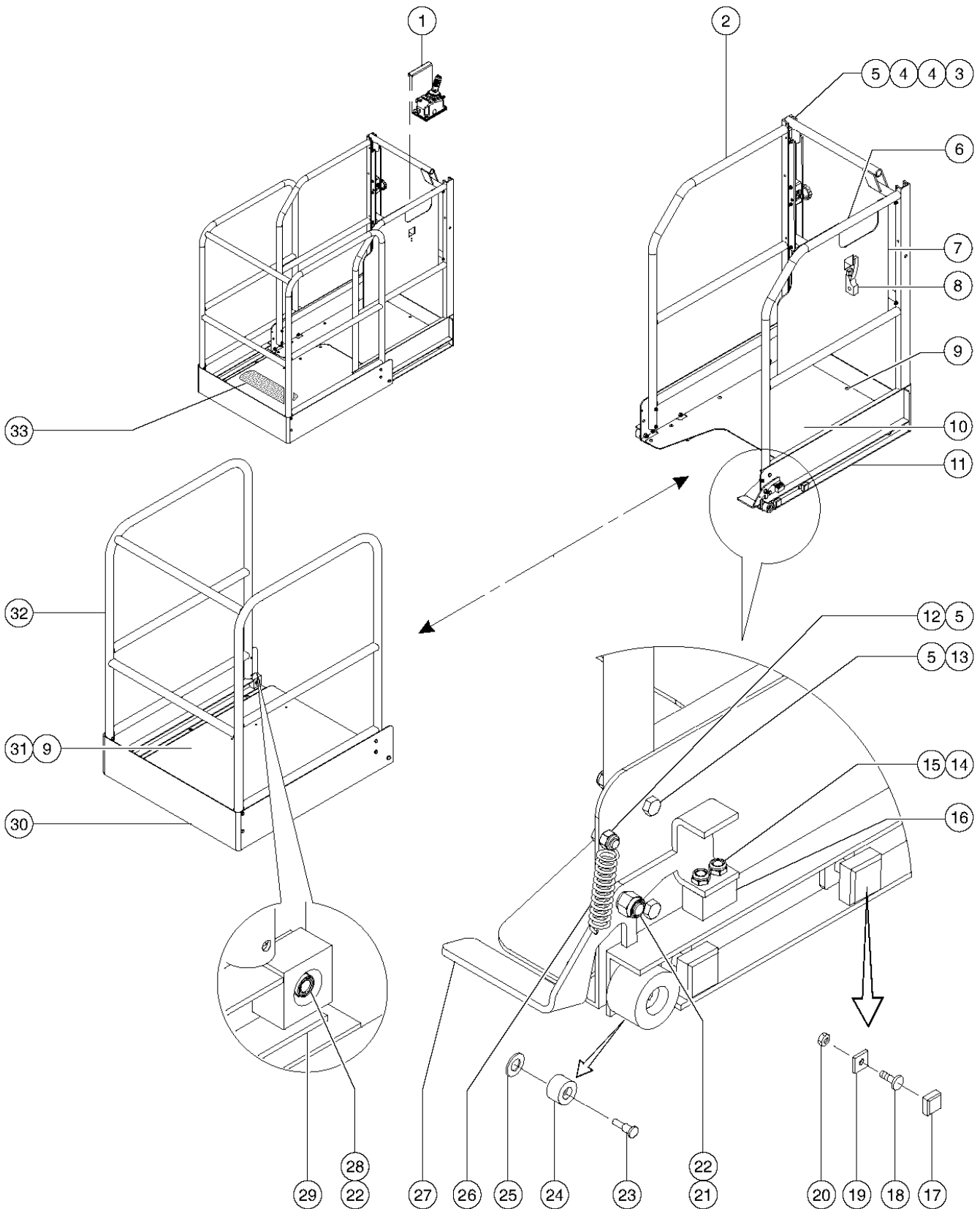


503.1 Gate Entry Platform (AWP option)

Item	Part No.	Description	Qty.	Item	Part No.	Description	Qty.
--	150093GT	GR GATED PLATFORM, ANSI-CSA <i>USA and Canada</i>		15	38582GT	SCREW,SHC,1/4-20 X 1	
--	150094GT	GR GATED NARROW PLAT,ANSI-CSA <i>USA and Canada</i>		16	37979GT	PLATE,SHIM.....2	
--	150095GT	GR GATED STD PLAT, AUSTRALIA <i>Australia</i>		17	26787GT	KNOB.....2	
--	150096GT	GR GATED NRW PLAT, AUSTRALIA <i>Australia</i>		--	2095GT	SCREW,SET,HS 10-32 X.25	
--	150097GT	GR GATED STD PLAT, ASIA/S.AMER <i>shown; Assemblies with Symbol Decals; Asia and South America</i>		18	26780GT	PLATE,HINGE.....2	
--	150098GT	GR GATED NRW PLAT, ASIA/S.AMER <i>Assemblies with Symbol Decals; Asia and South America</i>		19	57116GT	HOUSING, LATCH, AWP/IWP/CWP.....1	
--	150099GT	AWP STD PLAT SYM CE, GR <i>Assemblies with Symbol Decals; Europe</i>		20	57138GT	LATCH ROTATOR, GATED PLATFORM.....1	
--	150100GT	GR GATED NRW PLATFORM SYM, CE <i>Assemblies with Symbol Decals; Europe</i>		21	26785GT	BUMPER,RUBBER.....1	
1	4828GT	NUT,NYLOCK,3/8-16		22	6175GT	SCREW,HHC,3/8-16 X 1	
2		Ref. Carriage Assembly <i>(refer to 306.1)</i>		23	4828GT	NUT,NYLOCK,3/8-16	
3	100685GT	PLATFORM AWP GATED STD, GR <i>shown</i>		24	38586GT	CLAMP,PLATFORM MOUNT.....2	
3A	37705GT	PLATFORM WELDMENT,NARROW GATED		25	6888GT	SCREW,HHC,1/4-20 X 1	
4	6091GT	NUT,NYLOCK,1/4-20		26	38204GT	TOEBOARD-STD.W/DECALS AWP/IWP.....1 <i>shown</i>	
5	12013GT	SHIM,.375 X .063 <i>used on models manufactured before GR15-36855 that have not been updated to new gate arm</i>		26A	40258GT	TOEBOARD W/DECALS,NARROW	
6	6884GT	SCREW,HHC,1/4-20 X 2.5		--	24537GT	TAPE,NON-SKID,DIE CUT,6"X 2'	
7	226802GT	GAS STRUT,20LB,13"EXT-9"CLOSED....1		27	4266GT	SCREW,HHC,1/4-20 X 2	
--	65874GT	CONNECTOR, NYLON END (35893)**		28	6550GT	U-BOLT,3/8 X 1 YZ	
8	40265GT	BALL STUD,GAS STRUT (38593)***.....2					
9	37719GT	BUSHING,1.5 X 3/8 OD X 1/4 ID.....6 <i>used on models manufactured before GR15-36855 that have not been updated to new gate arm</i>					
10A	824462GT	ASM, ARM, LOWER PIVOT STD.....1 <i>includes item 8; shown; replaced 40264</i>					
10B	145269GT	ASM, BOT TUBE AWP NRW PLAT GR					
11	38338GT	PIN,SPRING,.25X.75 ZINC PLATED					
12A	824472GT	ASM, GATE ARM STD.....1 <i>(replaced 37982)</i>					
12B	824457GT	ASM, UPPER GATE ARM NRW <i>(replaced 38050)</i>					
13	37732GT	PIN,PULL.....1					
14	38223GT	BRKT.LATCH ASSY.GATED,S SERIES.....1 <i>includes items 13, 19 and 20</i>					



504.1 Platform with Extension Deck (to serial number GR07-8575)



504.1 Platform with Extension Deck (to serial number GR07-8575)

Item	Part No.	Description	Qty.	Item	Part No.	Description	Qty.
--	107274GT	PLAT ASSY,EXT-GTD,GR12/15,WRDS <i>Assemblies with Word Decals; USA and Canada</i>		3	6884GT	SCREW,HHC,1/4-20 X 2.5	
--	107275GT	PLAT ASSY,EXT-GTD,GR20,WRDS <i>Assemblies with Word Decals; USA and Canada</i>		4	12013GT	SHIM,.375 X .063	
--	107362GT	PLAT ASSY,EXT-MID,GR12/15,WRDS <i>Assemblies with Word Decals; USA and Canada</i>		5	6091GT	NUT,NYLOCK,1/4-20	
--	107363GT	PLAT ASSY,EXT-MID,GR20,WRDS <i>Assemblies with Word Decals; USA and Canada</i>		6	109834GT	WELDMENT,INNER PUSH RAIL,RH.....1 <i>(from SN GR06-7390) (for models to SN GR06-7389, also order the items listed below)</i>	
--	107276GT	PLAT ASSY,EXT-GTD,GR12/15,W AU <i>Assemblies with Word Decals; Australia</i>		--	109682GT	KIT,SRV,AWP/IWP 2HAND PLATCTRL	
--	107277GT	PLAT ASSY,EXT-GTD,GR20,W AU <i>Assemblies with Word Decals; Australia</i>		--	109684GT	PLUG, BLANKING	
--	107364GT	PLAT ASSY,EXT-MID,GR12/15,W,AU <i>Assemblies with Word Decals; Australia</i>		--	109685GT	CABLE AND HOSE CLAMP	
--	107365GT	PLAT ASSY,EXT-MID,GR,WORD,AU <i>Assemblies with Word Decals; Australia</i>		--	109686GT	PLATE, CABLE AND HOSE CLAMP	
--	107280GT	PLAT ASSY,EXT-GTD,GR12/15,CESY <i>Assemblies with Symbol Decals; Europe</i>		--	109687GT	FORMING, REC PLUG MOUNT	
--	107281GT	PLAT ASSY,EXT-GTD,GR20,CESY <i>Assemblies with Symbol Decals; Europe</i>		--	109802GT	PLUG,ORB #6	
--	107368GT	PLAT ASSY,EXT-MID,GR12/15,CESY <i>Assemblies with Symbol Decals; Europe</i>		7	109901GT	DECAL ASSY,EXT,GR12/15,W,USA.....1 <i>models with extension platform; Assemblies with Word Decals; USA and Canada</i>	
--	107369GT	PLAT ASSY,EXT-MID,GR20,CE SY <i>Assemblies with Symbol Decals; Europe</i>		--	109902GT	DECAL ASSY,EXT,GR20,W,USA <i>model with extension deck; Assemblies with Word Decals; USA and Canada</i>	
--	107278GT	PLAT ASSY,EXT-GTD,GR12/15,SYM <i>Assemblies with Symbol Decals; Asia and South America</i>		7A	109903GT	DECAL ASSY,EXT,GR12/15,W,AUS.....1 <i>models with extension platform; Assemblies with Word Decals; Australia</i>	
--	107279GT	PLAT ASSY,EXT-GTD,GR20,SYM <i>Assemblies with Symbol Decals; Asia and South America</i>		--	109904GT	DECAL ASSY,GR20,W,AUS <i>model with extension platform; Assemblies with Word Decals; Australia</i>	
--	107366GT	PLAT ASSY,EXT-MID,GR12/15,SYMB <i>Assemblies with Symbol Decals; Asia and South America</i>		7B	109905GT	DECAL ASSY,EXT,GR12/15,SY,CE.....1 <i>models with extension platform; Assemblies with Symbol Decals; Europe</i>	
--	107367GT	PLAT ASSY,EXT-MID,GR20,SYMB <i>Assemblies with Symbol Decals; Asia and South America</i>		--	109906GT	DECAL ASSY,EXT,GR20,SY,CE <i>model with extension platform; Assemblies with Symbol Decals; Europe</i>	
1		Ref. Platform Controls <i>(refer to 505.1)</i>		7C	109907GT	DECAL ASSY,EXT,GR12/15,SY,ASIA.....1 <i>models with extension platform; Assemblies with Symbol Decals; Asian and South America</i>	
2	109833GT	WELDMENT,INNER PUSH RAIL,LH.....1 <i>(from SN GR06-7390) (for models to SN GR06-7389, also order the items listed below)</i>		--	109908GT	DECAL ASSY,EXT,GR20,SY,ASIA <i>model with extension platform; Assemblies with Symbol Decals; Asian and South America</i>	
--	109682GT	KIT,SRV,AWP/IWP 2HAND PLATCTRL		8	47218GT	DRAW LATCH,OVER-CENTER*** <i>includes keeper and latch</i>	
--	109684GT	PLUG, BLANKING		--	62819GT	KEEPER, OVER CENTER LATCH TMZ	
--	109685GT	CABLE AND HOSE CLAMP		9	71315GT	RIVET,DRIVE, .25 X .25	
--	109686GT	PLATE, CABLE AND HOSE CLAMP		10	109833GT	WELDMENT,INNER PUSH RAIL,LH.....1	
--	109687GT	FORMING, REC PLUG MOUNT		11	100652GT	WELDMENT, INNERDECK PLATFORM.....1	
--	109802GT	PLUG,ORB #6		12	7339GT	SCREW, HHC, 1/4-20 X .5	
				13	6637GT	SCREW,HHC,1/4-20 X 1.75	
				14	41077GT	SCREW,SHC,1/4-20 X .875	
				15	6889GT	NUT,LP NYLOCK,1/4-20	



504.1 Platform with Extension Deck (to serial number GR07-8575)  
(continued)

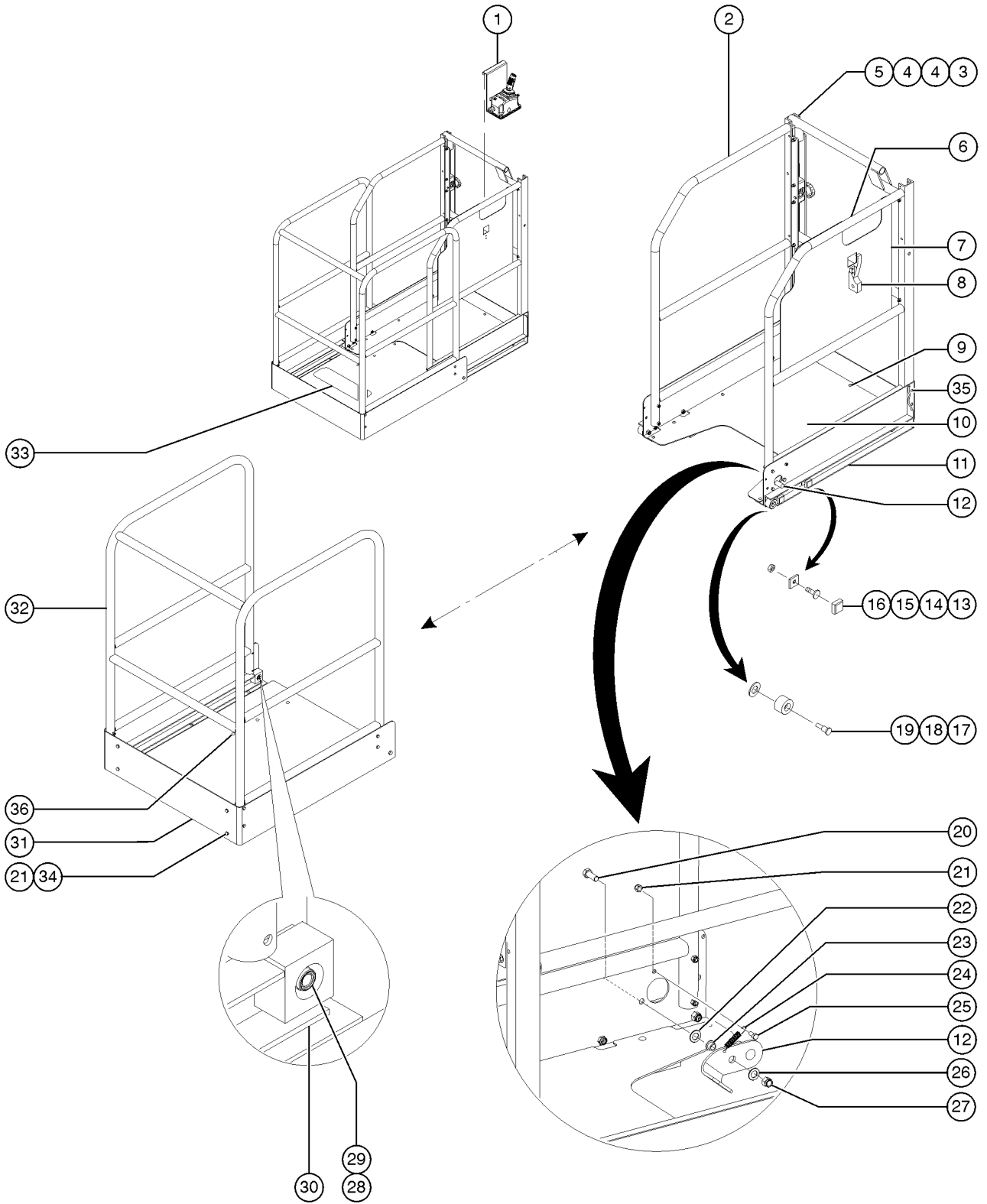
Item	Part No.	Description	Qty.
16	69556GT	WEARPAD,EXT PLAT/LATCH PLASTIC.....	2
17	38011GT	SHIM,SIDE PAD.....	4
18	40946GT	BOLT,SHIM	
19	38013GT	SHIM NUT,ADJUSTER	
20	7713GT	NUT, LP NYLOCK, 3/8-16	
21	28487GT	SCREW,BHHS,3/8-16 X 1	
--	33720GT	BEARING,FLANGE,3/8 ( AWP & ST)	
22	4828GT	NUT,NYLOCK,3/8-16	
23	21280GT	BOLT-ROLLER,3/8-24 X 1.69-ZINC	
24	11906GT	ROLLER-NYLATRON, 1.625" O.D.....	2
--	21279GT	BUTTON, .800 O.D. X .281	
25	6097GT	WASHER,FLAT,USS,3/8",Y	
26	69466GT	SPRING, EXTENSION .375 X .20.....	1
27	100816GT	FORMING, FOOTRELEASE.....	1
28	6019GT	SCREW,HHC,3/8-16 X 1.25 GRD 5	
29	69397GT	SLIDE BLOCK, EXT. PLATFORM.....	1
30	107340GT	OUTER DECK ASSY W/DECALS.....	1
31	100647GT	PLATE, FLOORING, OUTERDECK.....	2
32	100655GT	WELDMENT, RAIL, OUTER DECK.....	1
33	24537GT	TAPE,NON-SKID,DIE CUT,6"X 2'.....	4

---

504.1 Platform with Extension Deck (to serial number GR07-8575)  
(continued)

***This Page Intentionally Left Blank***

504.2 Platform with Extension Deck (from SN GR07-8576)



504.2 Platform with Extension Deck (from SN GR07-8576)

Item	Part No.	Description	Qty.	Item	Part No.	Description	Qty.
--	107274GT	PLAT ASSY,EXT-GTD,GR12/15,WRDS <i>USA and Canada</i>		--	109682GT	KIT,SRV,AWP/IWP 2HAND PLATCTRL	
--	107275GT	PLAT ASSY,EXT-GTD,GR20,WRDS <i>USA and Canada</i>		--	109684GT	PLUG, BLANKING	
--	107362GT	PLAT ASSY,EXT-MID,GR12/15,WRDS <i>USA and Canada</i>		--	109685GT	CABLE AND HOSE CLAMP	
--	107363GT	PLAT ASSY,EXT-MID,GR20,WRDS <i>USA and Canada</i>		--	109686GT	PLATE, CABLE AND HOSE CLAMP	
--	107276GT	PLAT ASSY,EXT-GTD,GR12/15,W AU <i>Australia</i>		--	109687GT	FORMING, REC PLUG MOUNT	
--	107277GT	PLAT ASSY,EXT-GTD,GR20,W AU <i>Australia</i>		--	109802GT	PLUG,ORB #6	
--	107364GT	PLAT ASSY,EXT-MID,GR12/15,W,AU <i>Australia</i>		7	109901GT	DECAL ASSY,EXT,GR12/15,W,USA <i>USA and Canada (models with extension platform)</i>	
--	107365GT	PLAT ASSY,EXT-MID,GR,WORD,AU <i>Australia</i>		--	109902GT	DECAL ASSY,EXT,GR20,W,USA <i>USA and Canada (models with extension platform)</i>	
--	107280GT	PLAT ASSY,EXT-GTD,GR12/15,CESY <i>Europe</i>		7A	109903GT	DECAL ASSY,EXT,GR12/15,W,AUS <i>Australia (models with extension platform)</i>	
--	107281GT	PLAT ASSY,EXT-GTD,GR20,CESY <i>Europe</i>		--	109904GT	DECAL ASSY,GR20,W,AUS <i>Australia (models with extension platform)</i>	
--	107368GT	PLAT ASSY,EXT-MID,GR12/15,CESY <i>Europe</i>		7B	109905GT	DECAL ASSY,EXT,GR12/15,SY,CE <i>Europe (models with extension platform)</i>	
--	107369GT	PLAT ASSY,EXT-MID,GR20,CE SY <i>Europe</i>		--	109906GT	DECAL ASSY,EXT,GR20,SY,CE <i>Europe (models with extension platform)</i>	
--	107278GT	PLAT ASSY,EXT-GTD,GR12/15,SYM <i>Asia and South America</i>		7C	109907GT	DECAL ASSY,EXT,GR12/15,SY,ASIA <i>Asia and South America (models with extension platform)</i>	
--	107279GT	PLAT ASSY,EXT-GTD,GR20,SYM <i>Asia and South America</i>		--	109908GT	DECAL ASSY,EXT,GR20,SY,ASIA <i>Asia and South America (models with extension platform)</i>	
--	107366GT	PLAT ASSY,EXT-MID,GR12/15,SYMB <i>Asia and South America</i>		8	47218GT	DRAW LATCH,OVER-CENTER***.....1 <i>(includes keeper and latch)</i>	
--	107367GT	PLAT ASSY,EXT-MID,GR20,SYMB <i>Asia and South America</i>		--	62819GT	KEEPER, OVER CENTER LATCH TMZ	
1		Ref. Platform Controls <i>(refer to 505.1)</i>		9	71315GT	RIVET,DRIVE, .25 X .25 <i>(to SN GR08-12101)</i>	
2	109833GT	WELDMNT,INNER PUSH RAIL,LH.....1 <i>(from SN GR06-7390) (ground control side)</i> <i>(for models to SN GR06-7389, also order the items listed below)</i>		10	109833GT	WELDMNT,INNER PUSH RAIL,LH.....1 <i>(to SN GR08-12101)</i>	
--	109682GT	KIT,SRV,AWP/IWP 2HAND PLATCTRL		11A	100652GT	WELDMNT, INNERDECK PLATFORM.....1 <i>(to SN GR08-12101)</i>	
--	109684GT	PLUG, BLANKING		11B	107274GT	PLAT ASSY,EXT-GTD,GR12/15,WRDS.....1 <i>(from SN GR08-12102)</i>	
--	109685GT	CABLE AND HOSE CLAMP		11C	107275GT	PLAT ASSY,EXT-GTD,GR20,WRDS <i>(from SN GR08-12102)</i>	
--	109686GT	PLATE, CABLE AND HOSE CLAMP		12	124020GT	WELDMNT,FOOT PEDAL,GR.....1	
--	109687GT	FORMING, REC PLUG MOUNT		13	38011GT	SHIM,SIDE PAD.....4	
--	109802GT	PLUG,ORB #6		14	40946GT	BOLT,SHIM	
3	6884GT	SCREW,HHC,1/4-20 X 2.5		15	38013GT	SHIM NUT,ADJUSTER	
4	12013GT	SHIM,.375 X .063		16	7713GT	NUT, LP NYLOCK, 3/8-16	
5	6091GT	NUT,NYLOCK,1/4-20		17	21280GT	BOLT-ROLLER,3/8-24 X 1.69-ZINC	
6	109834GT	WELDMNT,INNER PUSH RAIL,RH.....1 <i>(from SN GR06-7390) (power unit side)</i> <i>(for models to SN GR06-7389, also order the items listed below)</i>		18	11906GT	ROLLER-NYLATRON, 1.625" O.D.....2	
				--	21279GT	BUTTON, .800 O.D. X .281	



504.2 Platform with Extension Deck (from SN GR07-8576)  
(continued)

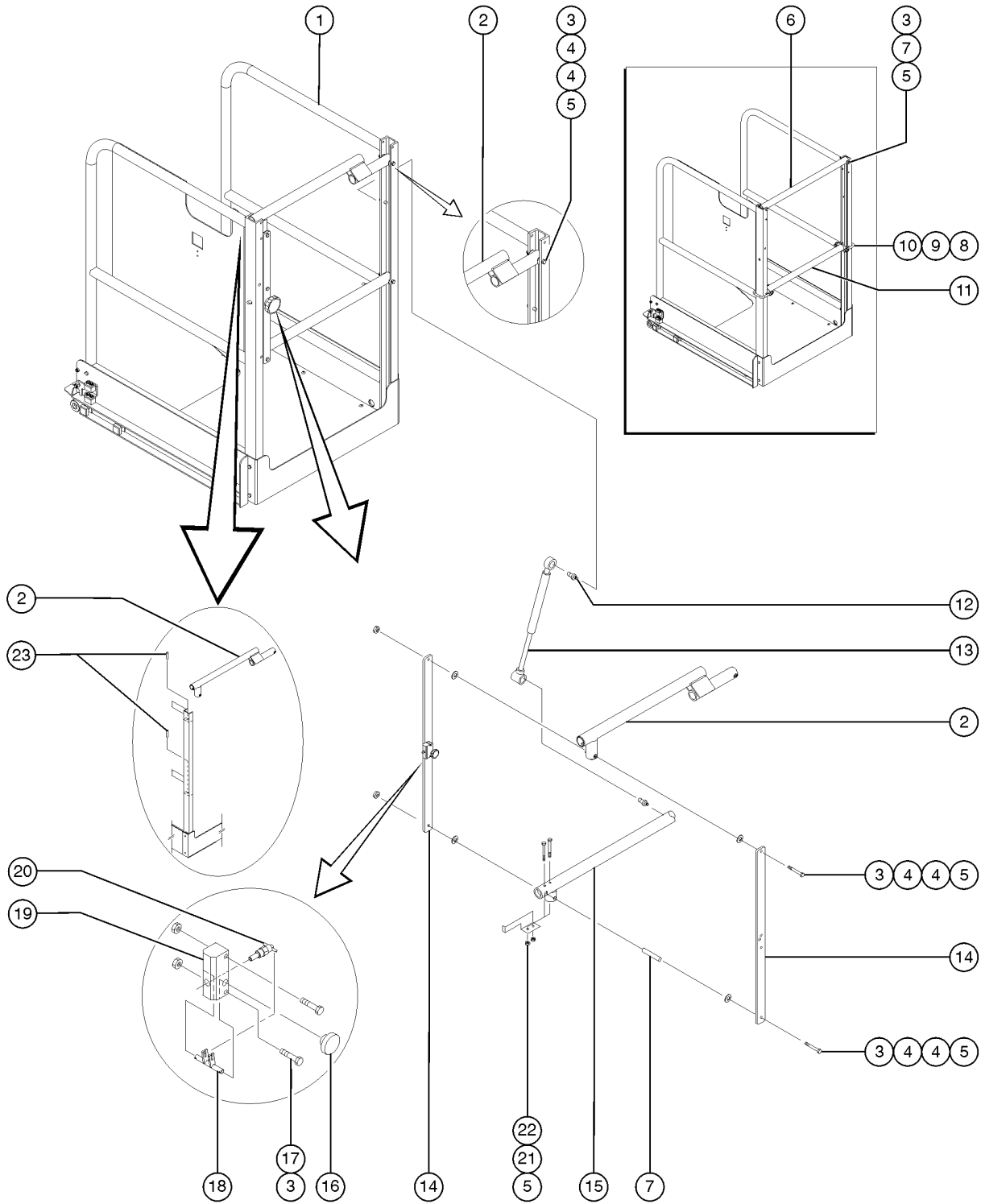
Item	Part No.	Description	Qty.
19	6097GT	WASHER,FLAT,USS,3/8",Y	
20	6175GT	SCREW,HHC,3/8-16 X 1	
21	6091GT	NUT,NYLOCK,1/4-20	
22	6035GT	WASHER,FLAT,USS,5/8",Y	
23	33720GT	BEARING,FLANGE,3/8 ( AWP & ST)	
24	69466GT	SPRING, EXTENSION .375 X .20.....1	
25	7339GT	SCREW, HHC, 1/4-20 X .5	
26	6052GT	WASHER,SHIM,.5 X .875 X .063	
27	7713GT	NUT, LP NYLOCK, 3/8-16	
28	4828GT	NUT,NYLOCK,3/8-16	
29	6019GT	SCREW,HHC,3/8-16 X 1.25 GRD 5	
30	69397GT	SLIDE BLOCK, EXT. PLATFORM	
31	124889GT	KIT,EXT PLAT,ANSI,GR.....1 <i>(to SN GR08-12101) USA and Canada</i>	
31A	124884GT	KIT,EXT PLAT,CE,GR <i>(to SNS GR08-12101) Europe</i>	
31B	124625GT	OUTER DECK ASSY W/DECALS <i>(from SN GR08-12102)</i>	
32	100655GT	WELDMENT, RAIL, OUTER DECK.....1 <i>(from SN GR08-12102)</i>	
33	24537GT	TAPE,NON-SKID,DIE CUT,6"X 2'.....4 <i>(from SN GR08-12102)</i>	
34	6090GT	SCREW,HHC,1/4-20 X .75 <i>(from SN GR08-12102)</i>	
35	124576GT	BOLT,CARRIAGE,1/4-20X1.00 G5 <i>(from SN GR08-12102)</i>	
36	124580GT	BOLT,CARRIAGE,1/4X.75,G5 <i>(from SN GR08-12102)</i>	

---

504.2 Platform with Extension Deck (from SN GR07-8576)  
(continued)

***This Page Intentionally Left Blank***

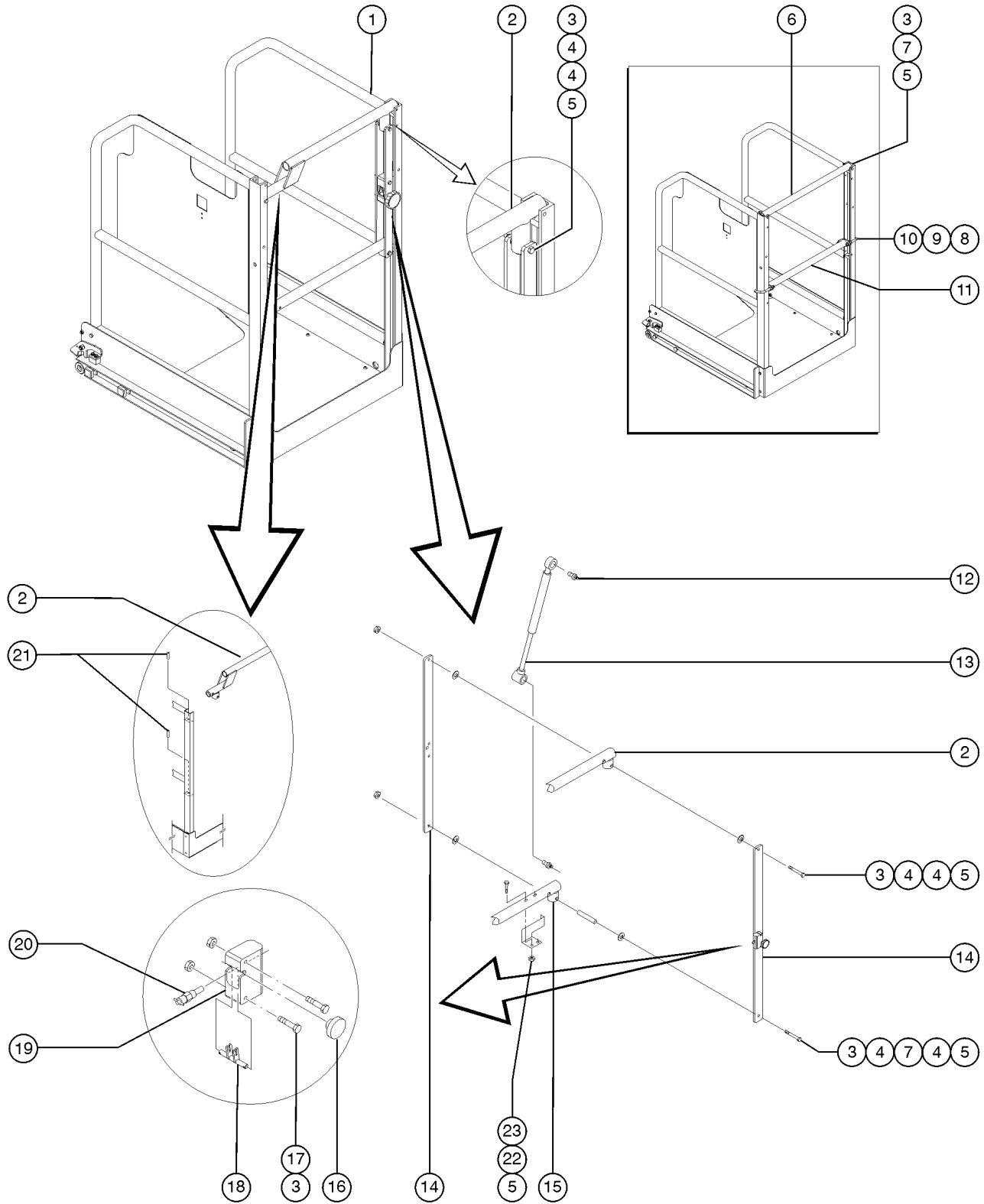
505.1 Platform Extension and Gates (from SN 5001 to 7389)



## 505.1 Platform Extension and Gates (from SN 5001 to 7389)

Item	Part No.	Description	Qty.
1		Ref. Inner Deck Platform Rails <i>(refer to 504.1)</i>	
2	824458GT	ASM, UPPER SWING GATE.....1 <i>replaced 109513</i>	1
3	8179GT	SCREW,HHC,1/4-20 X 2.25	
4	12013GT	SHIM,.375 X .063 <i>used on models manufactured to GR15-36855 that have not been updated to new swing gate arm</i>	
5	6091GT	NUT,NYLOCK,1/4-20	
6	109504GT	TUBE, FIXED TOP RAIL, EXT PLAT.....1	
7	37719GT	BUSHING,1.5 X 3/8 OD X 1/4 ID <i>used on models manufactured to GR15-36855 that have not been updated to new swing gate arm</i>	
8	80306GT	U-BOLT, 3/8-16 X 3 X 2.375	
9	6022GT	NUT,HEX,3/8-16	
10	4828GT	NUT,NYLOCK,3/8-16	
11	109505GT	WLDMT,SLIDG MID RAIL,EXT PLAT.....1	
12	40265GT	BALL STUD,GAS STRUT (38593)***.....2	
13	226802GT	GAS STRUT,20LB,13"EXT-9"CLOSED....1	
--	65874GT	CONNECTOR, NYLON END (35893)**	
14	109517GT	FLATBAR, LINK, SWING GATE.....2	
15A	145320GT	ASM, TUBE GR GATED LH <i>(includes items 5, 12, 22 and 23)</i>	
15B	824463GT	ASM, LOWER SWING GATE.....1 <i>replaced 145272</i>	1
16	26787GT	KNOB.....1	1
17	6889GT	NUT,LP NYLOCK,1/4-20	
18	57138GT	LATCH ROTATOR, GATED PLATFORM.....1	1
19	57116GT	HOUSING, LATCH, AWP/IWP/CWP.....1	1
20	37732GT	PIN,PULL.....1	1
21	145157GT	BRACKET, GATE STOP.....1	1
22	4266GT	SCREW,HHC,1/4-20 X 2	
23	38338GT	PIN,SPRING,.25X.75 ZINC PLATED.....2	2

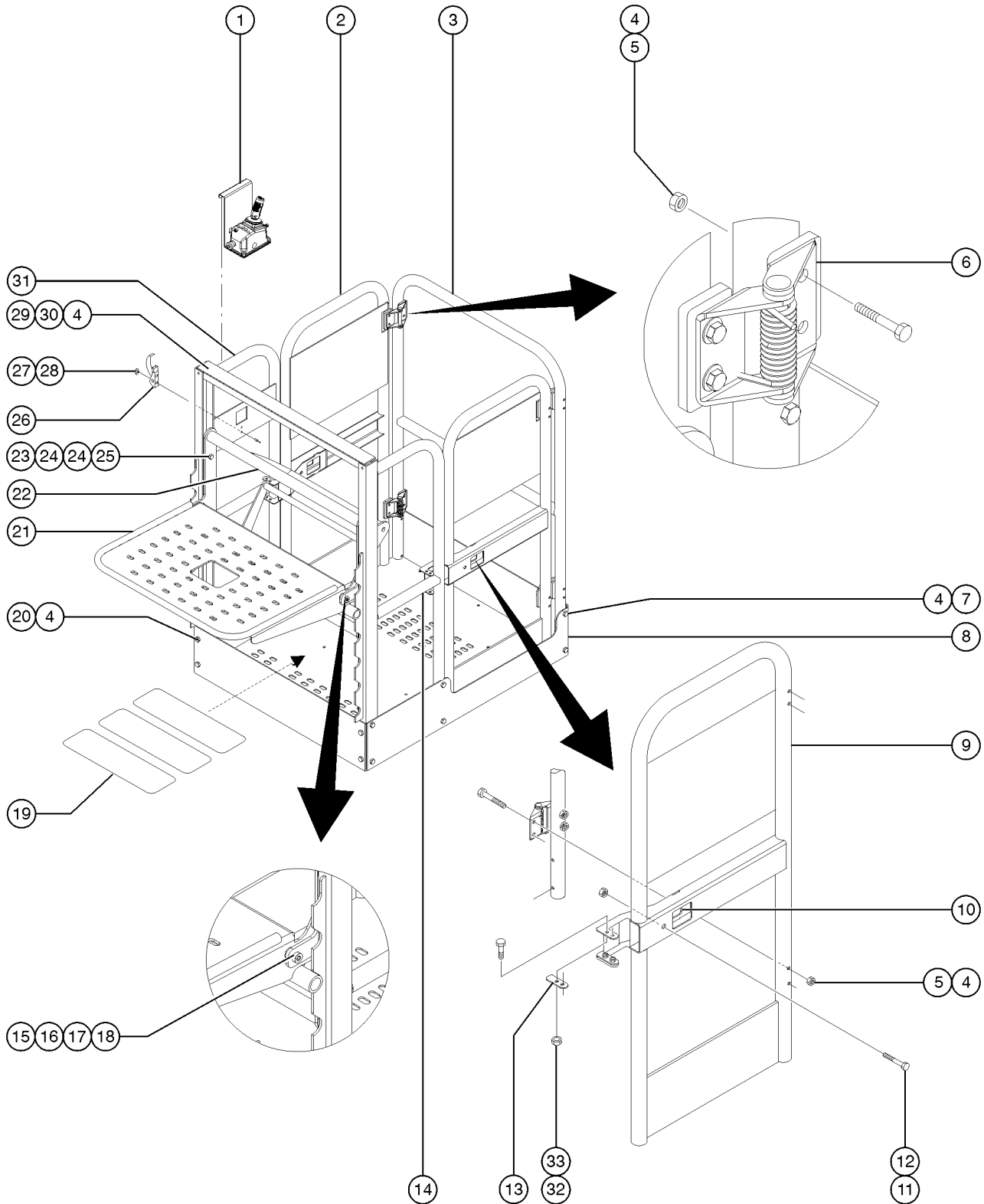
505.2 Platform Extension and Gates (from SN 7390)



## 505.2 Platform Extension and Gates (from SN 7390)

Item	Part No.	Description	Qty.
1		Ref. Inner Deck Platform Rails (refer to 504.1)	
2	824458GT	ASM, UPPER SWING GATE.....1 <i>replaced 109513</i>	1
3	6884GT	SCREW,HHC,1/4-20 X 2.5	
4	12013GT	SHIM,.375 X .063	
5	6091GT	NUT,NYLOCK,1/4-20	
6	109504GT	TUBE, FIXED TOP RAIL, EXT PLAT.....1	1
7	37719GT	BUSHING,1.5 X 3/8 OD X 1/4 ID	
8	80306GT	U-BOLT, 3/8-16 X 3 X 2.375	
9	6022GT	NUT,HEX,3/8-16	
10	4828GT	NUT,NYLOCK,3/8-16	
11	109505GT	WLDMT,SLIDG MID RAIL,EXT PLAT.....1	1
12	40265GT	BALL STUD,GAS STRUT (38593)***.....2	2
13	226802GT	GAS STRUT,20LB,13"EXT-9"CLOSED....1	1
--	65874GT	CONNECTOR, NYLON END (35893)**	
14	109517GT	FLATBAR, LINK, SWING GATE.....2	2
15A	145193GT	ASM, TUBE GR GATED (includes items 5, 12, 22 and 23)	
15B	824463GT	ASM, LOWER SWING GATE.....1 <i>replaced 145272</i>	1
16	26787GT	KNOB.....1	1
17	6889GT	NUT,LP NYLOCK,1/4-20	
18	57138GT	LATCH ROTATOR, GATED PLATFORM.....1	1
19	57116GT	HOUSING, LATCH, AWP/IWP/CWP.....1	1
20	37732GT	PIN,PULL.....1	1
21	38338GT	PIN,SPRING,.25X.75 ZINC PLATED.....2	2
22	145189GT	BRACKET,GATE STOP.....1	1
23	4266GT	SCREW,HHC,1/4-20 X 2	

506.1 Stockpicker Platform



506.1 Stockpicker Platform

Item	Part No.	Description	Qty.	Item	Part No.	Description	Qty.
--	107282GT	PLAT ASSY,STK-PKR,GR12/15,WRDS <i>GR-12 &amp; GR-15 Assemblies with Word Decals; USA and Canada (to S/N 12100)</i>		--	107342GT	GATE ASSY,RT,GR20,W,USA/CAN <i>Assemblies with Word Decals; USA and Canada (power unit side)</i>	
--	145081GT	PLAT ASSY,STK-PKR,GR12/15,WORD <i>GR-12 &amp; GR-15 Assemblies with Word Decals; USA and Canada (from S/N 12101)</i>		--	107371GT	GATE ASSY,RT,GR12/15,W,USA/CAN <i>models with bike rack; Assemblies with Word Decals; USA and Canada (power unit side)</i>	
--	107283GT	PLAT ASSY,STK-PKR,GR20,WRDS <i>Assemblies with Word Decals; USA and Canada</i>		--	107372GT	GATE ASSY,RT,GR20,W,USA/CAN <i>models with bike rack; Assemblies with Word Decals; USA and Canada (power unit side)</i>	
--	107139GT	PLAT ASSY,STK-PKR,GR12/15,WRDS <i>models with bike rack; Assemblies with Word Decals; USA and Canada</i>		2A	107343GT	GATE ASSY,RT,GR12/15,W,AUS <i>Assemblies with Word Decals; Australia (power unit side)</i>	
--	107140GT	PLAT ASSY,STK-PKR,GR20,WRDS <i>models with bike rack; Assemblies with Word Decals; USA and Canada</i>		--	107344GT	GATE ASSY,RT,GR20,W,AUS <i>Assemblies with Word Decals; Australia (power unit side)</i>	
--	107284GT	PLAT ASSY,STK-PKR,GR12/15,W,AU <i>Assemblies with Word Decals; Australia</i>		--	107373GT	GATE ASSY,RT,GR12/15,W,AUS <i>models with bike rack; Assemblies with Word Decals; Australia (power unit side)</i>	
--	107285GT	PLAT ASSY,STK-PKR,GR20,W,AU <i>Assemblies with Word Decals; Australia</i>		--	107374GT	GATE ASSY,RT,GR20,W,AUS <i>models with bike rack; Assemblies with Word Decals; Australia (power unit side)</i>	
--	107141GT	PLAT ASSY,STK-PKR,GR12/15,W,AU <i>models with bike rack; Assemblies with Word Decals; Australia</i>		2B	107347GT	GATE ASSY,RT,GR12/15,CE SY <i>Assemblies with Symbol Decals; Europe (power unit side)</i>	
--	107142GT	PLAT ASSY,STK-PKR,GR20,W,AU <i>models with bike rack; Assemblies with Word Decals; Australia</i>		--	107348GT	GATE ASSY,RT,GR20,CE SY <i>Assemblies with Symbol Decals; Europe (power unit side)</i>	
--	107288GT	PLAT ASSY,STK-PKR,GR12/15,CESY <i>Assemblies with Symbol Decals; Europe</i>		--	107377GT	GATE ASSY,RT,GR12/15,CE SY <i>models with bike rack; Assemblies with Symbol Decals; Europe (power unit side)</i>	
--	107289GT	PLAT ASSY,STK-PKR,GR20,CESY <i>Assemblies with Symbol Decals; Europe</i>		--	107378GT	GATE ASSY,RT,GR20,CE SY <i>models with bike rack; Assemblies with Symbol Decals; Europe (power unit side)</i>	
--	107220GT	PLAT ASSY,STK-PKR,GR12/15,CESY <i>models with bike rack; Assemblies with Symbol Decals; Europe</i>		2C	107345GT	GATE ASSY,RT,GR12/15,SY,ASIA <i>Assemblies with Symbol Decals; Asia and South America (power unit side)</i>	
--	107357GT	PLAT ASSY,STK-PKR,GR20,CE SY <i>models with bike rack; Assemblies with Symbol Decals; Europe</i>		--	107346GT	GATE ASSY,RT,GR20,SY,ASIA <i>Assemblies with Symbol Decals; Asia and South America (power unit side)</i>	
--	107286GT	PLAT ASSY,STK-PKR,GR12/15,SYM <i>Assemblies with Symbol Decals; Asia and South America</i>		--	107375GT	GATE ASSY,RT,GR12/15,SY,ASIA <i>models with bike rack; Assemblies with Symbol Decals; Asia and South America (power unit side)</i>	
--	107287GT	PLAT ASSY,STK-PKR,GR20,SYM <i>Assemblies with Symbol Decals; Asia and South America</i>		--	107376GT	GATE ASSY,RT,GR20,SY,ASIA <i>models with bike rack; Assemblies with Symbol Decals; Asia and South America (power unit side)</i>	
--	107218GT	PLAT ASSY,STK-PKR,GR12/15,SYM <i>models with bike rack; Assemblies with Symbol Decals; Asia and South America</i>		3	100802GT	WELDMNT, ENDRAIL MOUNT,STKPKR.....1	
--	107219GT	PLAT ASSY,STK-PKR,GR20,SYM <i>models with bike rack; Assemblies with Symbol Decals; Asia and South America</i>		4	6091GT	NUT,NYLOCK,1/4-20	
1		Ref. Platform Controls <i>(refer to 505.1)</i>		5	4266GT	SCREW,HHC,1/4-20 X 2	
2	107341GT	GATE ASSY,RT,GR12/15,W,USA/CAN <i>Assemblies with Word Decals; USA and Canada (power unit side)</i>		6	104804GT	HINGE, SPRING, LONG LEG.....4	

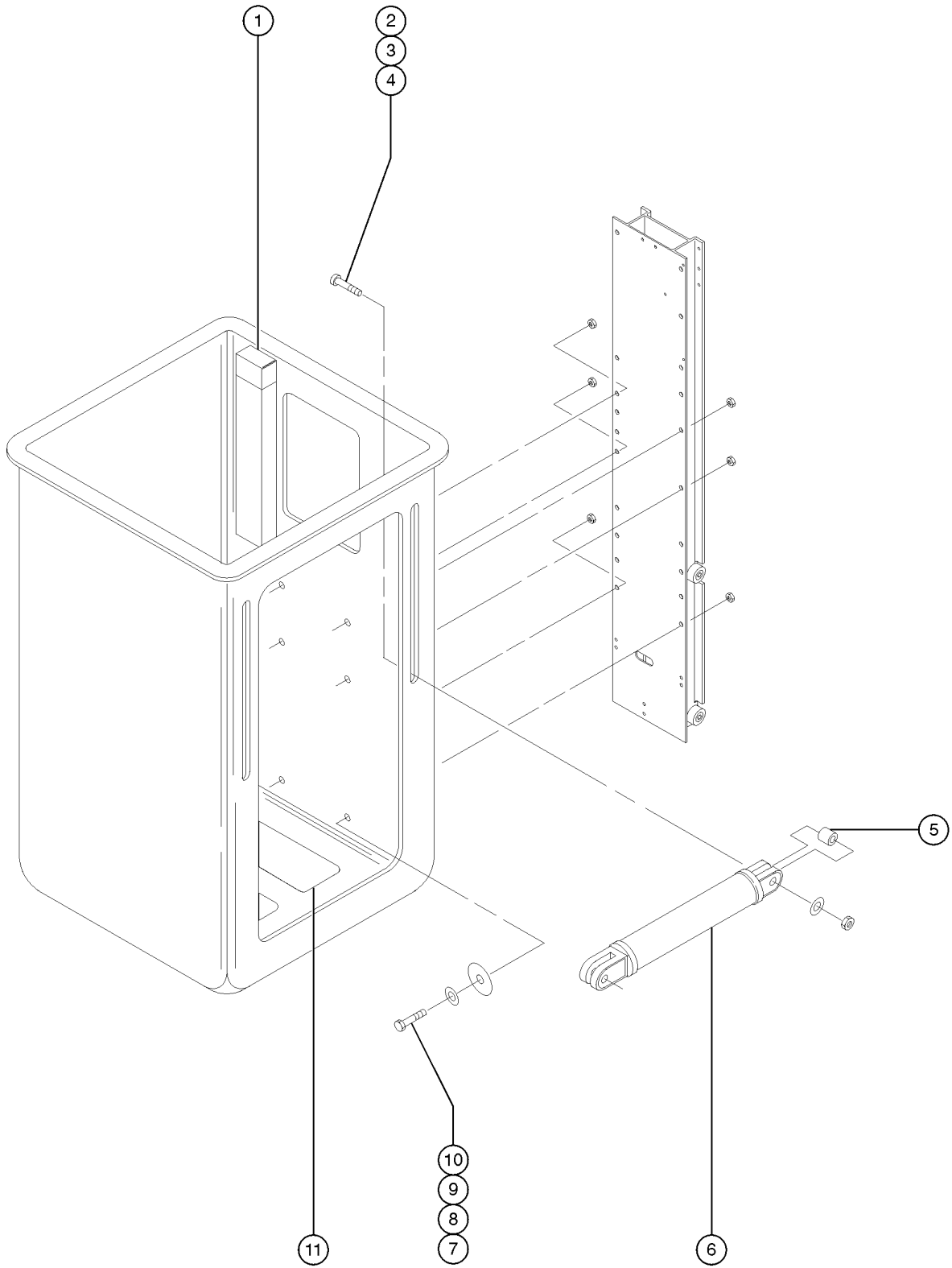


506.1 Stockpicker Platform  
(continued)

Item	Part No.	Description	Qty.	Item	Part No.	Description	Qty.
7	6637GT	SCREW,HHC,1/4-20 X 1.75		31	100628GT	WELDMENT, RAIL, RH, STKPKR.....1 (power unit side)	
8	124886GT	KIT,STKPKR PLAT,CE,GR CE and Australia; to serial number GR08-12101		32	7265GT	RIVET,STEEL,P .25 X .375.....2	
8	124891GT	KIT,STKPKR PLAT,ANSI,GR.....1 ANSI and CSA; to serial number GR08-12101		33	56660GT	WASHER,RIVETING.....2	
--	124158GT	FORMING,STOCKPICKER PLAT TOEBD ANSI and CSA; from serial number GR08-12102					
9	107349GT	GATE ASSY,LEFT,WORDS USA, Canada, Asia, South America, Australia					
9A	100071GT	WELDMENT, GATE, LEFT Europe					
10	65990-SGT	KIT,GATE LATCH.....1 includes items 11 and 12					
--	22446GT	SPRING,COMPRESSION .835 X 2 included in kit 65990-S					
--	4828GT	NUT,NYLOCK,3/8-16.....1 included in kit 65990-S					
--	5224GT	SCREW,HHC,3/8-16 X 2.....1 included in kit 65990-S					
--	66544GT	LATCH HANDLE.....1 included in kit 65990-S					
11	5224GT	SCREW,HHC,3/8-16 X 2					
12	4828GT	NUT,NYLOCK,3/8-16					
13	100206GT	UHMW, LATCH PAD.....4					
14	100645GT	WELDMENT, RAIL, LH, STKPKR.....1 (ground controls side)					
15	11335GT	SCREW,SHS,3/8-16 X .5					
16	54692GT	SPACER,NYLON,.718 X .526 X.219					
17	5397GT	WASHER,FLAT,USS,5/16",Y					
18	7713GT	NUT, LP NYLOCK, 3/8-16					
19	24537GT	TAPE,NON-SKID,DIE CUT,6" X 2'.....3					
20	6090GT	SCREW,HHC,1/4-20 X .75					
21	100632GT	WELDMENT, STOCKPICKER TRAY.....1					
22	100627GT	WELDMENT, STOCKPICKER CARRIAGE.....1					
23	6019GT	SCREW,HHC,3/8-16 X 1.25 GRD 5					
24	69397GT	SLIDE BLOCK, EXT. PLATFORM.....4					
25	21279GT	BUTTON, .800 O.D. X .281.....4					
26	47218GT	DRAW LATCH,OVER-CENTER***.....1 includes keeper and latch					
--	62819GT	KEEPER, OVER CENTER LATCH TMZ					
27	11805GT	WASHER,FLAT,MS,#6,Y					
28	38600GT	RIVET,STL,STL,.156 X .50					
29	100633GT	EXTRUSION, STKPKR TOP RAIL.....1					
30	6884GT	SCREW,HHC,1/4-20 X 2.5					

*This Page Intentionally Left Blank*

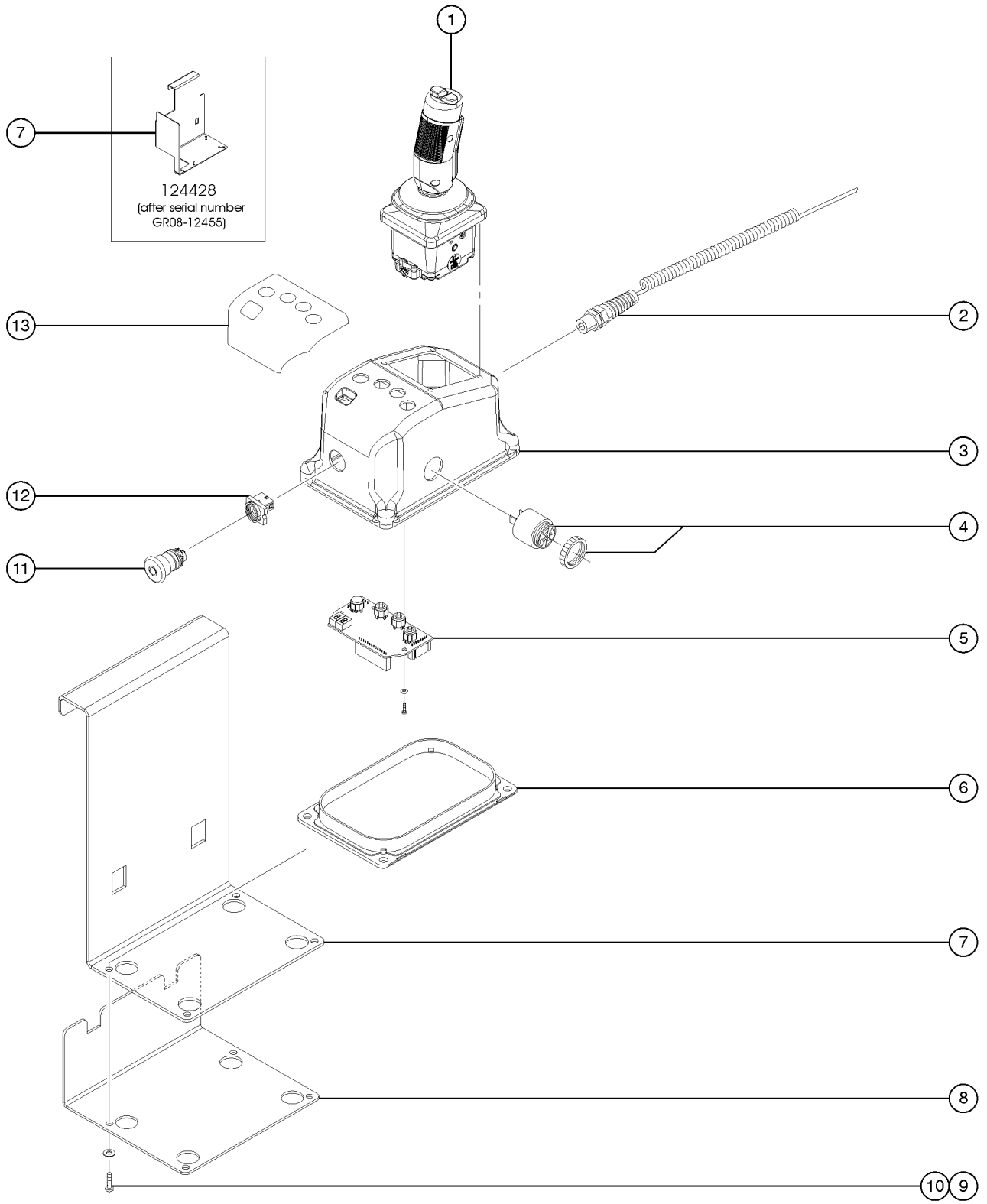
507.1 Fiberglass Platform



## 507.1 Fiberglass Platform

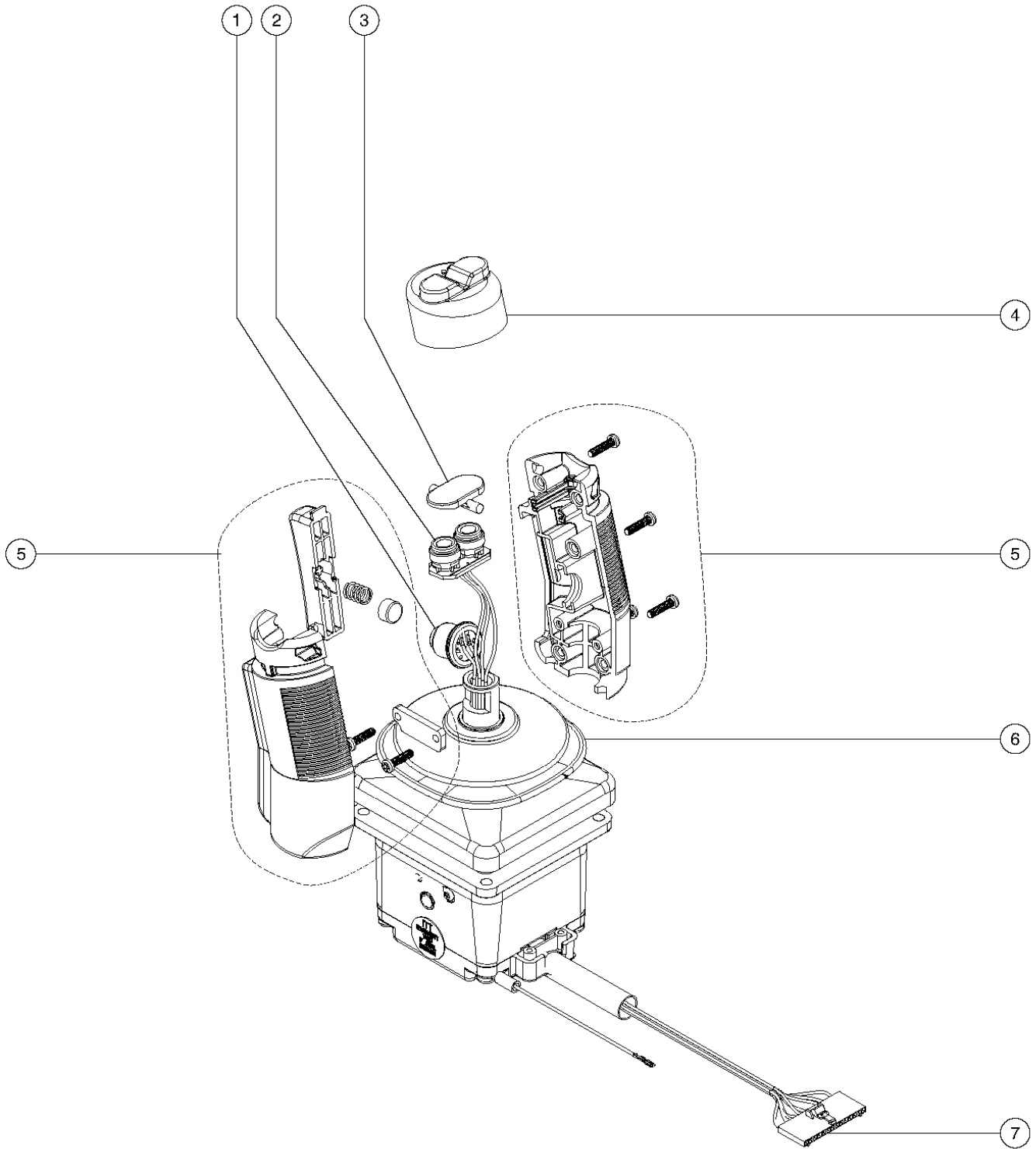
Item	Part No.	Description	Qty.
--	97432GT	FBG PLAT ASSY W/WORD,ST,USA <i>Assemblies with Word Decals; USA and Canada</i>	
--	97433GT	FBG PLAT ASSY W/WORD,NR,USA <i>Assemblies with Word Decals; USA and Canada</i>	
--	97434GT	FBG PLAT ASSY W/WORD,ST,AUS <i>Assemblies with Word Decals; Australia</i>	
--	97435GT	FBG PLAT ASSY W/WORD,NR,AUS <i>Assemblies with Word Decals; Australia</i>	
--	97436GT	FBG PLAT ASSY W/SYMBOL,ST,ANSI <i>Assemblies with Symbol Decals; Asia and South America</i>	
--	97437GT	FBG PLAT ASSY W/SYMBOL,NR,ANSI <i>Assemblies with Symbol Decals; Asia and South America</i>	
--	97438GT	FBG PLAT ASSY W/SYMBOL,ST,CE <i>Assemblies with Symbol Decals; Europe</i>	
--	97439GT	FBG PLAT ASSY W/SYMBOL,NR,CE <i>Assemblies with Symbol Decals; Europe</i>	
1		Ref. MANUAL STORAGE BOX <i>(Refer to 501.1)</i>	
2	23838GT	SCREW,FHM,1/4-20X1.75,GR2	
3	6638GT	WASHER,FLAT,USS,1/4"Y	
4	6889GT	NUT,LP NYLOCK,1/4-20	
5	8149GT	SPACER,NYLON .257 X .5 X .75".....2	
6	40269GT	SLIDING MIDRAIL ASSY.STD.FIBER.....1	
6A	40271GT	SLIDING MIDRAIL ASSY,NRW.FIBER	
7	6708GT	SCREW,HHC,3/8-16 X 2.25	
8	6097GT	WASHER,FLAT,USS,3/8",Y	
9	14016GT	WASHER,FLAT,502 X 1.747 X.04	
10	4828GT	NUT,NYLOCK,3/8-16	
11	47231GT	TAPE,NON-SKID,DIE CUT,4"X 16".....3	

508.1 Platform Controls



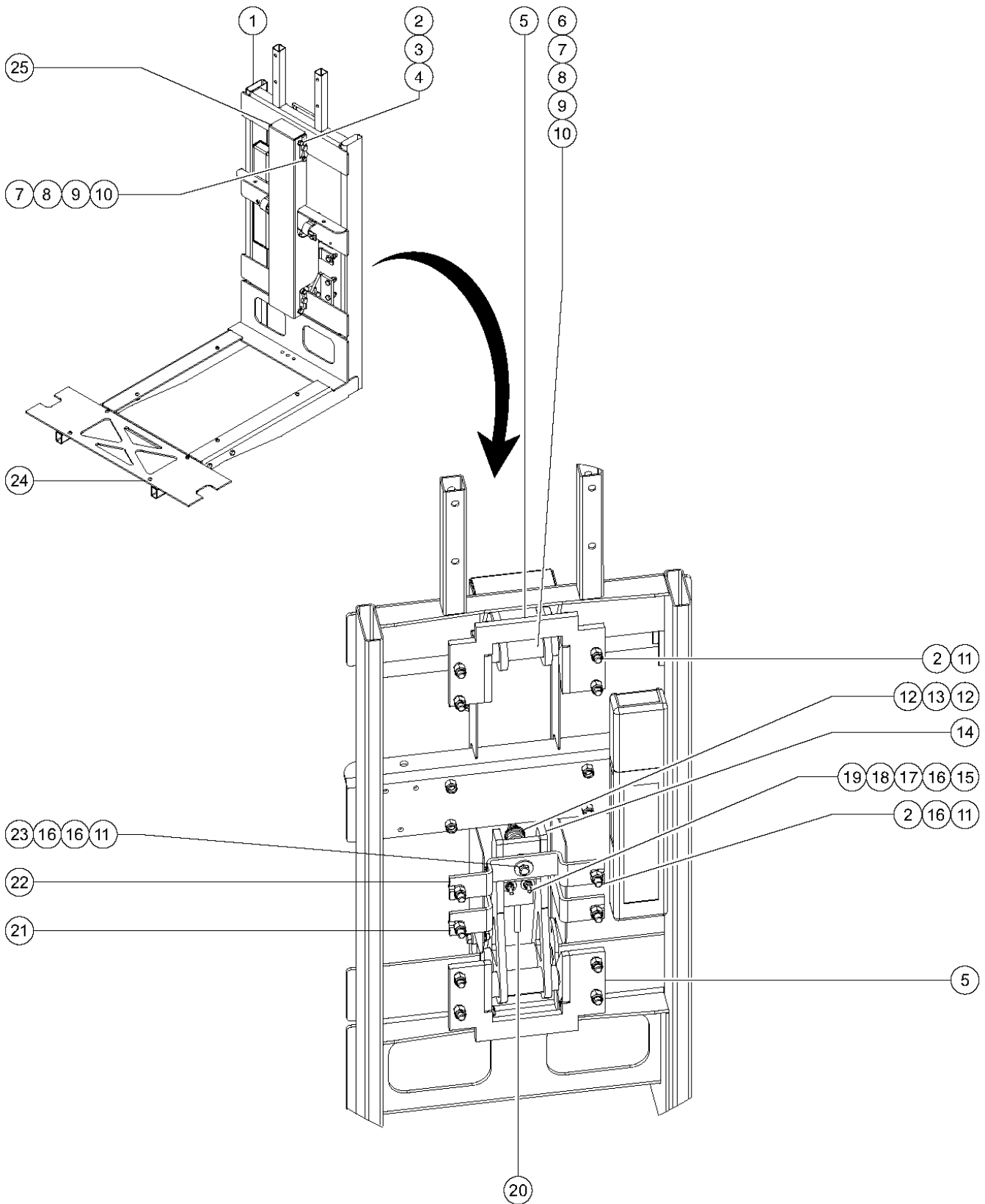
Item	Part No.	Description	Qty.
--	100840GT	PLATFORM CONTROL BOX GEN 5 <i>(does not include items 7-10)</i>	
1		Ref. Joystick Controller <i>(refer to 509.1)</i>	
2	144065GT	KIT,GEN 5 COIL CORD.....1 <i>(kit, includes connector, coil cord, instructions, dielectric grease and cable tie; see below)</i>	
3	100998GT	ENCLOSURE GEN 5.....1	
4	62164GT	ALARM ASSY,12VDC,ITT,4 PIN****.....1 <i>Does not include 72326 nut</i>	
--	72326GT	NUT - PLASTIC,RING FOR ALARMS	
5	109503GT	PLAT CONTROL CIRCT BRD ASSY G5.....1	
--	105662GT	CLEAR SWITCH ACTUATOR	
--	T108044GT	CLEAR SWITCH ACTUATOR(QTY 10)	
6	100999GT	COVER BOTTOM GEN 5.....1	
7	124428GT	WELDMENT, PLAT CTRL MOUNT.....1	
8	124956GT	FORMING,PLAT CTRL ADPTER,GR.....1 <i>(for AWP platform option only)</i>	
9	7339GT	SCREW, HHC, 1/4-20 X .5	
10	6638GT	WASHER,FLAT,USS,1/4"Y	
11	66812GT	BUTTON,PUSH,RED MUSHROOM HEAD.....1	
12	66817GT	BASE WITH 1 NC CONTACT, E-STOP...1	
--	66818GT	CONTACT,NC	
13		Ref. Platform Control Panel Decal <i>(refer to 101.1, 102.1, 103.1 and 104.1)</i>	

509.1 Joystick Controller



Item	Part No.	Description	Qty.
--	78903GT	JOYSTICK,SINGL AXIS,HALL,SLAB* <i>OEM joystick</i>	
--	1277997GT	KIT,JOYSTICK REPAIR (78903H) <i>for 78903H (includes 2 handle halves, top cap, rocker switch, enable switch gasket and fasteners)</i>	
--	78903HGT	JOYSTICK,SINGL AXIS,POT,SLAB <i>aftermarket joystick</i>	
1	105171GT	KIT,JOYSTICK ENABLE SWITCH.....	1
2	105108GT	STEER SWITCH REPAIR KIT***.....	1
3	105109GT	TURN SWITCH ACTUATOR,JOYSTICK**.....	1
4	97015GT	BOOT,THUMB ROCKER***.....	1
5	97014GT	JOYSTICK HANDLE SET, COMPLETE.....	1
6	97013GT	BOOT, JOYSTICK~.....	1
7	105172GT	KIT, PLATFORM PC RECEIPT/SOC.....	1

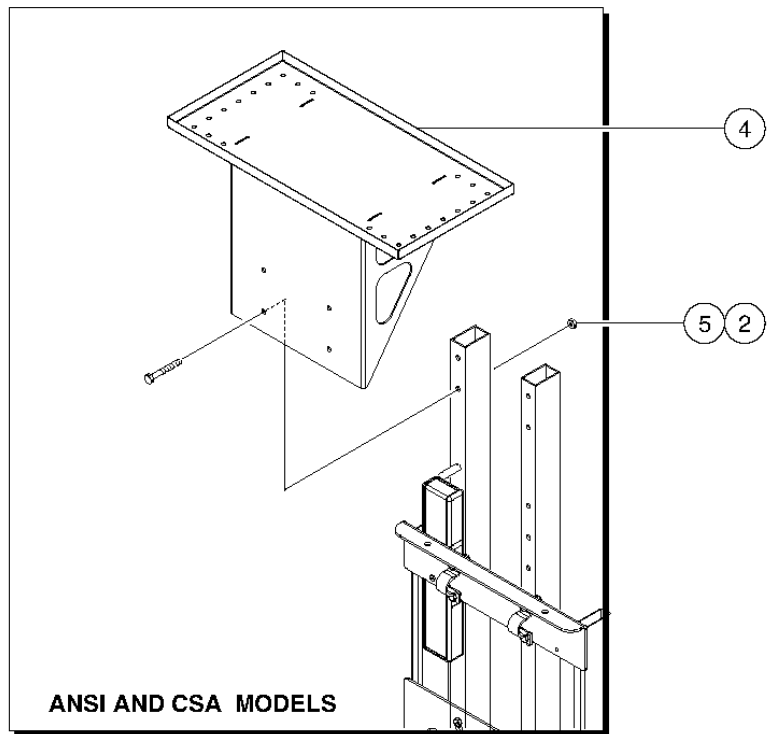
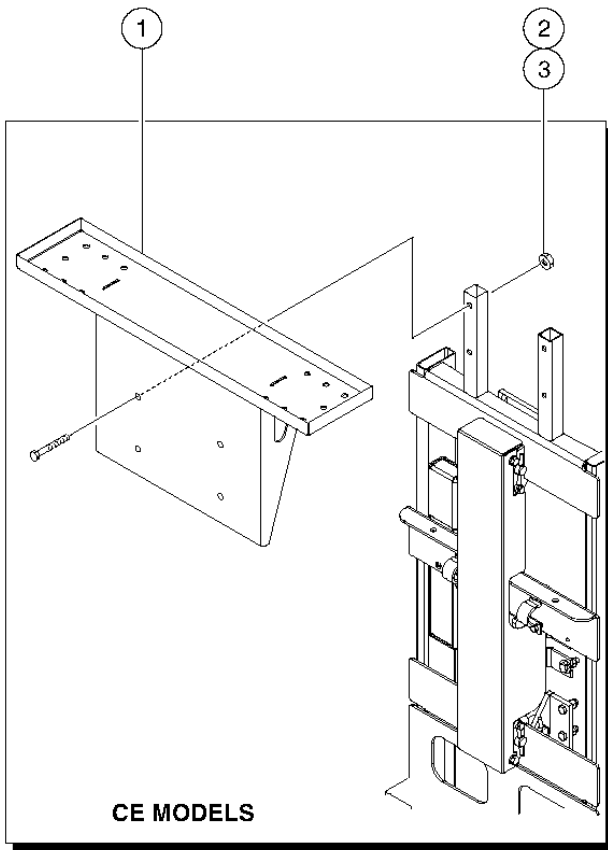
510.1 Platform Overload Assembly



## 510.1 Platform Overload Assembly

Item	Part No.	Description	Qty.
1	124626GT	PLATFORM SUPPORT ASSY,CE SYM <i>Serial numbers from GR08-12102</i>	
1A	107361GT	PLATFORM SUPPORT ASSY,CE SYM.....1 CE	1
2	6019GT	SCREW,HHC,3/8-16 X 1.25 GRD 5	
3	6021GT	WASHER,LOCK,.375	
4	29868GT	SPRING CLIP,3/8-16,.05-.20X.73,ZAG	
5	100530GT	WELDMENT, LOAD SENSE CARRIAGE.....2	2
6	1254350GT	ASSY,LOWER LINK,GR.....1 <i>(includes bearings, 39581)</i>	1
--	39581GT	BEARING,0.75IDX1.00ODX0.50L.....4	4
7	13002GT	SCREW,HHC,5/16-18 X 1 GR5	
8	45748GT	ROD END,.250 X 2.75 LG	
9	124680GT	PIN,0.75DIAX5.13LG,CHAMFER.....4	4
10	6782GT	NUT,NYLOCK,5/16-18	
11	4828GT	NUT,NYLOCK,3/8-16	
12	61975GT	RETAINER,SPRING,1.21 X .375.....2	2
13	61974GT	SPRING,COMP,1" OD,232 LB/IN.....1	1
14	1254351GT	ASSY,PIVOT LINK,GR.....1 <i>(includes bearings, 39581)</i>	1
--	39581GT	BEARING,0.75IDX1.00ODX0.50L.....4	4
15	15513GT	NUT,HEX,10-32	
16	6607GT	WASHER,LOCK,#10 PLTD	
17	35461GT	WASHER,FLAT,MS,#8,Y	
18	6638GT	WASHER,FLAT,USS,1/4"Y	
19	75041GT	SCREW,PHILLIPS,PHM,10-32 X 1	
20	99183GT	SWITCH, ROLLER PLUNGER LIMIT.....1	1
21	100825GT	FORMING, LIMIT SWITCH CARRIER....1	1
22	100824GT	FORMING, SPRING CARRIER.....1	1
23	8352GT	SCREW,HHC,3/8-16 X 3.75 GD 5	
24	100550GT	WELDMENT, PLAT SUPPORT EXT.....1 <i>used on Serial numbers to GR08-12101 only</i>	1
25	100826GT	FORMING, LOADSENSE COVER.....1	1

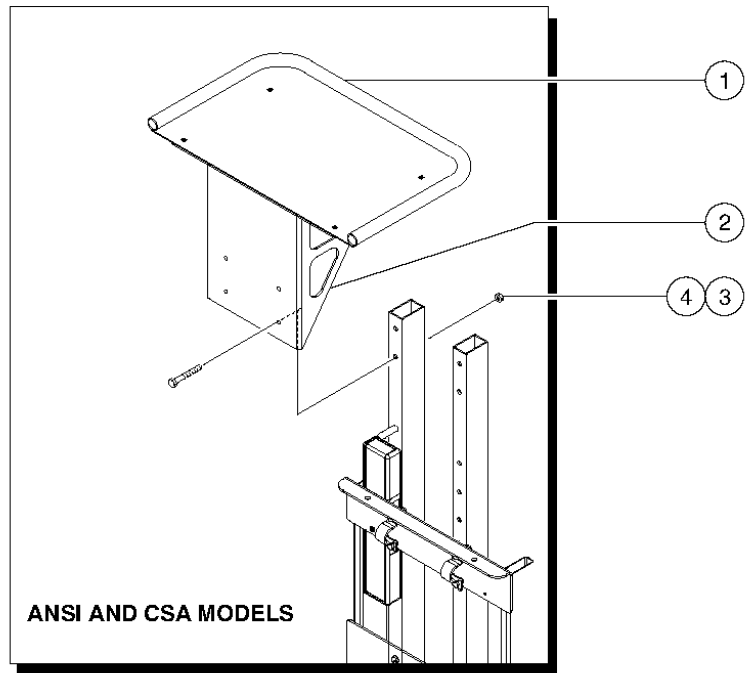
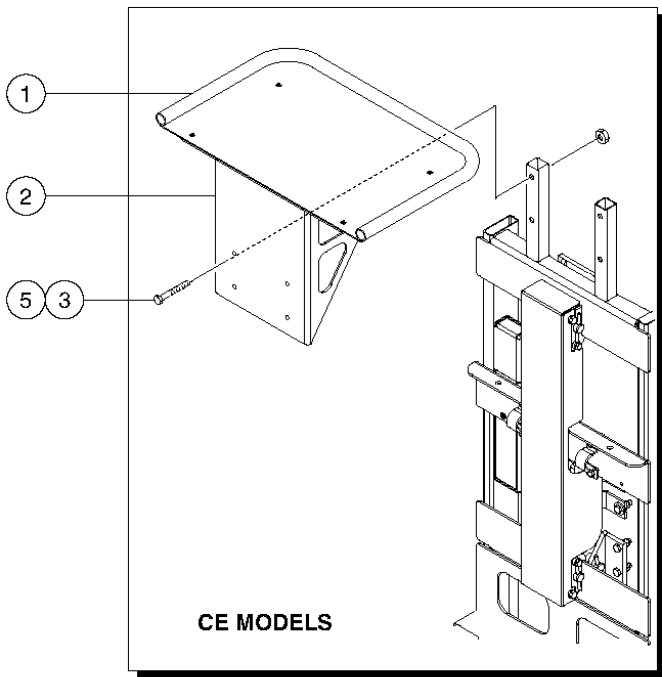
601.1 Workstation Tray, GR-12, GR-15



601.1 Workstation Tray, GR-12, GR-15

Item	Part No.	Description	Qty.
--	100932-SGT	WORSTATION TRAY,ACC,ANSI,SY <i>GR-12, GR-15 (Asia, South America)</i>	
--	100933-SGT	WORSTATION TRAY,ACC,CE SY <i>GR-12, GR-15 (Europe)</i>	
--	107354GT	WORSTATION TRAY,ACC,ANSI,WRD <i>GR-12, GR-15 (USA, Canada, Australia)</i>	
1	107351GT	WORKSTATION TRAY ASSY,CE SY.....1 <i>Europe</i>	
2	4828GT	NUT,NYLOCK,3/8-16	
3	5224GT	SCREW,HHC,3/8-16 X 2	
4	107126GT	WORKSTATION TRAY ASSY,ANSI SY <i>Asia, South America, Europe</i>	
4	107350GT	WORKSTATION TRAY ASSY,ANSI WRD.....1 <i>USA, Canada, Australia</i>	
4A	107126GT	WORKSTATION TRAY ASSY,ANSI SY <i>Asia, South America, Europe</i>	
5	22832GT	SCREW,HHC,3/8-16 X 6 <i>(GR-12)</i>	
5A	6605GT	SCREW,HHC,3/8-16 X 3.5,GR5 <i>GR-15</i>	

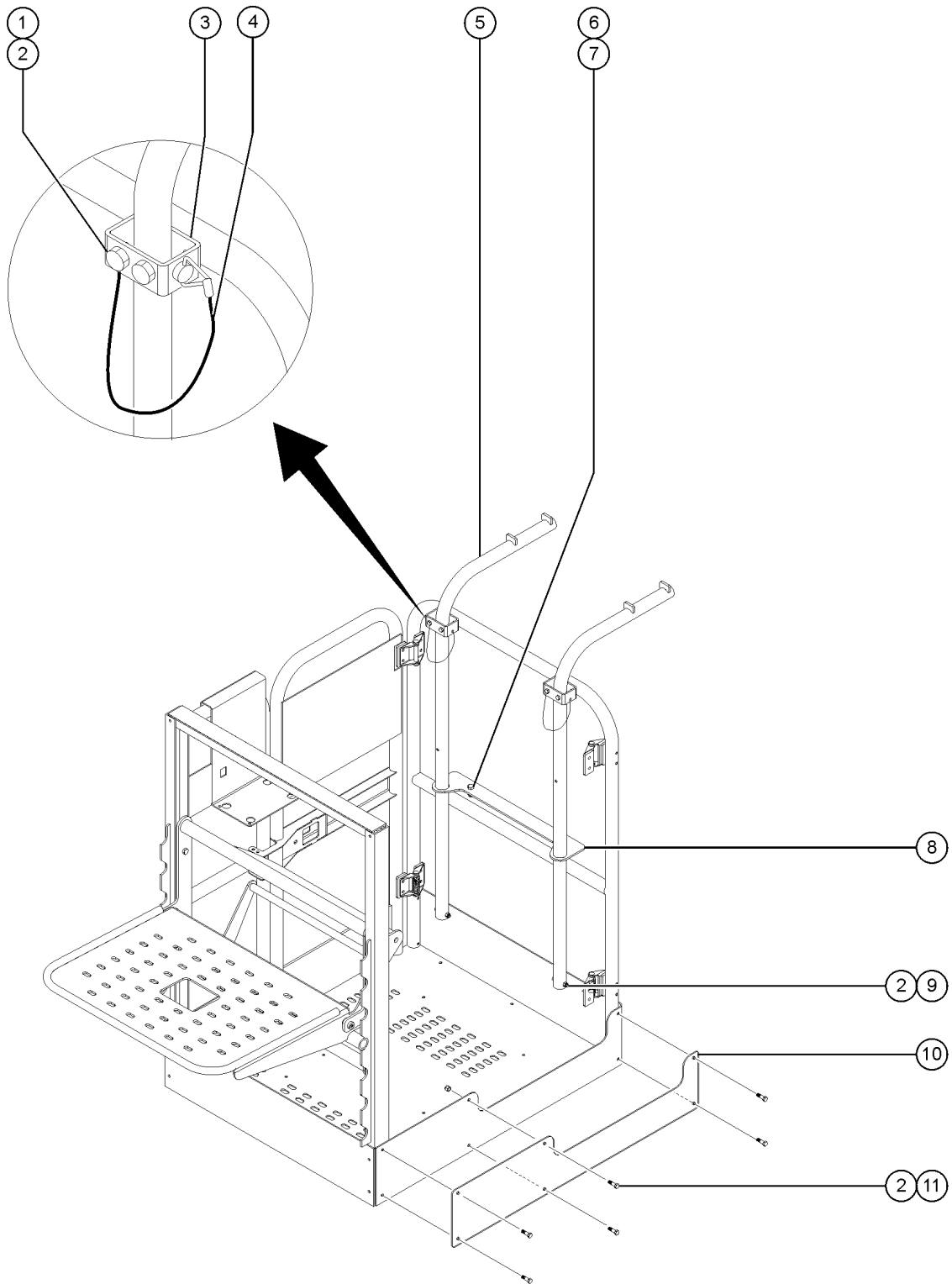
602.1 Parcel Tray, GR-12, GR-15



## 602.1 Parcel Tray, GR-12, GR-15

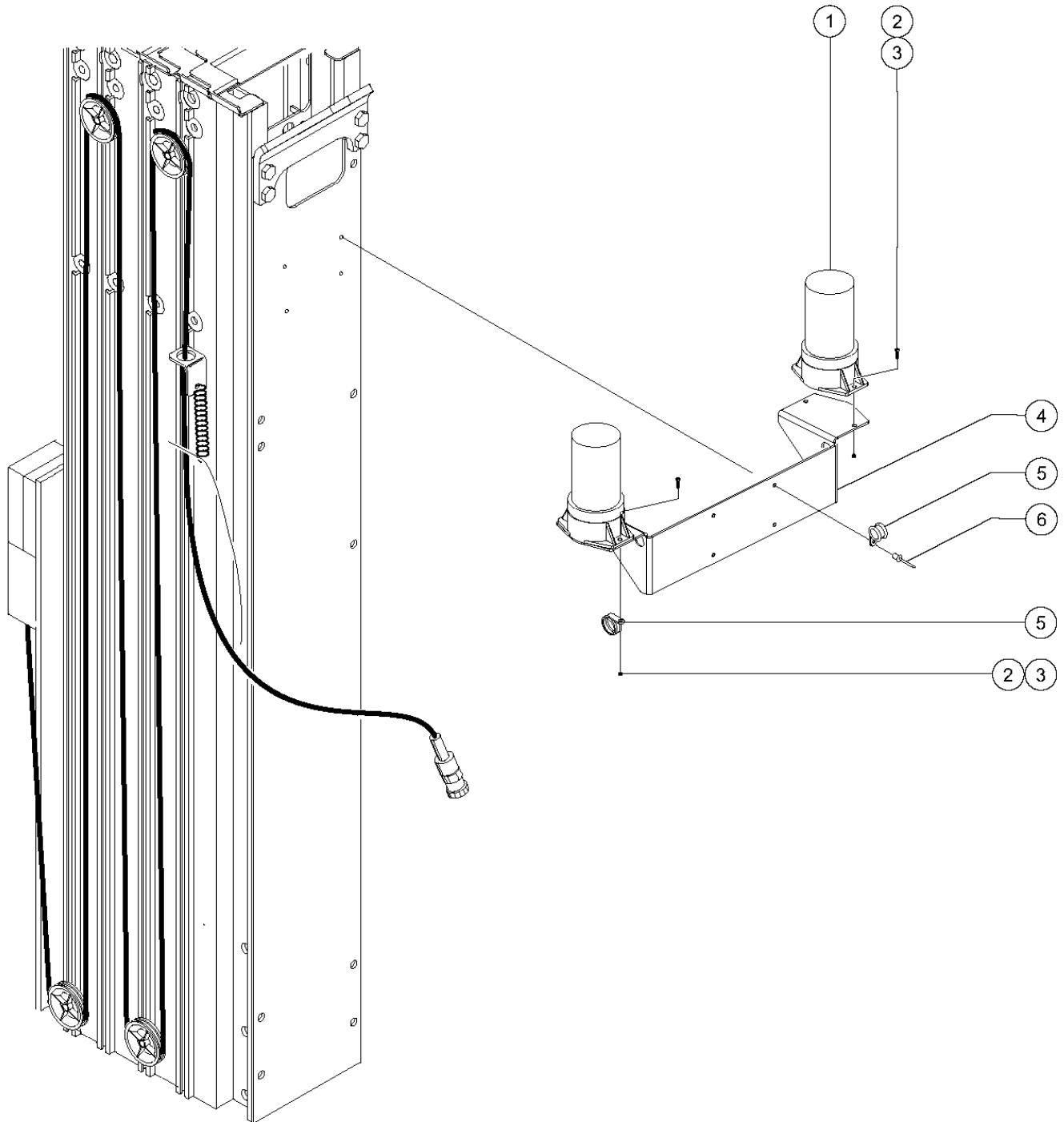
Item	Part No.	Description	Qty.
--	100934-SGT	UPPER TRAY ACC,STKPKR REAR,ANS <i>USA, Canada</i>	
--	107127GT	UPPER TRAY ACC,STKPKR REAR,SYM <i>Asia, South America, Europe</i>	
1	124086GT	WELDMENT,UPPER TRAY TOP.....1	
--	55753GT	BUMPER, PLASTIC, 1.25 O.D.....2	
2A	107352GT	PARCEL TRAY ASSY, WORDS.....1 <i>USA, Canada, Australia</i>	
2B	107353GT	PARCEL TRAY ASSY, SYMBOLS <i>Asia, South America, Europe</i>	
3	4828GT	NUT,NYLOCK,3/8-16	
4	5224GT	SCREW,HHC,3/8-16 X 2	
5	22832GT	SCREW,HHC,3/8-16 X 6 <i>GR-12</i>	
5A	6605GT	SCREW,HHC,3/8-16 X 3.5,GR5 <i>GR-15</i>	

603.1 Bike Rack



Item	Part No.	Description	Qty.
--	100935-SGT	BIKE RACK,ACC,STOCKPICKER	
1	50160GT	SCREW,HHC,1/4-20 X 3.75	
2	6091GT	NUT,NYLOCK,1/4-20	
3	100028GT	TUBE, BIKE RACK SOCKET.....	2
4		RETAINING PIN ASSY, BIKE RACK.....	1
5	100949GT	WELDMENT, BIKE RACK.....	2
6	6175GT	SCREW,HHC,3/8-16 X 1	
7	4828GT	NUT,NYLOCK,3/8-16	
8	100926GT	PLATE, BIKE RACK SUPPORT.....	1
9	6637GT	SCREW,HHC,1/4-20 X 1.75	
10	124156GT	BRACE,SIDE SUPPORT,STKPKR.....	2
11	6090GT	SCREW,HHC,1/4-20 X .75	

604.1 Flashing Beacon



604.1 Flashing Beacon

Item	Part No.	Description	Qty.
A	100696-SGT	ACCESSORY,BEACON,GR.....	1
1A	231931GT	STROBE,BEACON, AC COMP 12-80V...	2
--	105556GT	LENS,FLASHING BEACON.....	2
--	105557GT	BULB,FLASHING BEACON.....	2
1B	229990GT	STROBE,BEACON,LED 12-80V	
2	49816GT	SCREW,PHILLIPS,PHM,10-32 X .75	
3	6178GT	NUT,NYLOCK,10-32	
4	80085-SGT	BRACKET,BEACON MOUNT,GR,PTD,BL.....	1
5	45470GT	CLAMP,0.31,#5 X 1/4,RUB CUSH.....	2
6	38600GT	RIVET,STL,STL,.156 X .50	

## Part Number Index

The Part Number Index is a numeric index of all part numbers included in this manual. The index shows what page(s) the part is used on.

Part Number	Page	Part Number	Page	Part Number	Page	Part Number	Page
100028GT	137	100776GT	55	107132GT	57-58	107362GT	109-110, 113-114
100071GT	122	100777GT	79	107133GT	41		
100206GT	122	100778GT	57-58, 79	107134GT	41	107363GT	109-110, 113-114
100352GT	41	100780GT	55	107135GT	43, 45		
100371GT	35	100782GT	55	107139GT	121-122	107364GT	109-110, 113-114
100379GT	57-58, 61, 67	100784GT	97-98	107140GT	121-122		
100380GT	57-58	100801GT	53	107141GT	121-122	107365GT	109-110, 113-114
100381GT	61	100802GT	121-122	107142GT	121-122		
100382GT	63	100805GT	95	107143GT	97-98, 101-102	107366GT	109-110, 113-114
100383GT	65	100808GT	37	107144GT	97-98, 101-102		
100384GT	67	100809GT	41	107145GT	97-98, 101-102	107367GT	109-110, 113-114
100386GT	67, 77	100816GT	110	107146GT	97-98, 101-102		
100400GT	89	100824GT	131	107147GT	97-98, 101-102	107368GT	109-110, 113-114
100409GT	77	100825GT	131	107148GT	97-98, 101-102		
100483GT	57-58	100826GT	131	107149GT	97-98, 101-102	107369GT	109-110, 113-114
100484GT	47, 49	100832GT	55	107218GT	121-122		
100486GT	95	100834GT	39	107219GT	121-122	107370GT	39
100488GT	39	100839GT	43, 45	107220GT	121-122	107371GT	121-122
100489GT	39	100840GT	127	107261GT	97-98, 101-102	107372GT	121-122
100492GT	39	100858GT	61	107262GT	97-98, 101-102	107373GT	121-122
100510GT	95	100864GT	55	107263GT	97-98, 101-102	107374GT	121-122
100525GT	47	100883GT	97-98, 101-102	107264GT	98, 101-102	107375GT	121-122
100530GT	131	100905GT	77	107265GT	98, 101-102	107376GT	121-122
100537GT	45	100913GT	41	107266GT	98	107377GT	121-122
100550GT	97-98, 131	100915GT	39	107267GT	98	107378GT	121-122
100557GT	43	100926GT	137	107268GT	98, 101-102	107391GT	105
100627GT	122	100929GT	55	107269GT	98, 102	10775GT	97-98, 101-102
100628GT	122	100931GT	55	107270GT	98, 102	10777GT	97-98, 101-102
100632GT	122	100932-SGT	133	107271GT	98, 102	109500GT	65, 67, 79
100633GT	122	100933-SGT	133	107272GT	97-98, 101-102	109503GT	127
100645GT	122	100934-SGT	135	107273GT	97-98	109504GT	117, 119
100647GT	110	100935-SGT	137	107274GT	109-110, 113-114	109505GT	117, 119
100652GT	109-110, 113-114	100942GT	63			109507GT	43
		100949GT	137	107275GT	109-110, 113-114	109517GT	117, 119
100655GT	110, 114	100951GT	97-98, 101-102			109519GT	15, 17
100685GT	107	100952GT	97-98, 101-102	107276GT	109-110, 113-114	109581GT	35
100696-SGT	139	100955GT	101-102			109682GT	109-110, 113-114
100698GT	55	100956GT	97-98, 101-102	107277GT	109-110, 113-114		
100711GT	57-58	100957GT	97-98, 101-102			109684GT	109-110, 113-114
100712GT	61	100958GT	97-98, 101-102	107278GT	109-110, 113-114		
100713GT	63	100960GT	97-98, 101-102			109685GT	109-110, 113-114
100714GT	63	100986GT	41	107279GT	109-110, 113-114		
100715GT	65	100998GT	127			109686GT	109-110, 113-114
100716GT	95	100999GT	127	107280GT	109-110, 113-114		
100717GT	95	101718GT	63			109687GT	109-110, 113-114
100718GT	95	104804GT	121-122	107281GT	109-110, 113-114		
100719GT	95	105060GT	39			109768GT	35
100720GT	95	105067GT	93	107282GT	121-122	109802GT	109-110, 113-114
100721GT	95	105092GT	35	107283GT	121-122		
100722GT	95	105108GT	129	107284GT	121-122	109833GT	109-110, 113-114
100723GT	95	105109GT	129	107285GT	121-122		
100724GT	95	105142GT	43, 45	107286GT	121-122	109834GT	109-110, 113-114
100725GT	95	105150GT	41	107287GT	121-122		
100726GT	95	105171GT	129	107288GT	121-122	109836GT	95
100728GT	53	105172GT	129	107289GT	121-122	109837GT	95
100729GT	53	105303GT	91	107340GT	110	109838GT	95
100730GT	53	105304GT	91	107341GT	121-122	109839GT	41
100731GT	53	105334GT	51	107342GT	121-122	109840GT	41
100732GT	53	105387GT	89	107343GT	121-122	109901GT	109-110, 113-114
100733GT	53	105440GT	37	107344GT	121-122		
100734GT	53	105547GT	35	107345GT	121-122	109902GT	109-110, 113-114
100735GT	53	105550GT	35	107346GT	121-122		
100736GT	53	105556GT	139	107347GT	121-122	109903GT	109-110, 113-114
100744GT	69	105557GT	139	107348GT	121-122		
100745GT	69	105565GT	35	107349GT	122	109904GT	109-110, 113-114
100752GT	79	105573GT	43, 45, 49	107350GT	133		
100754GT	55	105662GT	127	107351GT	133	109905GT	109-110, 113-114
100755GT	55	105739GT	51	107352GT	135		
100763GT	55	106924GT	35	107353GT	135	109906GT	109-110, 113-114
100765GT	55	107023GT	57-58, 81, 83	107354GT	133		
100767GT	79	107126GT	133	107355GT	121-122	109907GT	109-110, 113-114
100768GT	79	107127GT	135	107358GT	47		
100769GT	79	107129GT	11, 15	107359GT	35	109908GT	109-110, 113-114
100770GT	79	107130GT	19, 23	107361GT	131		
100775GT	55	107131GT	57-58			11335GT	122

Part Number Index (continued)

Part Number	Page	Part Number	Page	Part Number	Page	Part Number	Page
114325GT	13, 17	1261888GT	91	229212GT	41	37387GT	75
114334GT	21, 25, 29, 33	1264278GT	105	229213GT	41	37392GT	105
114338GT	21, 25, 29, 33	1268235GT	57-58	229214GT	41	37686GT	65, 67
114467GT	13, 17, 21, 25, 29, 33	1277997GT	129	229453GT	89	37705GT	107
114468GT	13, 17, 21, 25, 29, 33	12906GT	77	229990GT	139	37719GT	107, 117, 119
114469GT	13, 17, 21, 25, 29, 33	13002GT	131	231931GT	139	37732GT	107, 117, 119
115112GT	11, 15	130083GT	37	232535GT	43, 45	37947GT	43, 45
115413GT	13, 17	133013GT	13, 17	232573GT	43, 45	37979GT	107
115414GT	21, 25, 29, 33	133014GT	13, 17	232580GT	43, 45	38005GT	69
115419GT	101-102	133015GT	21, 25, 29, 33	232848GT	43, 45	38011GT	57-58, 61, 110, 113-114
11805GT	98, 102, 122	133092GT	13, 17	233641GT	89	38013GT	57-58, 110, 113-114
11808GT	57-58, 61, 77	133144GT	13, 17, 21, 25, 29, 33	23394GT	57-58, 81, 83, 85	38016GT	57-58
11890GT	71, 73, 75	133146GT	21, 25, 29, 33	23396GT	41, 81, 85	38028GT	57-58
11906GT	110, 113-114	133147GT	21, 25, 29, 33	235340GT	63	38068GT	89
12013GT	107, 109-110, 113-114, 117, 119	133277GT	13, 17	23838GT	125	38122GT	11, 13, 15, 17
12016GT	39, 63	133586GT	11, 13, 15, 17	24537GT	97-98, 101-102, 105, 107, 110, 114, 122	38149GT	13, 17
12343GT	35	13585GT	97-98, 101-102	25926GT	57-58, 65, 81, 83, 85	38187GT	71, 73, 75
12344GT	43, 45, 47, 49	137769GT	41	26780GT	107	38204GT	105, 107
124020GT	113-114	137770GT	41	26785GT	107	38223GT	107
124081GT	77	13918GT	97-98, 101-102	26787GT	107, 117, 119	38234GT	77
124086GT	135	13921GT	95	28164GT	11, 15	38316GT	63, 65
124105GT	41	14016GT	125	28171GT	11, 15, 19, 23, 27, 31	38338GT	107, 117, 119
124122GT	35	14297GT	43, 45	28174GT	11, 13, 15, 17, 19, 21, 23, 25, 27, 29, 31, 33	38447GT	61, 63, 65
124125GT	105	144065GT	127	28175GT	11, 13, 15, 17	38582GT	107
124126GT	105	144180GT	51	28235GT	11, 13, 15, 17, 19, 21, 23, 25, 27, 29, 31, 33	38586GT	97-98, 101-102, 105, 107
124151GT	41	145081GT	121-122	28236GT	11, 13, 15, 17	38600GT	98, 102, 122, 139
124152GT	41	145083GT	35	28373GT	11, 13, 15, 17	38601GT	57-58
124156GT	137	145084GT	35	28487GT	110	38709GT	61, 63, 65
124158GT	122	145085GT	35	28868GT	131	38728GT	97-98, 101-102
124166GT	83	145086GT	35	29868GT	131	38730GT	57-58, 65, 79
124224GT	45	145157GT	117	31071GT	11, 13, 15, 17	38979GT	81
124225GT	49	145189GT	119	31146GT	97-98, 101-102, 105	38980GT	73, 75
124232GT	43, 45	145193GT	119	31508GT	11, 13, 15, 17	38986GT	73, 75
124233GT	49	145269GT	107	31788GT	13, 17	39469GT	43, 45
124244GT	37	145284GT	43, 45	32317GT	89	39520GT	43, 45
124245GT	43, 47	145320GT	117	33373GT	35, 37	39521GT	43, 45
124247GT	43, 47	150089GT	105	33629GT	97-98, 101-102	39540GT	43, 45
124428GT	127	150090GT	105	33720GT	110, 114	39581GT	131
124449GT	43, 45	150091GT	105	34742GT	39	39673GT	43, 45
124452GT	55	150092GT	105	35461GT	131	39873GT	95
124453GT	55	150093GT	107	35695GT	71, 73, 75	39876GT	95
124485GT	45	150094GT	107	35697GT	71, 73, 75	39877GT	93, 95
124486GT	45	150095GT	107	35698GT	71, 73, 75	39878GT	95
124487GT	49	150096GT	107	35699GT	71, 73, 75	39881GT	95
124488GT	49	150097GT	107	35703-6813GT	75	40004GT	58, 65, 67, 79, 87
124489GT	49	150098GT	107	35704-6813GT	75	40258GT	107
124576GT	114	150099GT	107	35705GT	71, 73, 75	40265GT	107, 117, 119
124580GT	101-102, 114	150100GT	107	35706GT	58, 61, 63, 65, 69	40269GT	125
124624GT	101-102	15086GT	41	35707GT	61, 63, 65, 67	40271GT	125
124625GT	114	15513GT	39, 57-58, 131	35709GT	57-58, 63	40434GT	11, 13, 15, 17, 19, 21, 23, 25, 27, 29, 31, 33
124626GT	131	18396GT	35	35710GT	61	40550GT	71, 73
124680GT	131	18503GT	41	35711GT	63, 65, 67	40735GT	57-58, 65, 81, 83, 85
124883GT	101-102	18504GT	43, 45	35712GT	71, 73, 75	40833GT	43, 45
124884GT	114	18605GT	43, 45	35714GT	57-58, 65, 67, 71, 73, 75	40945GT	71, 73, 75
124886GT	122	19491GT	39, 57-58	35715GT	65, 67	40946GT	57-58, 110, 113-114
124888GT	97-98, 101-102	19506GT	43, 45	35722GT	63, 65, 67	41055GT	58, 65, 67, 79
124889GT	97-98, 114	20224GT	91	35725GT	89	41077GT	109-110
124891GT	97-98, 122	2095GT	107	35726GT	89	41224GT	73, 75
124949GT	97-98	21018GT	97-98, 101-102	35733GT	77	41246GT	71, 73
124956GT	127	21253GT	35	35734GT	69, 77	41247GT	71, 73
124962GT	41	21279GT	110, 113-114, 122	35754GT	73	41248GT	71, 73
1254350GT	131	21280GT	110, 113-114	35991GT	57-58, 61, 65, 77, 81, 83, 85, 87	41249GT	73
1254351GT	131	215550GT	37	37145GT	11, 15	41250GT	73
1257035GT	43, 45, 53	219480GT	51	37384GT	75	41292GT	97-98, 101-102, 105
1257062GT	53	22261GT	39	37385GT	75	42360GT	37
1257063GT	53	22446GT	122	37386GT	75	4266GT	105, 107, 117, 119, 121-122
1257064GT	53	22664GT	95				
1257065GT	53	226802GT	107, 117, 119				
1257203GT	43, 45	22699GT	57-58, 65, 81, 83, 85				
1257714GT	63	22832GT	97-98, 101-102, 133, 135				
1260891GT	63	228789GT	35				
		228921GT	35				



## Part Number Index (continued)

Part Number	Page	Part Number	Page	Part Number	Page	Part Number	Page
43658GT	11, 13, 15, 17, 19, 21, 23, 25, 27, 29, 31, 33	55021GT	51	6607GT	57-58, 131	75144GT	39, 87, 97-98, 101-102
43685GT	89	55355GT	39	66094GT	43, 45	76502GT	41
44168GT	91	55753GT	135	66204GT	47, 49	7713GT	39, 41, 58, 61, 63, 65, 69, 87, 97-98, 101-102, 110, 113-114, 122
44169GT	91	55906GT	43, 45	6637GT	43, 45, 63, 97-98, 101-102, 109-110, 122, 137	77709GT	91
44174GT	91	56660GT	105, 122	6638GT	35, 47, 49, 63, 79, 97-98, 101-102, 125, 127, 131	78060GT	39
44207GT	47, 49	56912GT	43, 45, 79, 83	66398GT	43, 45	78086GT	39
44226GT	91	57116GT	107, 117, 119	66465GT	89	78098GT	43, 45
44227GT	91	57138GT	107, 117, 119	66465GT	89	78546GT	47, 49
44229GT	91	57147GT	77	66544GT	122	78622GT	47, 49
44230GT	91	57195GT	69	66717GT	43, 45	78736GT	35
44263-SGT	87	57264GT	65, 67, 79	66770GT	35	78903GT	129
44264-SGT	87	57809GT	61	66812GT	43, 45, 127	78903HGT	129
44266GT	87	57881GT	43, 45, 47, 49	66817GT	43, 45, 127	80058GT	43, 45, 47, 49
44372GT	87	57996GT	35	66818GT	43, 45, 127	80085-SGT	139
44736GT	11, 13, 15, 17	57998GT	35, 37	6708GT	125	80306GT	117, 119
44750GT	89	58381GT	77	6782GT	131	80941GT	89
44751GT	89	58934GT	89	6833GT	81, 83	80943GT	89
44752GT	89	6019GT	57-58, 97-98, 101-102, 110, 114, 122, 131	6873GT	43, 45	80949GT	89
44777GT	89	6021GT	47, 49, 57-58, 61, 63, 65, 67, 89, 131	6878GT	37, 41, 43, 45, 47, 49	8149GT	125
44788GT	47, 49	6022GT	57-58, 102, 117, 119	6884GT	47, 49, 107, 109-110, 113-114, 119, 122	81579GT	43, 45
44980GT	11, 13, 15, 17, 19, 21, 23, 25, 27, 29, 31, 33	6035GT	114	6888GT	35, 37, 77, 79, 97-98, 101-102, 105, 107	8177GT	41
4512GT	43, 47	6052GT	58, 63, 65, 69, 114	6889GT	43, 45, 47, 49, 109-110, 117, 119, 125	8179GT	117
45374GT	95	60746GT	81, 85	69384-SGT	87	822685GT	37
45425GT	61, 63, 65, 67	6086GT	57-58, 71, 73	69397GT	110, 114, 122	823408GT	43, 45
45437GT	97-98, 101-102	6090GT	47, 49, 69, 77, 87, 98, 102, 114, 122, 137	69466GT	110, 114	82366GT	11, 13, 15, 17
45470GT	139	6091GT	35, 37, 41, 43, 45, 47, 49, 63, 69, 77, 83, 87, 97-98, 101-102, 105, 107, 109-110, 113-114, 117, 119, 121-122, 137	69529GT	81, 85	824457GT	107
45546GT	43, 45, 47, 49	6095GT	71, 75	69547GT	35, 37	824458GT	117, 119
45748GT	131	6097GT	35, 39, 41, 57-58, 61, 63, 65, 67, 69, 73, 110, 114, 125	69548GT	35, 37	824462GT	107
46216GT	91	61264GT	95	69556GT	110	824463GT	117, 119
46262GT	11, 15	6175GT	47, 49, 57-58, 61, 63, 65, 67, 97-98, 101-102, 105, 107, 114	69575GT	57-58	824472GT	107
47218GT	98, 102, 109-110, 113-114, 122	6178GT	43, 45, 139	69838GT	87	82473GT	21, 25, 29, 33
47231GT	125	61974GT	131	69855GT	69	82481GT	19, 21, 23, 25, 27, 29, 31, 33
47548GT	35	61975GT	131	69919GT	97-98, 101-102	82487GT	19, 21, 23, 25, 27, 29, 31, 33
47569GT	41, 43, 47	6198GT	35, 37, 41, 75	7056GT	57-58	82495GT	19, 21, 23, 25, 27, 29, 31, 33
4828GT	35, 57-58, 65, 67, 71, 73, 75, 81, 83, 87, 97-98, 101-102, 105, 107, 110, 114, 117, 119, 122, 125, 131, 133, 135, 137	62164GT	127	7057GT	97-98, 101-102	8255GT	35, 87
48880GT	91	6271GT	87, 97-98, 101-102	71315GT	97-98, 109-110, 113-114	82614GT	19, 21, 23, 25, 27, 29, 31, 33
48905GT	89	62819GT	98, 102, 109-110, 113-114, 122	71706GT	51	82666GT	19, 21, 23, 25, 27, 29, 31, 33
48997GT	91	6356GT	43, 45, 47, 49, 77, 81	72086GT	11, 13, 15, 17, 19, 21, 23, 25, 27, 29, 31, 33	826935GT	53
49612GT	91	6357GT	35	72142GT	11, 15	82829GT	19, 23, 27, 31
49613GT	91	64154GT	39	72143GT	11, 15, 19, 23, 27, 31	82830GT	27, 29, 31, 33
49816GT	139	65052GT	11, 13, 15, 17	72155GT	11, 13	82835GT	19, 21, 27, 29
50160GT	137	6534GT	71, 73, 75	72158GT	11, 15	82836GT	19, 21, 23, 25, 27, 29, 31, 33
51063GT	39, 57-58	6545GT	35	72159GT	11, 13, 15, 17	82863GT	11, 13, 15, 17
51577GT	43, 45	6550GT	98, 102, 105, 107	72171GT	11, 13, 15, 17	82864GT	15, 17
51578GT	43, 45	65616GT	35	72182GT	11, 13, 15, 17	82966GT	19, 21, 23, 25
5224GT	41, 122, 133, 135	65874GT	107, 117, 119	72184GT	11, 13, 15, 17, 19, 21, 23, 25, 27, 29, 31, 33	82975GT	11, 13, 15, 17
52475GT	11, 13, 15, 17, 19, 21, 23, 25, 27, 29, 31, 33	65962GT	91	72188GT	11, 13, 15, 17, 19, 21, 23, 25, 27, 29, 31, 33	83093GT	43, 45
52730GT	37	65990-SGT	122	72188GT	11, 13, 15, 17, 19, 21, 23, 25, 27, 29, 31, 33	8352GT	131
52865GT	13, 17	6605GT	97-98, 101-102, 105, 133, 135	72266GT	43, 45, 127	84384GT	91
52913GT	89	75041GT	131	7265GT	43, 45, 47, 49, 122	84385GT	91
52914GT	89			72832GT	11, 13, 15, 17	84386GT	91
52915GT	89			72850GT	11, 13	84387GT	35
52943GT	89			72970GT	11, 13, 15, 17	84422GT	89
5361GT	35, 37			7339GT	65, 77, 83, 109-110, 114, 127	84740GT	93
5397GT	57-58, 65, 67, 71, 73, 75, 122					84742GT	93
54692GT	122					84743GT	93
55010GT	51					84746GT	93
55018GT	51					84748GT	93
55019GT	51					8516GT	57-58, 81, 83, 87
						85197GT	89
						85239GT	43, 45
						87561GT	39, 57-58
						8849GT	77
						8914GT	47, 49

Part Number	Page	Part Number	Page
8915GT	43, 45, 57-58, 65, 81, 83, 85	97888GT	11, 15
8920GT	69, 79	97898GT	19, 21, 23, 25, 27, 29, 31, 33
90337GT	57-58	97899GT	21, 25, 27, 29, 31, 33
9116GT	47, 49	99183GT	131
9145GT	35	T108044GT	127
96008-SGT	43, 45	T112561GT	101-102
96009GT	43, 45	T112563GT	97-98, 101-102
96010GT	43, 45	T114691GT	43, 45
96113GT	37		
96135GT	39		
96193GT	89		
96398GT	95		
96422GT	39		
96423GT	35, 39		
96452GT	43, 45		
96541GT	39		
96642GT	39		
96699GT	41, 47, 49		
96709GT	47, 49		
96855GT	47, 49		
96905GT	47, 49		
96907GT	35		
96948GT	39, 57-58		
96950GT	43, 45		
97013GT	129		
97014GT	129		
97015GT	129		
97059GT	51		
97128GT	39, 57-58		
97432GT	125		
97433GT	125		
97434GT	125		
97435GT	125		
97436GT	125		
97437GT	125		
97438GT	125		
97439GT	125		
97712GT	11, 13, 15, 17		
97772GT	11, 13, 15, 17, 19, 21, 23, 25, 27, 29, 31, 33		
97776GT	11, 15, 19, 23, 27, 31		
97810GT	11, 13, 15, 17, 19, 21, 23, 25, 27, 29, 31, 33		
97811GT	11, 13, 15, 17, 19, 21, 23, 25, 27, 29, 31, 33		
97812GT	11, 13, 15, 17, 19, 21, 23, 25, 27, 29, 31, 33		
97813GT	11, 13, 15, 17, 19, 21, 23, 25, 27, 29, 31, 33		
97815GT	13, 17, 21, 27, 29		
97827GT	11, 13		
97828GT	11, 13		
97829GT	15, 17		
97830GT	15, 17		
97831GT	11, 13, 15, 17		
97832GT	19, 21, 27, 29		
97833GT	19, 21, 27, 29		
97834GT	23, 25, 31, 33		
97835GT	23, 25, 31, 33		
97871GT	23, 25, 31, 33		
97872GT	23, 25, 31, 33		
97873GT	19, 21, 27, 29		
97882GT	11, 13, 15, 17, 19, 21, 23, 25, 27, 29, 31, 33		
97883GT	11, 13, 15, 17, 19, 21, 23, 25, 27, 29, 31, 33		
97886GT	11, 13, 15, 17		

## Part Description Index

The Part Description Index is an alphabetical index of all part descriptions included in this manual. The index shows what page(s) the part is used on.

**A**

ACCESSORY,BEACON,GR.....139  
 ALARM ASSY,12VDC,ITT,4 PIN\*\*\*\* .....127  
 ALARM,STEADY TONE\*\*\*.....43, 45  
 ASM, GATE ARM STD.....107  
 ASM, ARM, LOWER PIVOT STD.....107  
 ASM, BOT TUBE AWP NRW PLAT GR.....107  
 ASM, LOWER SWING GATE.....117, 119  
 ASM, TUBE GR GATED.....119  
 ASM, TUBE GR GATED LH.....117  
 ASM, UPPER GATE ARM NRW.....107  
 ASM, UPPER SWING GATE.....117, 119  
 ASSY, POTHOLE HARNESS, GR.....55  
 ASSY,HARNESS, RELAY, CE, GR.....55  
 ASSY,LOWER LINK,GR.....131  
 ASSY,PIVOT LINK,GR.....131  
 ASSY,SWITCH,TOGGLE,SPDT\*\*\*\*\*.....43, 45  
 ASSY,WHEEL & TIRE,GR.....35, 37  
 AWP STD PLAT SYM CE, GR.....107

**B**

BALL STUD, GAS STRUT, 3/8-16.....39  
 BALL STUD,GAS STRUT (38593)\*\*\*.....107, 117, 119  
 BASE WITH 1 NC CONTACT, E-STOP.....43, 45, 127  
 BATT CVR ASSY,GR,SYM,ANSI.....41  
 BATT CVR ASSY,GR,SYM,CE.....41  
 BATT CVR ASSY,GR,WORDS,ANSI.....41  
 BATTERY CABLE ASSY, GR.....53  
 BATTERY COVER ASSY,SYMBOLS.....41  
 BATTERY COVER ASSY,WORDS.....41  
 BATTERY WATERING HAND PUMP.....41  
 BATTERY WATERING KIT, 24V UNIV.....41  
 BATTERY, AGM, 6V, (TROJAN) \*\*\*.....41  
 BATTERY,T105 W/LPT,3 CAP,DRY\*\*.....41  
 BEARING,.75ID X 1.00D X 1.38LG.....39  
 BEARING,0.75ID X 1.00OD X 0.50L.....131  
 BEARING,1.5ID X 1.75OD X 1.0L.....35  
 BEARING,FL,0.75ID X 1 OD X .49.....35  
 BEARING,FLANGE,3/8 ( AWP & ST).....110, 114  
 BEARING,MOTOR.....89  
 BEARING,MOTOR,36843,BRUSH END\*.....89  
 BELLOW, CE.....87  
 BIKE RACK,ACC,STOCKPICKER.....137  
 BLOCK, MAST SLIDER, GR20.....57-58, 61, 67  
 BLOCK, PH ACTUATOR GUIDE.....63  
 BLOCK,SLIDE,LOWER.....61  
 BLOCK,SLIDE,UPPER.....57-58, 63  
 BOE LUBE.....57-58  
 BOLT,CARRIAGE,1/4-20 X .75,G2.....37, 41, 43, 45, 47, 49  
 BOLT,CARRIAGE,1/4-20 X 1.25,G2.....47, 49  
 BOLT,CARRIAGE,1/4-20 X 2.5,G2.....47, 49  
 BOLT,CARRIAGE,1/4-20X1.00 G5.....114  
 BOLT,CARRIAGE,1/4X.75,G5.....101-102, 114  
 BOLT,CARRIAGE,3/8-16 X .75,G2.....63  
 BOLT,CARRIAGE,3/8-16 X 6.00,G2.....41  
 BOLT,CARRIAGE,3/8-16 X 1.00,G5.....39  
 BOLT,CARRIAGE,3/8-16X1.25,GR5.....35  
 BOLT,ROLLER,.470"(SHORT).....58, 61, 63, 65, 69  
 BOLT,SHIM.....57-58, 110, 113-114

BOLT-ROCKER, S-SERIES.....71, 73, 75  
 BOLT-ROLLER,3/8-24 X 1.69-ZINC.....110, 113-114  
 BOOT, JOYSTICK-.....129  
 BOOT,THUMB ROCKER\*\*\*.....129  
 BRACE,SIDE SUPPORT,STKPKR.....137  
 BRACKET, BELLOWS MOUNT, CE.....87  
 BRACKET, GATE STOP.....117  
 B R A C K E T , B E A C O N  
 MOUNT,GR,PTD,BL.....139  
 BRACKET,CONTROL CABLE  
 W/BUSHIN.....81, 85  
 BRACKET,GATE STOP.....119  
 BRACKET,SEQUENCING,UPPER,ZI\*\*\* .....77  
 BRACKET,TRAY LATCH.....37  
 BRAKE,1.5IN/FT SHAFT,W/ORIFICE.....37  
 BREATHER CAP, HYD. TANK, 1/4 NPT.....47, 49  
 BRKT.LATCH ASSY.GATED,S SERIES.....107  
 BRUSH BOX ASSEMBLY.....89  
 BRUSH LEAD ASSEMBLY KIT(48504).....89  
 BRUSH,PWR UNIT (40844)\*\*.....89  
 BULB,FLASHING BEACON.....139  
 BUMPER, PLASTIC, 1.25 O.D.....135  
 BUMPER,RUBBER.....107  
 BUSHING, STRAIN RELIEF, 1".....81, 85  
 BUSHING,1.5 X 3/8 OD X 1/4 ID.....107, 117, 119  
 BUSHING,FLANGE,3/8 OD X 1/4 ID.....77  
 BUTTON, .800 O.D. X .281.....110, 113-114, 122  
 BUTTON,PUSH,RED MUSHROOM  
 HEAD.....43, 45, 127

**C**

CABLE AND HOSE CLAMP.....109-110, 113-114  
 CABLE ASSEMBLY,GR12.....55  
 CABLE ASSY, ANDERSON TO MC,BLK.....53  
 CABLE ASSY, ANDERSON TO MC/RED.....53  
 CABLE ASSY, BATT TO ANDERSON.....53  
 CABLE ASSY, BATT TO FUSE.....53  
 CABLE ASSY, FUZE TO ANDERSON.....53  
 CABLE ASSY,BATT, 10" RED.....53  
 CABLE ASSY,BATT,5.50"RED.....53  
 CABLE ASSY,BATT,50.0"RED.....53  
 CABLE ASSY,BATT,52.0"BLK.....53  
 CABLE ASSY,SEQ,CARRIAGE,GR20.....77  
 CABLE ASSY,SEQ,MAST,GR12&15.....77  
 CABLE ASSY,SEQ,MAST,GR20.....77  
 CABLE ASSY, BATT. 27" BLACK.....53  
 CABLE ASSY, BATT. 62" BLACK.....53  
 CABLE ASSY, BATT. 64" RED.....53  
 CABLE ASSY,BATT. 14",4AWG RD.....53  
 CABLE SQUEEZE CONN 2 WIRE.....39, 57-58  
 CAM FOLLOWER,1.125X.375,DELRLIN.....39  
 CAP,DIAGNOSTIC NIPPLE.....91  
 CARRIAGE, 3 & 5 COLUMN.....69  
 CARRIAGE, 4 & 6 COLUMN.....69  
 CAST,CWT, MAST.....41  
 CHAIN ASSY#1,57"COL. S-SERIES.....71, 73  
 CHAIN ASSY#1,72.5"COL.S-SERIES.....75  
 CHAIN ASSY#2,72.5"COL.S-SERIES.....75  
 CHAIN ASSY,72.5"COL. S-SERIES.....75  
 CHAIN ASSY,72.5COL.(SM)S-SERIE.....75  
 CHAIN ASSY.#2 COL.CWP/SP.....71, 73  
 CHAIN ASSY.#2 COL.(CYLINDER).....71, 73  
 CHAIN ASSY.SMALL CHAIN CWP/SP.....73  
 CHAIN TENSION ROCKER CAST.ZINC.....71, 73, 75  
 CHAIN TERM,CLEVIS CYL.,ZINC.....71, 73, 75  
 CHAIN TERM,PULLEY SUPORT-ZINC.....71, 73, 75  
 CHAIN TERM,PULLEY SUPPORT-ZNC.....73, 75  
 CHAIN TERM.LWR.SS(1 SLOT).....73, 75  
 CHAIN TERM.LWR.SS(2 SLOT)\*.....71, 73, 75  
 CHAIN TERMINAL CASTING,#1.....71, 73, 75  
 CHAIN,SMALL,53.5".....73  
 CHAIN,STD.LEAF AL522,68.13".....75  
 CHAIN,STD.LEAF AL544,68.13".....75  
 CHAIN,STD.LEAF(LG)53.5"S-SERIE.....71, 73  
 CHARGER,BAT,24VDC,H/O GEN2.....51  
 CHECK DISK, NO SPRING.....91  
 CIRCUIT BREAKER,7.0 AMP\*\*.....43, 45  
 CLAMP,0.31,#5 X 1/4,RUB CUSH.....139  
 CLAMP,0.50,#8 X 1/4,RUB CUSH.....81, 83  
 CLAMP,2 HOSE,PLASTIC,5/8.....35  
 CLAMP,HOSE,1 EAR,1-1/16\*\*.....47, 49  
 CLAMP,PLATFORM MOUNT.....97-98, 101-102, 105, 107  
 CLEAR SWITCH ACTUATOR.....127  
 CLEAR SWITCH ACTUATOR(QTY 10).....127  
 CLIP,HAIR PIN .125 X 2.....35  
 COIL,#8 20VDC,DEUTSCH W/DIOD.....91  
 COIL,20VDC,DEUTSCH W/DIODE.....91  
 COIL-SOLENOID VALVE,20V DC\*\*\*.....89  
 COL 1 MACHINED, 72.5.....57-58  
 COL 2 MACHINED, 72.5.....61  
 COL 3 MACHINED, 72.5.....63  
 COL 4 MACHINED, 72.5.....65  
 COL 5 MACHINED, 72.5.....67  
 COLUMN #1 MACHINED, 57.....57-58  
 COLUMN #2 MACHINED, 57.....61  
 COLUMN #3 MACHINED, 57.....63  
 COLUMN #5 MACHINED, 57.....63  
 COLUMN #6 MACHINED, 57.....65  
 COLUMN #6, 57" SUPER SERIES\*\*.....73  
 CONN, SQZ, 1/2NPT .38-.50, SM\*\*.....57-58  
 CONN,520120-4\*\*\*.....89  
 CONN. SQZ,1/2NPT .39-.56 MED.....97-98, 101-102  
 CONNECTOR, 070120-12-8.....95  
 CONNECTOR, IEC CHARGER CORD.....51  
 CONNECTOR, NYLON END (35893)\*\* .....107, 117, 119  
 CONNECTOR,070120-4-4.....93, 95  
 CONNECTOR,070120-4-6.....95  
 CONNECTOR,070120-6-6.....95  
 CONTACT,14-20GA.....43, 45  
 CONTACT,NC.....43, 45, 127  
 CONTACTOR ASSY,GR.....43, 45  
 CONTACTOR,LIMIT SWITCH.....39, 57-58  
 COUNTERWEIGHT,CAST,GR15.....41  
 COUNTERWEIGHT,CAST,GR20.....41  
 COVER BOTTOM GEN 5.....127  
 COVER, CARRIAGE.....79  
 COVER,BLANK.....97-98, 101-102  
 COVER,GFCI,WEATHERPROOF.....97-98, 101-102  
 COVER,LIMIT SWITCH W/DECAL GR.....57-58  
 COVER-BRUSH INSPEC.40844,SCISS.....89

CYLINDER, LIFT 41" STROKE, DY*.....89	DECAL,DANGER, COLLISION HAZARD.....11, 13, 15, 17, 19, 21, 23, 25, 27, 29, 31, 33	DECAL,LABEL,WHEEL LOAD GR20***.....11, 13, 15, 17, 19, 21, 23, 25, 27, 29, 31, 33
CYLINDER,GS/GR STEER***.....35	DECAL,DANGER,DO NOT ALTER SWTC.....11, 13, 15, 17	DECAL,LABEL-TRANSPORT DIGRAM.....13, 17, 21, 25, 29, 33
CYLINDER,LIFT, 70" STROKE.....89	DECAL,DANGER,ELEC.HAZ SYMB.....19, 21, 23, 25, 27, 29, 31, 33	DECAL,LANYARD ANCHORAGE POINT...11, 13, 15, 17, 19, 21, 23, 25, 27, 29, 31, 33
<b>D</b>		
DANGER-MAX CAP,BIKE RACK-SYM**.....23, 25, 31, 33	D E C A L , D A N G E R , E L E C T HAZARD,PLUG.....11, 13, 15, 17	DECAL,MAX CAPACITY (350LB),GR.....11, 13
DECAL ASSY,EXT,GR12/15,SY,ASIA.....109-110, 113-114	DECAL,DANGER,ELECTROCUTION,GR...11, 13, 15, 17	DECAL,NOTICE,HAZARDOUS MATLS*.....11, 15
DECAL ASSY,EXT,GR12/15,SY,CE.....109-110, 113-114	DECAL,DANGER,MAX CAP ADJ TRAY*....15, 17	DECAL,OVERLAY,PLAT CONTROLS***.....11, 13, 15, 17, 19, 21, 23, 25, 27, 29, 31, 33
DECAL ASSY,EXT,GR12/15,W,AUS.....109-110, 113-114	DECAL,DANGER,MAX CAP BIKE RACK...15, 17	DECAL,POWER TO PLATFORM 115V.....11, 13, 15, 17, 19, 21, 23, 25, 27, 29, 31, 33
DECAL ASSY,EXT,GR12/15,W,USA.....109-110, 113-114	DECAL,DANGER,MAX CAP PARCEL WD.....11, 13, 15, 17	DECAL,SIDE FORCE,100,GR,ANSI.....11, 13, 15, 17
DECAL ASSY,EXT,GR20,SY,ASIA.....109-110, 113-114	DECAL,DANGER,MAX CAP TRAY,WRD....11, 13	DECAL,SIDE FORCE,GR - ANSI,SYM.....19, 21, 23, 25
DECAL ASSY,EXT,GR20,SY,CE.....109-110, 113-114	DECAL,DANGER,NO SMOKING *** .....11, 15, 19, 23, 27, 31	DECAL,SIDE FORCE,GR,CE&AUS,WRD..11, 13, 15, 17
DECAL ASSY,EXT,GR20,W,USA.....109-110, 113-114	DECAL,DANGER,SIDE FORCE CE GR.....27, 29, 31, 33	DECAL,SYM-ELEC HAZARD,PLUG.....21, 25, 29, 33
DECAL ASSY,GR20,W,AUS.....109-110, 113-114	DECAL,DANGER,TIP-OVER,TILT.....11, 13, 15, 17	DECAL,SYM-TIP-OVER,TILT ALARM.....21, 25, 29, 33
DECAL KIT,SAFETY/INSTR,SYM...21, 25, 29, 33	DECAL,DANGR,159 KG CAP,STD PLT.....19, 21, 27, 29	DECAL,SYM-TIPOVER,BATTERIES,GR....21, 25, 29, 33
DECAL KIT,SAFETY/INSTR,WORDS.....13, 17	DECAL,DIRECTIONAL ARROWS,GR.....11, 13, 15, 17, 19, 21, 23, 25, 27, 29, 31, 33	DECAL,SYM-TIPOVER,LIMIT SWITCH.....21, 25, 29, 33
DECAL KIT-SAFETY/INST.,SYMBOLS.....19, 23	DECAL,EMERGENCY STOP,GR....11, 15, 19, 23, 27, 31	DECAL,SYMBOL-BATTERY SAFETY.....19, 21, 23, 25, 27, 29, 31, 33
DECAL KIT-SAFETY/INSTRU,WRDS.....11, 15	DECAL,FORK LIFT POCKET.....11, 13, 15, 17	DECAL,SYMBOL-BRAKE REL SAFETY....19, 21, 23, 25, 27, 29, 31, 33
DECAL KIT-SAFETY/INSTRUC.,WRDS.....11, 15	D E C A L , G E N E R A L SAFETY,RUNABOUT*.....11, 13, 15, 17	DECAL,SYMBOL-COMP ACCESS.....21, 25, 29, 33
DECAL PLATE ASSY,GR12/15,W,AUS.....98	DECAL,GRAY VINYL,RECT SHAPE,CS.....13, 17, 21, 25, 29, 33	DECAL,TIP-OVER,BATTERIES,GR.....11, 13, 15, 17
DECAL PLATE ASSY,GR12/15,W,USA.....98, 101-102	DECAL,GRAY VINYL,RECT SHAPE,HS.....13, 17, 21, 25, 29, 33	DECAL,WARN,IMPROPER OPERATION...11, 13, 15, 17
DECAL PLATE ASSY,GR20,W,AUS.....98	DECAL,GROUND CONTROL PANEL***.....11, 13, 15, 17, 19, 21, 23, 25, 27, 29, 31, 33	DECAL,WARN,SAFETY CHOCK***.....21, 25, 27, 29, 31, 33
DECAL PLATE ASSY,GR20,W,USA.....98, 101-102	DECAL,INSTRUCTIONS-CHARGER OP....11, 13, 15, 17	DECAL,WARNING,FAILURE TO READ.....11, 13, 15, 17
DECAL PLT ASSY,GR12/15,CE SY.....98, 102	DECAL,INSTRUCTIONS-OPER,GCP...11, 13, 15, 17	DECAL,WARNING-COMPART ACCESS...11, 13, 15, 17
DECAL PLT ASSY,GR12/15,SY,ASIA.....98, 101-102	DECAL,LABEL, OM STORAGE.....11, 13, 15, 17	DECAL-DANGER,MAX CAP-159 KG SP....23, 25, 31, 33
DECAL PLT ASSY,GR20,CE SY.....98, 102	D E C A L , L A B E L , E M E R G E N C Y LOWERING.....13, 17	DECAL-DANGER,MAX CAP-159 KG***.....19, 21, 27, 29
DECAL, LABEL - CHEVRON RANDO.....11, 13, 15, 17	DECAL,LABEL,FAULT CODES.....11, 13, 15, 17	DECAL-DANGER,MAX CAP-227 KG SP....23, 25, 31, 33
DECAL, MANUAL LOWERING VALVE.....11, 15	DECAL,LABEL,FORKLIFT POCKET....19, 21, 23, 25, 27, 29, 31, 33	DECAL-DANGER,MAX CAP-227 KG***.....19, 21, 27, 29
DECAL, POWER TO PLATFORM 230V**...11, 13, 15, 17, 19, 21, 23, 25, 27, 29, 31, 33	DECAL,LABEL,LIFTING EYE....11, 13, 15, 17, 19, 21, 23, 25, 27, 29, 31, 33	DECAL-DANGER,MAX CAP-PARCEL SY.....19, 21, 23, 25, 27, 29, 31, 33
DECAL, SYMBOL - READ THE MANUAL...19, 21, 23, 25, 27, 29, 31, 33	DECAL,LABEL,LOWER MIDRAIL...13, 17, 21, 27, 29	DECAL-DANGER,MAX CAP-TRAY,SYM*...19, 21, 27, 29
DECAL,ANNUAL INSP***.....13, 17	DECAL,LABEL,PATENTS.....13, 17	DECAL-NOTICE,MAX CAP 500# SP**.....15, 17
DECAL,BATTERY CONN DIAG,GR.....11, 13, 15, 17	DECAL,LABEL,PWR TO CHARGR 115V....11, 13, 15, 17, 19, 21, 23, 25, 27, 29, 31, 33	DECAL-NOTICE,MAX CAP-350#,SP**.....15, 17
DECAL,COSMETIC,GENIE GR-12***...11, 13, 15, 17, 19, 21, 23, 25, 27, 29, 31, 33	DECAL,LABEL,PWR TO CHARGR 230V....11, 13, 15, 17, 19, 21, 23, 25, 27, 29, 31, 33	DECAL-NOTICE,MAX CAP-350#,STD*.....11, 13
DECAL,COSMETIC,GENIE GR-15***...11, 13, 15, 17, 19, 21, 23, 25, 27, 29, 31, 33	DECAL,LABEL,TIRE SPECS,GR***.....11, 13, 15, 17	DECAL-NOTICE,MAX CAP-500#,STD*.....11, 13
DECAL,COSMETIC,GENIE GR-20***...11, 13, 15, 17, 19, 21, 23, 25, 27, 29, 31, 33	DECAL,LABEL,TRANSPORT TIEDOWN*..11, 13, 15, 17, 19, 21, 23, 25, 27, 29, 31, 33	DIAGNOSTIC FEMALE Q-DSCNT.....91
DECAL,COSMETIC,GENIE RUNABOUT....11, 13, 15, 17, 19, 21, 23, 25, 27, 29, 31, 33	DECAL,LABEL,WHEEL LOAD GR12***.....11, 13, 15, 17, 19, 21, 23, 25, 27, 29, 31, 33	DRAW LATCH,OVER-CENTER***.....98, 102, 109-110, 113-114, 122
DECAL,CRUSH HAZARD,USE SAFETY....13, 17	DECAL,LABEL,WHEEL LOAD GR15***.....11, 13, 15, 17, 19, 21, 23, 25, 27, 29, 31, 33	
DECAL,DANGER,BATTERY SAFETY.....11, 15		
DECAL,DANGER,BATTERY SAFETY***.....13, 17		
DECAL,DANGER,BRAKE REL SAFETY*...11, 13, 15, 17		
<b>E</b>		
		ECU,SLAB/GR GEN 5***.....43, 45

## Part Description Index (continued)

ELBOW,070220-12-10.....95  
 ELBOW,070220-4-4.....95  
 ELBOW,070220-6-6.....95  
 ELBOW,070220-6-8.....95  
 ELBOW,90D,520220,6-10.....95  
 EMBLEM,GENIE,8 IN.....37  
 ENCLOSURE GEN 5.....127  
 EXTRUSION, STKPKR TOP RAIL.....122

**F**

FBG PLAT ASSY W/SYMBOL,NR,ANSI.....125  
 FBG PLAT ASSY W/SYMBOL,NR,CE.....125  
 FBG PLAT ASSY W/SYMBOL,ST,ANSI.....125  
 FBG PLAT ASSY W/SYMBOL,ST,CE.....125  
 FBG PLAT ASSY W/WORD,NR,AUS.....125  
 FBG PLAT ASSY W/WORD,NR,USA.....125  
 FBG PLAT ASSY W/WORD,ST,AUS.....125  
 FBG PLAT ASSY W/WORD,ST,USA.....125  
 FIELD KIT,REAR COVER,GR.....37  
 FILTER ASSY,SAE8,10 MIC,PAPR\*.....47, 49  
 FILTER CAP (PLUG 1-1/2" NPT HEX.....47, 49  
 FILTER ELEMENT,10MICRON,PAPER\*.....47, 49  
 FILTER ELEMENT,BETA(10)=200.....47, 49  
 FITTING,STRAIGHT DRIVE-IN ZERK.....35  
 FLAP, MAST COVER #1.....79  
 FLAP, MAST COVER #2, #4.....79  
 FLAP, MAST COVER #3.....79  
 FLAP, MAST COVER #5,#6.....79  
 FLATBAR, LINK, SWING GATE.....117, 119  
 FORMING, BELLOW BRKT,CE,LH.....87  
 FORMING, CABLE BRIDGE.....41  
 FORMING, CARRIAGE FLAP MOUNT.....79  
 FORMING, COVER SUPPORT.....43  
 FORMING, CWT BRACKET.....41  
 FORMING, DRIVE HOSE GUARD.....35  
 FORMING, DRIVE HOSE SUPPORT.....35  
 FORMING, FOOTRELEASE.....110  
 FORMING, LIMIT SWITCH CARRIER.....131  
 FORMING, LIMIT SWITCH ROLL.....61  
 FORMING, LOADSENSE COVER.....131  
 FORMING, LOWER BELLOW MNT,CE.....87  
 FORMING, PULLEY BRKT.....67, 77  
 FORMING, REC PLUG MOUNT.....109-110, 113-114  
 FORMING, SEQUENCING, CARR, ZN.....69, 77  
 FORMING, SPRING CARRIER.....131  
 FORMING,CABLE BRKT,GR.....83  
 FORMING,DRIVE HOSE GUARD.....35  
 FORMING,FUSE BRACKET.....43, 45  
 FORMING,GR EMBLEM MNTG PLATE.....37  
 FORMING,PLAT CTRL ADPTER,GR.....127  
 FORMING,STOCKPICKER PLAT TOEBD.....122  
 FORMING,T-JUNCTION MOUNT.....97-98  
 FUSE BLOCK, ANN & ANL FUSE.....43, 45  
 FUSE,275 AMP,VERY FAST ACTING.....43, 45  
 FUSE,BATTERY CHARGER\*\*\*.....51

**G**

GAS SPRING, GR.....39  
 GAS STRUT,20LB,13"EXT-9"CLOSED.....107, 117, 119  
 GATE ASSY,LEFT,WORDS.....122  
 GATE ASSY,RT,GR12/15,CE SY.....121-122  
 GATE ASSY,RT,GR12/15,SY,ASIA.....121-122  
 GATE ASSY,RT,GR12/15,W,AUS.....121-122

GATE ASSY,RT,GR12/15,W,USA/CAN.....121-122  
 GATE ASSY,RT,GR20,CE SY.....121-122  
 GATE ASSY,RT,GR20,SY,ASIA.....121-122  
 GATE ASSY,RT,GR20,W,AUS.....121-122  
 GATE ASSY,RT,GR20,W,USA/CAN.....121-122  
 GLIDE BUTTON,SIDE,GLL, 100 TK.....71, 73, 75  
 GR GATED NARROW PLAT,ANSI-CSA.....107  
 GR GATED NRW PLAT, ASIA/S.AMER.....107  
 GR GATED NRW PLAT, AUSTRALIA.....107  
 GR GATED NRW PLATFORM SYM, CE.....107  
 GR GATED PLATFORM, ANSI-CSA.....107  
 GR GATED STD PLAT, ASIA/S.AMER.....107  
 GR GATED STD PLAT, AUSTRALIA.....107  
 GRND CONTROL COVER ASSY,SYMB.....45  
 GRND CONTROL COVER ASSY,WORDS.....45  
 GRND CONTROL PANEL ASSY,GR.....43, 45  
 GROMMET,RUBBER .38X.2X1.75.....35  
 GROMMET,RUBBER 2.5 X 3.0.....37  
 GROMMET,RUBBER,1.0 X 1.25X1.5.....41  
 GROMMET,SLAB HYD TANK\*\*\*.....47, 49  
 GROUND STRAP, 8"LG.....39  
 GUIDE, SLIDER CARRIAGE.....69

**H**

HARNESS, ECU, GR ANSI.....55  
 HARNESS, ECU, GR CE.....55  
 HARNESS,DIODE JUMPER.....43, 45  
 HINGE, SPRING, LONG LEG.....121-122  
 HINGE,11"X 2.5"X.44".....41, 43, 47  
 HINGE,ACCESS DOOR\*\*\*.....43, 45, 49  
 HORN,24VDC,SPADE TERMINALS\*\*\*.....43, 45  
 HOSE, ASSY, BRAKE.....95  
 HOSE, ASSY, LIFT CYL. TO MAN.....95  
 HOSE, ASSY, LT BRAKE.....95  
 HOSE, ASSY, LT DRIVE MOTOR.....95  
 HOSE, ASSY, LT STEER.....95  
 HOSE, ASSY, MAN TO FILTER.....95  
 HOSE, ASSY, MOTOR CROSSOVER.....95  
 HOSE, ASSY, PRESSURE.....95  
 HOSE, ASSY, RT BRAKE.....95  
 HOSE, ASSY, RT DRIVE MOTOR.....95  
 HOSE, ASSY, RT STEER.....95  
 HOSE,ASSY,LC. TO MAN, VENT.....95  
 HOSE,ASSY,LT DRIVE MOTOR.....95  
 HOSE,ASSY,MOTOR CROSSOVER.....95  
 HOSE,ASSY,RT DRIVE MOTOR.....95  
 HOUR METER,10-80 VOLTS\*\*\*.....43, 45  
 HOUSING, LATCH, AWP/IWP/CWP.....107, 117, 119  
 HYD. TANK, POLYETHELENE.....47, 49

**I**

INST.STORAGE BOX ASSYWORDS.....97-98, 101-102  
 INSTRUCTION TUBE,AWP96.....97-98, 101-102  
 INVERTER,24VDC,110/230 VAC\*\*\*.....43, 45

**J**

JOYSTICK HANDLE SET, COMPLETE.....129  
 JOYSTICK,SINGL AXIS,HALL,SLAB\*.....129  
 JOYSTICK,SINGL AXIS,POT,SLAB.....129  
 JUNCTION BOX, 4 OUTLET, DEEP.....97-98, 101-102

**K**

KEEPER, OVER CENTER LATCH TMZ.....98, 102, 109-110, 113-114, 122  
 KEY SINGLE\*\*\*.....43, 45  
 KEY,DRIVE MOTOR(57996).....35, 37  
 KEYS,10 PACK\*\*\*.....43, 45  
 KEYSWITCH,3 POS. W/KEYS\*\*\*.....43, 45  
 KIT, PLATFORM PC RECEIPT/SOC.....129  
 KIT,BATT. CABLE ASSY., GR.....43, 45, 53  
 KIT,BATTERY CHARGER,24V.....51  
 KIT,CONTACTOR,GR.....43, 45  
 KIT,EXT PLAT,ANSI,GR.....97-98, 114  
 KIT,EXT PLAT,CE,GR.....114  
 KIT,GATE LATCH.....122  
 KIT,GEN 5 COIL CORD.....127  
 KIT,GR COVERS AND EMBLEM SYMB.....43, 47  
 KIT,GR COVERS AND EMBLEM WORD.....43, 47  
 KIT,GR PHG REPLACEMENT.....63  
 KIT,JOYSTICK ENABLE SWITCH.....129  
 KIT,JOYSTICK REPAIR (78903H).....129  
 K I T , M T R C N T R L R  
 REPLACEMENT,GR%.....43, 45  
 KIT,SRV,AWP/IWP 2HAND PLATCTRL.....109-110, 113-114  
 KIT,STD PLAT,ANSI,GR.....97-98, 101-102  
 KIT,STD PLAT,CE,GR.....101-102  
 KIT,STEER CYL SEAL.....35  
 KIT,STKPKR PLAT,ANSI,GR.....97-98, 122  
 KIT,STKPKR PLAT,CE,GR.....122  
 KNOB.....107, 117, 119  
 KNOB,HAND PUMP (RED)\*\*\*.....93  
 KNOB,PILOT OP VALVE (BLACK)\*\*\*.....93  
 KNOB,PUSH/PULL,RED.....89

**L**

LABEL,AUXILIARY LOWERING.....19, 21, 23, 25, 27, 29, 31, 33  
 LATCH HANDLE.....122  
 LATCH ROTATOR, GATED PLATFORM.....107, 117, 119  
 LATCH, RUBBER, 3-13/32 X 1-7/8.....43, 45, 47, 49  
 LENS,FLASHING BEACON.....139  
 LEVEL SENSOR,LS60,RED,1.5 DIA.....43, 45  
 LIFTING EYE ASSEMBLY.....57-58, 81, 83  
 LOCK, CONNECTOR.....51

**M**

MANIFOLD,BRAKE RELEASE.....93  
 MANIFOLD,FUNCTION\*\*\*.....91  
 MANUAL,OWNERS,CHARGER,105739.....51  
 MAST STIFFENER ASSY, GR12/15.....57-58  
 MAST STIFFENER ASSY,GR20.....57-58  
 MID RAIL TUBE ASSY W/ DECAL.....105  
 MID-RAIL GUIDE WITH LOOM.....97-98, 101-102, 105  
 MOTOR CONTROLLER, DC,24V,300A.....43, 45  
 MOTOR, 10.0 CU IN/REV DRIVE.....35  
 MOTOR,24DC,ADV.....89  
 M O U N T , L O W E R  
 BELLOW,CE,RUNABOUT.....87

**N**

NIPPLE,DIAGNOSTIC,#4.....91

NUT - PLASTIC,RING FOR ALARMS...43, 45, 127	PLAT ASSY,EXT-GTD,GR12/15,WRDS.....109-110, 113-114	Plat AWP sybl CE, GR.....105
NUT, 1/4-20 T.....65, 67, 79	PLAT ASSY,EXT-GTD,GR20,CESY.....109-110, 113-114	Plat AWP wrd ANSI-CSA, GR.....105
NUT, LP NYLOCK, 3/8-16...39, 41, 58, 61, 63, 65, 69, 87, 97-98, 101-102, 110, 113-114, 122	PLAT ASSY,EXT-GTD,GR20,SYM.....109-110, 113-114	Plat AWP wrd Aust, GR.....105
NUT,CASTLE(57996)GR.....35, 37	PLAT ASSY,EXT-GTD,GR20,W AU.....109-110, 113-114	PLAT CONTROL CIRCT BRD ASSY G5.....127
NUT,HEX,1/4-20.....35	PLAT ASSY,EXT-GTD,GR20,WRDS.....109-110, 113-114	PLATE, BIKE RACK SUPPORT.....137
NUT,HEX,10-32.....39, 57-58, 131	PLAT ASSY,EXT-MID,GR,WORD,AU.....109-110, 113-114	PLATE, BRAKE SPACER, GR20.....37
NUT,HEX,3/8-16.....57-58, 102, 117, 119	PLAT ASSY,EXT-MID,GR12/15,CESY.....109-110, 113-114	PLATE, CABLE AND HOSE CLAMP.....109-110, 113-114
NUT,LOCKING-LG.FLANGE,1/4-20.....43, 45	PLAT ASSY,EXT-MID,GR12/15,SYMB.....109-110, 113-114	PLATE, CYLINDER MOUNT.....57-58
NUT,LOCKING-LG.FLANGE,5/16-18.....41	PLAT ASSY,EXT-MID,GR12/15,W,AU.....109-110, 113-114	PLATE, FLOORING, LG PLAT.....97-98
NUT,LP NYLOCK,1/2-13.....57-58, 71, 73	PLAT ASSY,EXT-MID,GR20,CE SY.....109-110, 113-114	PLATE, FLOORING, OUTERDECK.....110
NUT,LP NYLOCK,1/4-20...43, 45, 47, 49, 109-110, 117, 119, 125	PLAT ASSY,EXT-MID,GR20,WRDS.....109-110, 113-114	PLATE, LIMIT SWITCH ROLL GR.....61
NUT,LP NYLOCK,5/8-11.....57-58	PLAT ASSY,EXT-MID,GR20,SYM.....109-110, 113-114	PLATE, LOADSENSE SUPPORT, SIDE.....45
NUT,NYLOCK,1/2-13.....35, 37, 41, 75	PLAT ASSY,EXT-MID,GR20,SYMB....109-110, 113-114	PLATE, MAST FLAP CLAMP.....57-58, 79
NUT,NYLOCK,1/4-20.....35, 37, 41, 43, 45, 47, 49, 63, 69, 77, 83, 87, 97-98, 101-102, 105, 107, 109-110, 113-114, 117, 119, 121-122, 137	PLAT ASSY,EXT-MID,GR20,WRDS.....109-110, 113-114	PLATE, MAST FLAP CLAMP, 5-6.....65, 67, 79
NUT,NYLOCK,10-32.....43, 45, 139	PLAT ASSY,EXT-MID,GR20,CE SY.....109-110, 113-114	PLATE, POT HOLE LOWER LINK.....39
NUT,NYLOCK,3/8-16.....35, 57-58, 65, 67, 71, 73, 75, 81, 83, 87, 97-98, 101-102, 105, 107, 110, 114, 117, 119, 122, 125, 131, 133, 135, 137	PLAT ASSY,EXT-MID,GR20,SYM.....109-110, 113-114	PLATE, T-JUNCTION MOUNT.....101-102
NUT,NYLOCK,3/8-24.....71, 73, 75	PLAT ASSY,EXT-MID,GR20,WRDS.....109-110, 113-114	PLATE, UPPER BELLOW MNT, CE.....87
NUT,NYLOCK,5/16-18.....131	PLAT ASSY,STD,CE SYM,GR12/15.....97-98, 101-102	PLATE,BATT. TRAY LATCH HANDLE.....41
NUT,NYLOCK,6-32.....43, 45, 47, 49	PLAT ASSY,STD,CE SYM,GR20...97-98, 101-102	PLATE,HINGE.....107
NUT,NYLOCK,8-32.....43, 45	PLAT ASSY,STD,SYM,GR12/15,ASIA.....97-98, 101-102	PLATE,SHIM.....107
NUT,RETAINER (96008).....43, 45	PLAT ASSY,STD,SYM,GR20,ASIA.....97-98, 101-102	PLATE,UK POWER TO PLATFORM.....97-98, 101-102
NUT,SOLENOID VALVE COIL.....89	PLAT ASSY,STD,W,GR12/15,AUS.....97-98, 101-102	PLATE,UK,POWER TO PLAT.....101-102
NUT,WELD 1/4-20, PLATED L.L.**.....57-58, 61, 65, 77, 81, 83, 85, 87	PLAT ASSY,STD,W,GR12/15,US/CA.....97-98, 101-102	PLATFORM AWP GATED STD, GR.....107
NUT,WELD,ANGLE,1/4" T-SLOT.....57-58, 65, 79	PLAT ASSY,STD,W,GR20,AUS.....97-98, 101-102	PLATFORM CONTROL BOX GEN 5.....127
NUT-COIL SHORT.....91	PLAT ASSY,STD,W,GR20,US/CA.....97-98, 101-102	PLATFORM SUPPORT ASSY,ANSI.....101-102
NUT-THIN HEAVY HEX, 1/4-20.....43, 45	PLAT ASSY,STK PKR,GR12/15,CESY.....121-122	PLATFORM SUPPORT ASSY,CE SYM.....131
	PLAT ASSY,STK PKR,GR12/15,SYM.....121-122	PLATFORM WELDMENT,NARROW GATED.....107
	PLAT ASSY,STK PKR,GR12/15,W,AU.....121-122	PLUG AND CAP KIT-SERVICE,ORFS*.....91
	PLAT ASSY,STK PKR,GR20,CE SY.....121-122	PLUG, BLANKING.....109-110, 113-114
	PLAT ASSY,STK PKR,GR20,SYM.....121-122	PLUG,HEX HEAD,090109A-4.....95
	PLAT ASSY,STK PKR,GR20,W,AU.....121-122	PLUG,ORB #6.....109-110, 113-114
	PLAT ASSY,STK PKR,GR20,WRDS.....121-122	POWER CABLE GR BASE,FOREIGN.....55
	PLAT ASSY,STK-PKR,GR12/15,CESY.....121-122	POWER CABLE, GR BASE, DOMESTIC.....55
	PLAT ASSY,STK-PKR,GR12/15,SYM.....121-122	POWER CORD, UK 110, 115".....51
	PLAT ASSY,STK-PKR,GR12/15,W,AU.....121-122	POWER CORD,NOVON, 8".....51
	PLAT ASSY,STK-PKR,GR20,CESY.....121-122	POWER CORD,UK-HIGH VOLTAGE, 8".....51
	PLAT ASSY,STK-PKR,GR20,SYM.....121-122	POWER CORD,US 110, 8".....51
	PLAT ASSY,STK-PKR,GR20,W,AU.....121-122	POWER UNIT COV ASSY W/SYMB DEC.....49
	PLAT ASSY,STK-PKR,GR20,WRDS.....121-122	POWER UNIT TRAY ASSY W/SYMBOLS...47, 49
	PLAT ASSY,STK-PKR,GR12/15,CESY.....121-122	POWER UNTI COV ASSY W/WORD DEC...49
	PLAT ASSY,STK-PKR,GR12/15,SYM.....121-122	PRTY,FLOW CNTRL VALVE,.75 GPM.....91
	PLAT ASSY,STK-PKR,GR12/15,W,AU.....121-122	PULLEY W/BEARINGS.....61, 63, 65
	PLAT ASSY,STK-PKR,GR20,CESY.....121-122	PULLEY,ELEC.CNTRL.CABLE,AWP...57-58, 81, 83, 85
	PLAT ASSY,STK-PKR,GR20,SYM.....121-122	PULLEY,SEQUENCING,NYLATRON.....77
	PLAT ASSY,STK-PKR,GR20,W,AU.....121-122	PULLEY,SMALL CHAIN.....65, 67
	PLAT ASSY,STK-PKR,GR20,WRDS.....121-122	PUMP,4CC GEAR,CCW 228192.....89
	PLAT ASSY,STK-PKR,GR12/15,CESY.....121-122	PUMP,4CC GEAR,CCW***.....89
	PLAT ASSY,STK-PKR,GR12/15,SYM.....121-122	
	PLAT ASSY,STK-PKR,GR12/15,W,AU.....121-122	
	PLAT ASSY,STK-PKR,GR20,CESY.....121-122	
	PLAT ASSY,STK-PKR,GR20,SYM.....121-122	
	PLAT ASSY,STK-PKR,GR20,W,AU.....121-122	
	PLAT ASSY,STK-PKR,GR20,WRDS.....121-122	
	Plat AWP sybl ANSI-CSA, GR.....105	

## O

O-RING KIT (ORFS FITTINGS).....91  
 OPERATING INST,PLAT,GR\*\*\*.....11, 13, 15, 17  
 OUTER DECK ASSY W/DECALS.....110, 114  
 OUTLET, 110V.....97-98, 101-102

## P

PARCEL TRAY ASSY, SYMBOLS.....135  
 PARCEL TRAY ASSY, WORDS.....135  
 PIN,0.75DIA X 5.13LG,CHAMFER.....131  
 PIN,CLEVIS,.375 X 1.75 LG.....39  
 PIN,CLEVIS,.625 X 1.88,ZINC PL.....39  
 PIN,CLEVIS,.75 DIA. X 4.00.....39  
 PIN,CLEVIS,.75 X 2.....35  
 PIN,CLEVIS,0.75 X 3.25".....35  
 PIN,COTTER,.125 X .75.....39, 63  
 PIN,COTTER,.125 X 1.5.....35, 37  
 PIN,GROOVED,.200 X .50\*.....73, 75  
 PIN,GROOVED-.200 X .75\*.....71, 73, 75  
 PIN,PULL.....107, 117, 119  
 PIN,SPRING,.25X.75 ZINC PLATED.....107, 117, 119  
 PLAT ASSY,EXT-GTD,GR12/15,CESY.....109-110, 113-114  
 PLAT ASSY,EXT-GTD,GR12/15,SYM.....109-110, 113-114  
 PLAT ASSY,EXT-GTD,GR12/15,W AU.....109-110, 113-114

## R

RAILING WELDMENT,STD AWP96'.....105  
 RECEPTACLE ANTIBACKOUT,18 CONT...43, 45  
 RECEPTACLE,ANTI-BACKOUT.....43, 45  
 RECEPTACLE,FEMALE 18 CONT.....43, 45  
 RECEPTACLE,FEMALE,36 CONTACT.....43, 45  
 RELAY,24VDC,40/30A,SLD W/BRKT\*.....43, 45  
 RESISTOR, 200 OHM 10 WATT.....43, 45  
 RETAINER,SPRING,1.21 X .375.....131  
 RETAINING PIN ASSY, BIKE RACK.....137  
 RIVET,ALUM,ALUM,.25 X 1.125 AL.....69  
 RIVET,ALUM,ALUM,P,156 X .375.....69, 99  
 RIVET,DRIVE, .25 X .25.....97-98, 109-110, 113-114

## Part Description Index (continued)

- RIVET,STEEL,P .25 X .375.....43, 45, 47, 49, 122  
RIVET,STL,STL,.156 X .50....98, 102, 122, 139  
RIVET,STL,STL,MAN,P,.25 X .25....87, 97-98, 101-102  
ROD END,.250 X 2.75 LG.....131  
ROLLER ARM,LIMIT SWITCH\*\*\*.....39, 57-58  
ROLLER,PLASTIC,AWP96\*\*.....57-58  
ROLLER-NYLATRON, 1.625" O.D.....110, 113-114  
RUE RING,3/4 PIN.....35, 39  
RUE RING,5/8 PIN.....39
- S**
- SCREW, HCC, 3/8-16 X 1.50....57-58, 81, 83, 87  
SCREW, HHC, 1/4-20 X .5.....65, 77, 83, 109-110, 114, 127  
SCREW,BHHS,1/4-20 X .75.....43, 45  
SCREW,BHHS,3/8-16 X 1.....110  
SCREW,FHM,1/4-20X1.75,GR2.....125  
SCREW,FHM,10-32 X 1.....43, 45  
SCREW,FHS,1/4-20 X 2.25.....71, 73, 75  
SCREW,FHS,3/8-16 X .75.....61, 63, 65, 67  
SCREW,FHS,3/8-16 X 2.25.....57-58, 65, 67, 71, 73, 75  
SCREW,HH TAPETITE THRD8-32X.50.....89  
SCREW,HHC,1/2-13 X 1.5.....41  
SCREW,HHC,1/2-13 X 2.5,GR5.....35  
SCREW,HHC,1/2-13 X 7.5.....57-58  
SCREW,HHC,1/4-20 X .375.....57-58, 61, 77  
SCREW,HHC,1/4-20 X .625.....47, 49  
SCREW,HHC,1/4-20 X .75.....47, 49, 69, 77, 87, 98, 102, 114, 122, 137  
SCREW,HHC,1/4-20 X 1.....35, 37, 77, 79, 97-98, 101-102, 105, 107  
SCREW,HHC,1/4-20 X 1.25.....43, 45, 57-58, 65, 81, 83, 85  
SCREW,HHC,1/4-20 X 1.75.....43, 45, 63, 97-98, 101-102, 109-110, 122, 137  
SCREW,HHC,1/4-20 X 2.....105, 107, 117, 119, 121-122  
SCREW,HHC,1/4-20 X 2.25.....117  
SCREW,HHC,1/4-20 X 2.5.....47, 49, 107, 109-110, 113-114, 119, 122  
SCREW,HHC,1/4-20 X 3.....35  
SCREW,HHC,1/4-20 X 3.75.....137  
SCREW,HHC,3/8-16 X .75.....35, 87  
SCREW,HHC,3/8-16 X 1.....47, 49, 57-58, 61, 63, 65, 67, 97-98, 101-102, 105, 107, 114, 137  
SCREW,HHC,3/8-16 X 1.25 GRD 5.....57-58, 97-98, 101-102, 110, 114, 122, 131  
SCREW,HHC,3/8-16 X 1.75,GRD.8.....97-98, 101-102  
SCREW,HHC,3/8-16 X 2.....41, 122, 133, 135  
SCREW,HHC,3/8-16 X 2.25.....125  
SCREW,HHC,3/8-16 X 3.5,GR5.....97-98, 101-102, 105, 133, 135  
SCREW,HHC,3/8-16 X 3.75 GD 5.....131  
SCREW,HHC,3/8-16 X 6.....97-98, 101-102, 133, 135  
SCREW,HHC,3/8-24 X 1 GR 8 YEL.....89  
SCREW,HHC,5/16-18 X 1 GR5.....131  
SCREW,HHC,5/8-11 X 8.00.....57-58  
SCREW,HHTAPTITE THREAD8-32X.38.....89  
SCREW,PHIL,PHM,10-24 X.38,SEMS.....97-98, 101-102  
SCREW,PHILLIPS,PHM,10-32 X .75.....139  
SCREW,PHILLIPS,PHM,10-32 X 1.....131  
SCREW,PHILLIPS,PHM,8-32 X .5.....43, 45  
SCREW,PHILLIPS,PHM,8-32 X.25\*\*.....43, 45  
SCREW,PHILLIPS,RHM,10-32 X 1.5.....39, 57-58  
SCREW,PHM,1/4-20X.5 PHIL.....81  
SCREW,PHP,1/4-20 X .875.....43, 45, 47, 49  
SCREW,RHM,6-32 X .5.....43, 45, 47, 49  
SCREW,SET,HS 10-32 X.25.....107  
SCREW,SET,HS1/4-20X.625W/PATCH.....35  
SCREW,SHC,1/2-13 X 4 ZINC.....37  
SCREW,SHC,1/2-13 X 5.....37  
SCREW,SHC,1/4-20 X .375 BLK.....58, 65, 67, 79, 87  
SCREW,SHC,1/4-20 X .875.....109-110  
SCREW,SHC,1/4-20 X 1.....107  
SCREW,SHS,3/8-16 X .5.....122  
SEAL KIT (84384).....91  
SEAL KIT PWR WHL MOTOR.....35  
SEAL KIT, VALVE.....91  
SEAL KIT,BOSCH PUMP.....89  
SEAL KIT,BOSCH PUMP\*\*\*.....89  
SEAL KIT,DONYANG CYL (35736)\*\*.....89  
SEAL KIT,DONYANG CYL (35737)\*.....89  
SEAL KIT,HAND PUMP\*\*\*.....93  
SEAL KIT,LIFT PUMP,BARNES\*\*.....89  
SEAL KIT,PUMP,PARKER (228192).....89  
SEAL KIT,STEER CYLINDER(96077).....35  
SEAL KIT-FOR P.N.44167.....91  
SEAL KIT-PN.44169,44172,44171.....91  
SHAFT,LIFTING CHAINS,20MM DIA.....61, 63, 65, 67  
SHIM NUT,ADJUSTER.....57-58, 110, 113-114  
SHIM,.375 X .063.....107, 109-110, 113-114, 117, 119  
SHIM,SIDE PAD.....57-58, 61, 110, 113-114  
SLEEVE,TANK SUPPORT.....41, 47, 49  
SLIDE BLOCK, EXT. PLATFORM.....110, 114, 122  
SLIDE BLOCK,CARRIAGE%.....69  
SLIDING MIDRAIL ASSY,NRW.FIBER.....125  
SLIDING MIDRAIL ASSY.STD.FIBER.....125  
SPACER, 1/4ID3/8OD, .875LG.....57-58, 65, 81, 83, 85  
SPACER,.560 AWP MAST.....63, 65  
SPACER,.75ID X 1.5OD X 1/4THK.....39  
SPACER,.82 ID X1.0 ODX1.125 LG.....39  
SPACER,ANSI&AWP,PTD,GR12/15.....105  
SPACER,AWP PLAT,GR12.....105  
SPACER,NYL .25 X .69 X .25.....43, 47  
SPACER,NYLON .257 X .5 X .75".....125  
SPACER,NYLON,.718 X .526 X.219.....122  
SPACER,SHAFT,.310.....63, 65, 67  
SPACER,SHAFT,.840"LG.....63, 65, 67  
SPACER,SHAFT,1.400.....65, 67  
SPACER,TUBE,1/4X3/8X.40" LG.....77  
SPRING CLIP,1/4-20,.025-.15X.54,ZAG.....43, 45, 79, 83  
SPRING CLIP,3/8-16,.05-.20X.73,ZAG.....131  
SPRING, EXTENSION .375 X .20.....110, 114  
SPRING, TENSION CABLE.....77  
SPRING,COMP,1" OD,232 LB/IN.....131  
SPRING,COMPRESSION.....63  
SPRING,COMPRESSION .835 X 2.....122  
SPRING,COMPRESSION.485 X1.75\*\*.....43, 45  
SPRING,CONTROL CABLE, AWP.....41, 81, 85  
SPRING,HAND PUMP ROD.....93
- SPRING-BRUSH,40844, SCISSORS.....89  
SRV KIT,STEER YOKE, GR-20/GRC.....35  
SRV KIT,STEER YOKE,GR/GRC.....35  
STD PLAT RAILING ASSY,CE SY,GR.....97-98, 101-102  
STD PLAT RAILING ASSY,WRDS,GR.....97-98, 101-102  
STEER SWITCH REPAIR KIT\*\*\*.....129  
STROBE,BEACON, AC COMP 12-80V.....139  
STROBE,BEACON,LED 12-80V.....139  
SVC KIT,UK RECEPT.REPLACEMENT.....97-98, 101-102  
SWITCH ASSY,LIMIT,LOAD SENSE.....55  
SWITCH, ROLLER PLUNGER LIMIT.....131  
SWITCH,LIMIT,W/ROLLER ARM\*\*\*.....39, 57-58
- T**
- T-BOX, 2.75 x 4.5 x 2.0.....97-98, 101-102  
TAPE, NON-SKID, DIE CUT, 4" X 16".....125  
TAPE, NON-SKID, DIE CUT, 6" X 2".....97-98, 101-102, 105, 107, 110, 114, 122  
TERM CONTACT,#1/0 GA,SB175.....43, 45  
TIE ROD ASSY W/BRNGS,GR2.....35  
TILT SENSOR TEST TOOL.....43, 45  
TOEBOARD ASSY W/DEC, STD,GR....97-98, 101-102  
TOEBOARD W/DECALS,NARROW.....107  
T O E B O A R D - S T D . W / D E C A L S  
AWP/IWP.....105, 107  
TUBE ASSY, DRAW.....95  
TUBE ASSY,RETURN.....95  
TUBE, BIKE RACK SOCKET.....137  
TUBE, FIXED TOP RAIL, EXT PLAT.....117, 119  
TUBE, PLATFORM SPACER, ANSI.....97-98, 101-102  
TUBE, PLATFORM SPACER, CE.....97-98, 101-102  
TUBE, SLIDING MIDRAIL.....97-98, 101-102  
TUBE,PLATFORM SPACER,ANSI,TALL.....97-98, 101-102  
TURN SWITCH ACTUATOR,JOYSTICK\*\*....129
- U**
- U-BOLT, 3/8-16 X 3 X 2.375.....117, 119  
U-BOLT,3/8 X 1 YZ.....98, 102, 105, 107  
UHMW, LATCH PAD.....122  
UPPER POTHOLE LINK ASSY W/BRNG.....39  
UPPER TRAY ACC,STKPKR REAR,ANS...135  
UPPER TRAY ACC,STKPKR REAR,SYM...135
- V**
- VALVE, DYN. BRAKING, GS30\*\*.....91  
VALVE,CHECK,IWP-S/CWP PWR ASSI.....91  
VALVE,FLOW CONTROL PREAS.COMP.....89  
VALVE,HAND PUMP ASSEMBLY\*\*\*.....93  
VALVE,HYDRAULIC CHECK.....89  
VALVE,PILOT OPERATED ASSEMBLY\*.....93  
VALVE,SOLENOID,3POS 4WAY.....91  
VALVE,W/20V NC SOLENOID,MANUAL.....89  
VALVE-RELIEF, 3700 PSI #8\*\*.....91  
VALVE-SOLENOID, 2POS 4 WAY.....91
- W**
- WASHER,FENDER,.25 X 1.25 X.062.....77  
WASHER,FLAT,.375 X 1.5 X .125.....41

WASHER,FLAT,.650 X 1.312 X.095.....39  
 WASHER,FLAT,502 X 1.747 X.04.....125  
 WASHER,FLAT,M10,ZINC PLTD.....57-58, 65,  
 81, 83, 85  
 WASHER,FLAT,M6 PLTD.....57-58, 65, 81,  
 83, 85  
 WASHER,FLAT,MS,#6,Y.....98, 102, 122  
 WASHER,FLAT,MS,#8,Y.....131  
 WASHER,FLAT,SAE 1/4",ZINC.....39, 87, 97-  
 98, 101-102  
 WASHER,FLAT,USS,1/2",Y.....71, 75  
 WASHER,FLAT,USS,1/4"Y.....35, 47, 49, 63,  
 79, 97-98, 101-102, 125, 127, 131  
 WASHER,FLAT,USS,3/8",Y.....35, 39, 41, 57-  
 58, 61, 63, 65, 67, 69, 73, 110, 114, 125  
 WASHER,FLAT,USS,5/16",Y.....57-58, 65, 67,  
 71, 73, 75, 122  
 WASHER,FLAT,USS,5/8",Y.....114  
 WASHER,LOCK,#10 PLTD.....57-58, 131  
 WASHER,LOCK,.25.....43, 45, 47, 49, 77, 81  
 WASHER,LOCK,.375.....47, 49, 57-58, 61, 63,  
 65, 67, 89, 131  
 WASHER,NITRILE.....43, 45  
 WASHER,RIVETING.....105, 122  
 WASHER,SHIM,.5 X .875 X .063.....58, 63, 65,  
 69, 114  
 WASHER,SHIM,.938 X 1.37 X .048.....61, 63,  
 65  
 WASHER,SHIM,1.50 X .890 X .09.....35, 37  
 WASHER,T-SLOT.....58, 65, 67, 79  
 WASHER,THRUST,GS.....35  
 WEARPAD,EXT PLAT/LATCH PLASTIC.....110  
 WELDMENT, BIKE RACK.....137  
 W E L D M E N T ,                    E N D R A I L  
 MOUNT,STKPKR.....121-122  
 WELDMENT, GATE, LEFT.....122  
 WELDMENT, HYDRAULIC TRAY.....47  
 WELDMENT, INNERDECK PLATFORM...109-  
 110, 113-114  
 WELDMENT, LOAD SENSE CARRIAGE....131  
 WELDMENT, PHG ACTUATOR.....63  
 WELDMENT, PLAT CTRL MOUNT.....127  
 WELDMENT, PLAT SUPPORT EXT.....97-98,  
 131  
 WELDMENT, POTHOLE GUARD, LT.....39  
 WELDMENT, POTHOLE GUARD, RT.....39  
 WELDMENT, RAIL, LH, STKPKR.....122  
 WELDMENT, RAIL, OUTER DECK.....110, 114  
 WELDMENT, RAIL, RH, STKPKR.....122  
 WELDMENT, STEER YOKE, LH, GR.....35  
 WELDMENT, STEER YOKE, LH, GR20.....35  
 WELDMENT, STEER YOKE, RH, GR.....35  
 WELDMENT, STEER YOKE, RT, GR20.....35  
 WELDMENT,                    STOCKPICKER  
 CARRIAGE.....122  
 WELDMENT, STOCKPICKER TRAY.....122  
 WELDMENT, SUB. ELE. TRAY.....43  
 WELDMENT,COVER SUP.CONT.....43, 45  
 WELDMENT,COVER SUP.HYD.....49  
 WELDMENT,FOOT PEDAL,GR.....113-114  
 WELDMENT,GROUND                    CONTROLS  
 TRAY.....45  
 WELDMENT,HYDRAULIC TRAY.....49  
 WELDMENT,INNER PUSH RAIL,LH.....109-  
 110, 113-114  
 WELDMENT,INNER PUSH RAIL,RH.....109-  
 110, 113-114  
 WELDMENT,UPPER TRAY TOP.....135  
 WIRE ASSY, DOWN LIMIT SW.....55  
 WIRE ASSY, STD/EXT PLAT. GR.....55  
 WIRE ASSY, STKPRK PLAT. GR.....55  
 WIRE HARNESS ASSY, CONTROL  
 CABLE.....55  
 WIRE HARNESS ASSY,CONTROL CABL.....55  
 WIRE LOOM,.413" NON-SLIT\*\*\*...97-98, 101-  
 102, 105  
 WLDM,PLAT SPCR W/LNYD,ANSI,TAL.....97-  
 98, 101-102  
 WLDMT,AWP SPACER,GR12.....105  
 WLDMT,CW SUPPORT,LT.....41  
 WLDMT,CW SUPPORT,RT.....41  
 WLDMT,PLAT SPACER W/LNYD, CE.....97-  
 98, 101-102  
 WLDMT,PLAT SPACER W/LNYD,ANSI.....97-  
 98, 101-102  
 WLDMT,SLIDG MID RAIL,EXT PLAT.....117,  
 119  
 WORKSTATION TRAY ASSY,ANSI SY.....133  
 WORKSTATION TRAY ASSY,ANSI WRD....133  
 WORKSTATION TRAY ASSY,CE SY.....133  
 WORSTATION TRAY,ACC,ANSI,SY.....133  
 WORSTATION TRAY,ACC,ANSI,WRD.....133  
 WORSTATION TRAY,ACC,CE SY.....133

## Fitting Cross References

Genie PN	Parker PN	Description	Genie PN	Parker PN	Description
12342	6-4 F5OX-S	CONNECTOR,STRAIGHT THREAD TO FLARE TUBE	42794	1 CR-S	ELBOW,90°,MALE PIPE
13757	4 R6X-S	RUN TEE,SWIVEL NUT,ORFS	42795	BV-0839	BALL VALVE
19685	12-10 C5OX-S	ELBOW,90°,STRAIGHT THREAD TO FLARE TUBE	42796	BV-0838	BALL VALVE
22664	12-10 C5OX	ELBOW,90°,STRAIGHT THREAD TO FLARE TUBE	42874	6-8 CLO-S	ELBOW,90°,MALE PIPE TO ORFS
27431	8-12 F5OX-S	CONNECTOR,STRAIGHT THREAD TO FLARE TUBE	42912	13943-6-4	HOSE END,90° FEMALE SWIVEL,JIC
28678	AS-B-33	SLEEVE,NYLON,1.81" ID	42920	BV-0840	BALL VALVE,90°
39871	6 WETX-WLN-S	UNION,90° BULKHEAD W/NUT,FLARE TUBE	42932	AS-B-17	SLEEVE,NYLON,1.22" ID
39872	4 R5OX-S	RUN TEE,STRAIGHT THREAD	42936	10243-2-4	HOSE END,FEMALE PIPE
39873	6 C5OX-S	ELBOW,90°,STRAIGHT THREAD TO FLARE TUBE	42953	1/2 DD-S	ELBOW,90°,FEMALE PIPE
39874	8-6 C5OX-S	ELBOW,90°,STRAIGHT THREAD TO FLARE TUBE	42956	6 WELO-WLNL-S	UNION,90° BULKHEAD W/NUT,ORFS
39875	4-6 C5OX-S	ELBOW,90°,STRAIGHT THREAD TO FLARE TUBE	45349	8 V5OX-S	ELBOW,45°,STRAIGHT THREAD TO FLARE TUBE
39876	6-8 C5OX-S	ELBOW,90°,STRAIGHT THREAD TO FLARE TUBE	45351	4 V5OX-S	ELBOW,45°,STRAIGHT THREAD TO FLARE TUBE
39877	4 F5OX-S	CONNECTOR,STRAIGHT THREAD TO FLARE TUBE	47223	10343-6-6	HOSE END,MALE,JIC
39878	6 F5OX-S	CONNECTOR,STRAIGHT THREAD TO FLARE TUBE	47419	PS690503-6-6	SWIVEL,90°,STRAIGHT THREAD TO 37° FLARE
39879	4-8 F5OX-S	CONNECTOR,STRAIGHT THREAD TO FLARE TUBE	48750	421-4	HOSE,1/4 INCH ID
39880	6-10 F5OX-S	CONNECTOR,STRAIGHT THREAD TO FLARE TUBE	48751	481TC-4	HOSE,1/4 INCH ID
39881	4-6 F5OX-S	CONNECTOR,STRAIGHT THREAD TO FLARE TUBE	48752	482TC-4	HOSE,1/4 INCH ID
39882	4-HP5ON-S	PLUG,STRAIGHT THREAD	48753	451TC-6	HOSE,3/8 INCH ID
39883	8-8 FTX-S	CONNECTOR,MALE PIPE TO FLARE TUBE	48754	482TC-6	HOSE,3/8 INCH ID
39885	269HB 12-12	ELBOW,90°,BEADED HOSE BARB TO MALE PIPE	48755	381-6	HOSE,3/8 INCH ID
39886	431-6	HOSE,3/8 INCH ID	48756	451TC-8	HOSE,1/2 INCH ID
39887	540N-2	HOSE,1/8 INCH ID	48757	482TC-8	HOSE,1/2 INCH ID
39888	801-8	HOSE,1/2 INCH ID	48758	381-8	HOSE,1/2 INCH ID
39889	801-12	HOSE,3/4 INCH ID	48759	381-10	HOSE,5/8 INCH ID
39890	10643-6-6	HOSE END,FEMALE SWIVEL,JIC	48760	451TC-10	HOSE,5/8 INCH ID
39891	13943-6-6	HOSE END,90° FEMALE SWIVEL,JIC	48761	482TC-12	HOSE,3/4 INCH ID
39892	13743-6-6	HOSE END,45° FEMALE SWIVEL,JIC	48762	451TC-12	HOSE,3/4 INCH ID
39894	30682-8-8	HOSE END,FEMALE SWIVEL,JIC	48763	772-12	HOSE,3/4 INCH ID
39895	30682-10-12	HOSE END,FEMALE SWIVEL,JIC	48764	881-16	HOSE,1 INCH ID
42286	8-8 CTX-S	ELBOW,90°,MALE PIPE TO FLARE TUBE	48765	772-16	HOSE,1 INCH ID
42756	8-12 CLO-S	ELBOW,90,MALE PIPE TO ORFS	48766	AS-B-15	SLEEVE,NYLON,1.06" ID
42757	8-12 FLO-S	CONNECTOR,MALE PIPE TO ORFS	48767	AS-B-22	SLEEVE,NYLON,1.42" ID
42758	4 JLO-S	UNION TEE,ORFS	48770	881-8	HOSE,1/2 INCH ID
42759	4-4 FLO-S	CONNECTOR,MALE PIPE TO ORFS			
42760	6-8 FLO-S	CONNECTOR,MALE PIPE TO ORFS			
42761	1J143-6-4	HOSE END,90° FEMALE SWIVEL,SEAL LOK			
42762	1J743-6-4	HOSE END,45° FEMALE SWIVEL,SEAL LOK			
42768	1JO43-4-4	HOSE END,MALE,SEAL LOK			
42776	601-8	HOSE,1/2 INCH ID			
42777	1J743-16-16	HOSE END,45° FEMALE SWIVEL,SEAL LOK			
42786	16 CLO-S	ELBOW,90°,MALE PIPE TO ORFS			
42787	16 R6LO-S	RUN TEE,SWIVEL NUT,ORFS			
42788	16-8 TRLO-BL-S	REDUCER,TUBE END TO SWIVEL,ORFS			
42789	6-6 CLO-S	ELBOW,90°,MALE PIPE TO ORFS			
42790	8-10 V5OLO-S	ELBOW,45°,STRAIGHT THREAD TO ORFS			
42791	3/4 CD-S	ELBOW,90°,MALE TO FEMALE PIPE			
42792	3/4 X 1/2 PTR-S	REDUCER,MALE TO FEMALE PIPE			
42793	1/2 CR-S	ELBOW,90°,MALE PIPE			

Fitting Cross References (Continued)

Genie PN	Parker PN	Description
48771	881-10	HOSE,5/8 INCH ID
48772	381-4	HOSE,1/4 INCH ID
48773	AS-B-13	SLEEVE,NYLON,.86" ID
48800	1JC43-4-4	HOSE END,FEMALE SWIVEL,SEAL LOK
48801	1J743-4-4	HOSE END,45° FEMALE SWIVEL,SEAL LOK
48802	1J943-4-4	HOSE END,90° FEMALE SWIVEL,SEAL LOK
48804	1JM43-4-4	HOSE END,MALE,SEAL LOK, NO O-RING
48805	10643-4-4	HOSE END,FEMALE SWIVEL,JIC
48806	13943-4-4	HOSE END,90° FEMALE SWIVEL,JIC
48807	1JS43-4-4	HOSE END,FEMALE SWIVEL,SEAL LOK
48808	3JC82-8-8	HOSE END,FEMALE SWIVEL,SEAL LOK
48809	3JC82-12-12	HOSE END,FEMALE SWIVEL,SEAL LOK
48810	1JC43-6-4	HOSE END,FEMALE SWIVEL,SEAL LOK
48811	1J943-6-4	HOSE END,90° FEMALE SWIVEL,SEAL LOK
48812	1JC43-6-6	HOSE END,FEMALE SWIVEL,SEAL LOK
48813	1J143-6-6	HOSE END,90° FEMALE SWIVEL,SEAL LOK
48814	1J543-6-6	HOSE END,90° FEMALE SWIVEL,SEAL LOK
48815	1J743-6-6	HOSE END,45° FEMALE SWIVEL,SEAL LOK
48816	1J943-6-6	HOSE END,90° FEMALE SWIVEL,SEAL LOK
48817	1JS43-6-8	HOSE END,FEMALE SWIVEL,SEAL LOK
48818	1J943-8-4	HOSE END,90° FEMALE SWIVEL,SEAL LOK
48819	1JC43-8-6	HOSE END,FEMALE SWIVEL,SEAL LOK
48820	1J743-8-6	HOSE END,45° FEMALE SWIVEL,SEAL LOK
48821	1J943-8-6	HOSE END,90° FEMALE SWIVEL,SEAL LOK
48822	1JC43-8-8	HOSE END,FEMALE SWIVEL,SEAL LOK
48823	1JS43-8-8	HOSE END,FEMALE SWIVEL,SEAL LOK
48824	1J143-8-8	HOSE END,90° FEMALE SWIVEL,SEAL LOK
48825	1J543-8-8	HOSE END,90° FEMALE SWIVEL,SEAL LOK
48826	1J743-8-8	HOSE END,45° FEMALE SWIVEL,SEAL LOK
48827	1J943-8-8	HOSE END,90° FEMALE SWIVEL,SEAL LOK
48828	1JC43-10-8	HOSE END,FEMALE SWIVEL,SEAL LOK
48829	1JS43-10-8	HOSE END,FEMALE SWIVEL,SEAL LOK
48830	1J743-10-8	HOSE END,45° FEMALE SWIVEL,SEAL LOK
48831	1J943-10-8	HOSE END,90° FEMALE SWIVEL,SEAL LOK
48833	1JC43-10-10	HOSE END,FEMALE SWIVEL,SEAL LOK
48834	1J943-10-10	HOSE END,90° FEMALE SWIVEL,SEAL LOK
48835	1JS43-10-12	HOSE END,FEMALE SWIVEL,SEAL LOK
48836	1JC43-12-8	HOSE END,FEMALE SWIVEL,SEAL LOK
48837	1JS43-12-8	HOSE END,FEMALE SWIVEL,SEAL LOK
48838	1J743-12-8	HOSE END,45° FEMALE SWIVEL,SEAL LOK
48839	1J943-12-8	HOSE END,90° FEMALE SWIVEL,SEAL LOK
48840	1J943-12-10	HOSE END,90° FEMALE SWIVEL,SEAL LOK
48841	1JC43-12-12	HOSE END,FEMALE SWIVEL,SEAL LOK
48842	1JO43-12-12	HOSE END,MALE,SEAL LOK
48843	1J143-12-12	HOSE END,90° FEMALE SWIVEL,SEAL LOK
48844	1J543-12-12	HOSE END,90° FEMALE SWIVEL,SEAL LOK
48845	1J743-12-12	HOSE END,45° FEMALE SWIVEL,SEAL LOK
48846	1J943-12-12	HOSE END,90° FEMALE SWIVEL,SEAL LOK

Genie PN	Parker PN	Description
48847	13943-12-12	HOSE END,90° FEMALE SWIVEL,JIC
48848	10543-12-12	HOSE END,MALE,STRAIGHT THREAD
48849	1JC71-12-12	HOSE END,FEMALE SWIVEL,SEAL LOK
48850	1JS71-12-12	HOSE END,FEMALE SWIVEL,SEAL LOK
48851	1J171-12-12	HOSE END,90° FEMALE SWIVEL,SEAL LOK
48852	1J771-12-12	HOSE END,45° FEMALE SWIVEL,SEAL LOK
48853	1J971-12-12	HOSE END,90° FEMALE SWIVEL,SEAL LOK
48854	1JC43-16-16	HOSE END,FEMALE SWIVEL,SEAL LOK
48855	1J943-16-16	HOSE END,90° FEMALE SWIVEL,SEAL LOK
48856	1J171-16-16	HOSE END,90° FEMALE SWIVEL,SEAL LOK
48857	1J971-16-16	HOSE END,90° FEMALE SWIVEL,SEAL LOK
48859	1JS43-8-4	HOSE END,FEMALE SWIVEL,SEAL LOK
48867	PD36BTL	DIAGNOSTIC NIPPLE,SEAL-LOK SWIVEL
48873	6 PNLO-S	PLUG,TUBE END,ORFS
48874	6 PNTX-S	PLUG,FLARE TUBE
48875	6 R6LO-S	RUN TEE,SWIVEL NUT,ORFS
48877	4 F5OLO-SW/.025	CONNECTOR,STRAIGHT THREAD TO ORFS, W/.025 ORI
48878	16-12 C5OLO-S	ELBOW,90°,STRAIGHT THREAD TO ORFS
48879	8 C6LO-S	ELBOW,90°,SWIVEL NUT ORFS
48880	PD6-285	CAP,DIAGNOSTIC NIPPLE
48881	6 HLO-S	UNION,ORFS
48883	8 P5ON-S	PLUG,STRAIGHT THREAD
48884	8M18F87OMLO-S	CONNECTOR,METRIC,STRAIGHT THREAD TO ORFS
48885	4 WGTX-WLN-S	CONNECTOR,BULKHEAD,FEMALE PIPE TO FLARE TUBE
48886	4 F5OLO-SW/2MM	CONNECTOR,MACHINED STRAIGHT THREAD TO ORFS
48887	4 CTX-S	ELBOW,90°,MALE PIPE TO FLARE TUBE
48888	10-12 V5OLO-S	ELBOW,45°,STRAIGHT THREAD TO ORFS
48890	4 S5OLO-S	BRANCH TEE,STRAIGHT THREAD TO ORFS
48891	4 S6LO-S	BRANCH TEE,SWIVEL NUT TO ORFS



## Fitting Cross References (Continued)

Genie PN	Parker PN	Description	Genie PN	Parker PN	Description
48892	6 C6LO-S	ELBOW,90°,SWIVEL NUT ORFS	48938	8 R6LO-S	RUN TEE,SWIVEL NUT,ORFS
48893	6 F5OHAO-S	UNION,STRAIGHT THREAD	48939	8 S6LO-S	BRANCH TEE,SWIVEL NUT TO ORFS
48894	8 WLO-WLNL-S	UNION,BULKHEAD,ORFS	48940	8 WJLO-WLNL-S	RUN TEE, BULKHEAD,ORFS
48895	DT-370-MSMO-5	VALVE,CHECK	48941	8-4 TRLO-S	REDUCER,TUBE END TO SWIVEL,ORFS
48896	6 JLO-S	UNION,TEE,ORFS	48942	8-6 C5OLO-S	ELBOW,90°,STRAIGHT THREAD TO ORFS
48897	DT-750-MSMS-5	VALVE,CHECK	48943	8-6 F5OLO-S	CONNECTOR,STRAIGHT THREAD TO ORFS
48898	DT-750-MOMS-5	VALVE,CHECK	48944	8-8 FLO-S	CONNECTOR,MALE PIPE TO ORFS
48899	DT-620-MOMS-5	VALVE,CHECK	48945	8 FTX-S	CONNECTOR,MALE PIPE TO FLARE TUBE
48900	4-6 F5OLO-SW/.035	CONNECTOR,STRAIGHT THREAD TO ORFS, W/.035 ORI	48946	8-10 F5OLO-S	CONNECTOR,STRAIGHT THREAD TO ORFS
48902	16-1 AOE4G-S	ELBOW,90° LONG,FEMALE PIPE TO STRAIGHT THREAD	48947	8-12 C5OLO-S	ELBOW,90°,STRAIGHT THREAD TO ORFS
48903	1 FF-S	NIPPLE,PIPE	48948	8-12 F5OLO-S	CONNECTOR,STRAIGHT THREAD TO ORFS
48904	4 C5OLO-S	ELBOW,90°,STRAIGHT THREAD TO ORFS	48949	8-16 F5OLO-S	CONNECTOR,STRAIGHT THREAD TO ORFS
48905	4 F5OLO-S	CONNECTOR,STRAIGHT THREAD TO ORFS	48950	10 C5OLO-S	ELBOW,90°,STRAIGHT THREAD TO ORFS
48906	4 R5OLO-S	RUN TEE,STRAIGHT THREAD	48951	10 CC5OLO-S	ELBOW,90° LONG,STRAIGHT THREAD TO ORFS
48907	4 V5OLO-S	ELBOW,45°,STRAIGHT THREAD TO ORFS	48952	10 F5OLO-S	CONNECTOR,STRAIGHT THREAD TO ORFS
48908	4 R6LO-S	RUN TEE,SWIVEL NUT,ORFS	48953	10 R5OLO-S	RUN TEE,STRAIGHT THREAD
48909	4 WJLO-WLNL-S	RUN TEE, BULKHEAD,ORFS	48954	10 S5OLO-S	BRANCH TEE,STRAIGHT THREAD TO ORFS
48910	4 GTX-S W/.030	CONNECTOR,FEMALE PIPE TO FLARE TUBE	48955	10 R6LO-S	RUN TEE,SWIVEL NUT,ORFS
48911	4-6 C5OLO-S	ELBOW,90°,STRAIGHT THREAD TO ORFS	48956	10-4 TRLO-BL-S	REDUCER,TUBE END TO SWIVEL,ORFS
48912	4-6 F5OLO-S	CONNECTOR,STRAIGHT THREAD TO ORFS	48957	10-6 TRLO-BL-S	REDUCER,TUBE END TO SWIVEL,ORFS
48913	4-6 F5OLO-SW/.030	CONNECTOR,STRAIGHT THREAD TO ORFS, W/.030 ORI	48958	10-12 F5OLO-S	CONNECTOR,STRAIGHT THREAD TO ORFS
48914	4-8 F5OLO-S	CONNECTOR,STRAIGHT THREAD TO ORFS	48959	12 C5OLO-S	ELBOW,90°,STRAIGHT THREAD TO ORFS
48915	6 C5OLO-S	ELBOW,90°,STRAIGHT THREAD TO ORFS	48960	12 F5OLO-S	CONNECTOR,STRAIGHT THREAD TO ORFS
48916	6 F5OLO-S	CONNECTOR,STRAIGHT THREAD TO ORFS	48961	12 R5OLO-S	RUN TEE,STRAIGHT THREAD
48917	6 FF5OLO-S	CONNECTOR,LONG,STRAIGHT THREAD TO ORFS	48962	12 S5OLO-S	BRANCH TEE,STRAIGHT THREAD TO ORFS
48918	6 R5OLO-S	RUN TEE,STRAIGHT THREAD	48963	12 V5OLO-S	ELBOW,45°,STRAIGHT THREAD TO ORFS
48919	6 S5OLO-S	BRANCH TEE,STRAIGHT THREAD TO ORFS	48964	12 R6LO-S	RUN TEE,SWIVEL NUT,ORFS
48920	6 V5OLO-S	ELBOW,45°,STRAIGHT THREAD TO ORFS	48965	12 CLO-S	ELBOW,90°,MALE PIPE TO ORFS
48921	6 FLO-S	CONNECTOR,MALE PIPE TO ORFS	48966	12 FLO-S	CONNECTOR,MALE PIPE TO ORFS
48922	6-6 FLO-S	CONNECTOR,MALE PIPE TO ORFS	48967	12 JLO-S	UNION TEE,ORFS
48923	6 P5ON-S	PLUG,STRAIGHT THREAD	48968	12 WLO-WLNL-S	UNION,BULKHEAD,ORFS
48925	6 WELO-S	UNION,90° BULKHEAD,ORFS	48969	12 WJLO-WLNL-S	RUN TEE, BULKHEAD,ORFS
48926	6-4 C5OLO-S	ELBOW,90°,STRAIGHT THREAD TO ORFS	48970	12 WELO-WLNL-S	UNION,90° BULKHEAD W/NUT,ORFS
48927	6-4 F5OLO-S	CONNECTOR,STRAIGHT THREAD TO ORFS			
48928	6-4 V5OLO-S	ELBOW,45°,STRAIGHT THREAD TO ORFS			
48929	6-8 C5OLO-S	ELBOW,90°,STRAIGHT THREAD TO ORFS			
48930	6-8 F5OLO-S	CONNECTOR,STRAIGHT THREAD TO ORFS			
48931	6-10 F5OLO-S	CONNECTOR,STRAIGHT THREAD TO ORFS			
48932	8 C5OLO-S	ELBOW,90°,STRAIGHT THREAD TO ORFS			
48933	8 F5OLO-S	CONNECTOR,STRAIGHT THREAD TO ORFS			
48934	8 FF5OLO-S	CONNECTOR,LONG,STRAIGHT THREAD TO ORFS			
48935	8 R5OLO-S	RUN TEE,STRAIGHT THREAD			
48936	8 S5OLO-S	BRANCH TEE,STRAIGHT THREAD TO ORFS			
48937	8 V5OLO-S	ELBOW,45°,STRAIGHT THREAD TO ORFS			

## Fitting Cross References (Continued)

Genie PN	Parker PN	Description	Genie PN	Parker PN	Description
48971	12 G5G5JG5-S	TEE,FEMALE STRAIGHT THREAD	49612	PKT02586	O-RING KIT (ORFS FITTINGS)
48972	12 XHL6-S	ADAPTER, 37° MALE TO SWIVEL ORFS	49613	PKT06276	PLUG AND CAP KIT-SERVICE,ORFS
48973	12-1/2 F5OG-S	ADAPTER,FEMALE PIPE TO STRAIGHT THREAD	49728	10143-12-12	HOSE END, MALE PIPE
48974	12-10 C5OLO-S	ELBOW,90°,STRAIGHT THREAD TO ORFS	49729	16-1 F5OG-S	ADAPTER,FEMALE PIPE TO STRAIGHT THREAD
48975	12-10 F5OLO-S	CONNECTOR,STRAIGHT THREAD TO ORFS	49814	12-8 FLO-S	CONNECTOR,MALE PIPE TO ORFS
48976	12-16 C5OLO-S	ELBOW,90°,STRAIGHT THREAD TO ORFS	49829	DT-500-MOMF-5	VALVE,CHECK
48977	12-16 F5OLO-S	CONNECTOR,STRAIGHT THREAD TO ORFS	49831	881-12	HOSE,3/4 INCH ID
48978	12-16 V5OLO-S	ELBOW,45°,STRAIGHT THREAD TO ORFS	49834	16 JLO-S	UNION TEE,ORFS
48980	12-16 FLO-S	CONNECTOR,MALE PIPE TO ORFS	49838	12-8 TRLO-BL-S	REDUCER,TUBE END TO SWIVEL,ORFS
48983	16 C5OLO-S	ELBOW,90°,STRAIGHT THREAD TO ORFS	49840	8 JLO-S	UNION TEE,ORFS
48984	16 F5OLO-S	CONNECTOR,STRAIGHT THREAD TO ORFS	49844	10-8 TRLO-BL-S	REDUCER,TUBE END TO SWIVEL,ORFS
48985	16 V5OLO-S	ELBOW,45°,STRAIGHT THREAD TO ORFS	49854	8 P5ON-S	PLUG,STRAIGHT THREAD
48986	16 FLO-S	CONNECTOR,MALE PIPE TO ORFS	49855	1JC43-16-12	HOSE END,FEMALE SWIVEL,SEAL LOK
48988	16 CD45-S	ELBOW,45°,MALE TO FEMALE PIPE	49859	4 P5ON-S	PLUG,STRAIGHT THREAD
48989	12 CD45-S	ELBOW,45°,MALE TO FEMALE PIPE	49861	4 FF5OLO-S	CONNECTOR,LONG,STRAIGHT THREAD TO ORFS
48990	8 CD45-S	ELBOW,45°,MALE TO FEMALE PIPE	49867	12-3/4 F5OG-S	ADAPTER,FEMALE PIPE TO STRAIGHT THREAD
48991	16-12 FLO-S	CONNECTOR,MALE PIPE TO ORFS	51152	6 R6X-S	RUN TEE,SWIVEL NUT,ORFS
48992	16-12 V5OLO-S	ELBOW,45°,STRAIGHT THREAD TO ORFS	51153	6-4 TRTX-S	REDUCER,TUBE END TO SWIVEL,ORFS
48993	XV501-12	BALL VALVE	51154	4-4 GTX	CONNECTOR,FEMALE PIPE TO FLARE TUBE
48994	XV501-16	BALL VALVE	51264	881-12	HOSE,3/4 INCH ID
48995	XV510P-12	BALL VALVE	51265	8 JLO-S	UNION TEE,ORFS
48996	XV510P-16	BALL VALVE	51508	6 BTX-S	NUT,FLARE TUBE
48997	PD341	DIAGNOSTIC NIPPLE, STRAIGHT THREAD	51580	12-8 TRLO-BL-S	TUBE END REDUCER,ORFS
48998	PD 361	DIAGNOSTIC NIPPLE, STRAIGHT THREAD	51628	6 R6X-S	RUN TEE,SWIVEL NUT,ORFS
48999	DT-500-MOMS-5	VALVE,CHECK	51735	3/8 HHP	PLUG,PIPE THREAD
49201	10 V5OLO-S	ELBOW,45°,STRAIGHT THREAD TO ORFS	51803	1J943-6-8	HOSE END,90° FEMALE SWIVEL,SEAL LOK
49202	1JC43-12-10	HOSE END,FEMALE SWIVEL,SEAL LOK	53023	125HBL-5-4	FITTING,HOSE BARB TO MALE PIPE
49203	10-8 V5OLO-S	ELBOW,45°,STRAIGHT THREAD TO ORFS	53497	PKT02585	O-RING KIT
49205	6 F5OHAO-S	UNION,STRAIGHT THREAD	53499	1JC71-16-16	HOSE END,FEMALE SWIVEL,SEAL LOK
49207	PD34BTL	DIAGNOSTIC NIPPLE,SEAL-LOK SWIVEL	53500	3-904	O-RING,STRAIGHT THREAD,-4
49209	8M18F870MX-S	CONNECTOR,METRIC,STRAIGHT THREAD TO FLARE TUBE	53501	3-906	O-RING,STRAIGHT THREAD,-6
49212	8 WGTX-WLN-S	CONNECTOR,BULKHEAD,FEMALE PIPE TO FLARE TUBE	53502	3-908	O-RING,STRAIGHT THREAD,-8
49213	30682-8-8	HOSE END,FEMALE SWIVEL,JIC	53503	3-910	O-RING,STRAIGHT THREAD,-10
49216	831-8	HOSE,1/2 INCH ID			
49217	33982-8-8	HOSE END,90° FEMALE SWIVEL,JIC			
49219	PS-B-35	SLEEVE,NYLON,2.19" ID			
49418	4-6 V5OLO-S	ELBOW,45°,STRAIGHT THREAD TO ORFS			
49511	DT370-MOMS-5	VALVE,CHECK			
49512	1 DD-S	ELBOW,90°,FEMALE PIPE			
49513	1 FF-S	NIPPLE,PIPE			
49514	10 HP5ON-S	PLUG,STRAIGHT THREAD			
49515	12-16 CLO-S	ELBOW,90°,MALE PIPE TO ORFS			
49517	6 HP5ON-S	PLUG,STRAIGHT THREAD			
49519	16-12 F5OLO-S	CONNECTOR,STRAIGHT THREAD TO ORFS			
49520	4 VTX-S	ELBOW,45°,MALE PIPE TO FLARE TUBE			
49530	16 C6LO-S	ELBOW,90°,SWIVEL NUT ORFS			

## Fitting Cross References (Continued)

Genie PN	Parker PN	Description	Genie PN	Parker PN	Description
53535	3-912	O-RING,STRAIGHT THREAD,-12	61083	24 F5OLO-S	CONNECTOR,STRAIGHT THREAD TO ORFS
53536	4-PNLO-S	PLUG,TUBE END,ORFS	61086	20 R5OLO-S	RUN TEE,STRAIGHT THREAD
53537	6 PNLO-S	PLUG,TUBE END,ORFS	61090	24-20 F5OLO-S	CONNECTOR,STRAIGHT THREAD TO ORFS
53538	8 PNLO-S	PLUG,TUBE END,ORFS	61091	1J943 24-24	HOSE END,90° FEMALE SWIVEL,SEAL LOK
53539	10 PNLO-S	PLUG,TUBE END,ORFS	61093	1J978-12-12	HOSE END,90° FEMALE SWIVEL,JIC
53540	12 PNLO-S	PLUG,TUBE END,ORFS	61095	1JS43-20-16	HOSE END,FEMALE SWIVEL,SEAL LOK
53946	129HB-5-4	FITTING,90° HOSE BARB TO MALE PIPE	61100	811-24	HOSE,11/2 INCH ID
53951	8-1/4F50G-S	ADAPTER,FEMALE PIPE TO STRAIGHT THREAD	61130	1JS43-24-24	HOSE END,FEMALE SWIVEL,SEAL LOK
53980	6 S6LO-S	BRANCH TEE,SWIVEL NUT TO ORFS	61131	1JS78 12-12	HOSE END,FEMALE SWIVEL,SEAL LOK
54132	4 C6LO-S	ELBOW,90°,SWIVEL NUT ORFS	61132	1J778-12-12	HOSE END,45° FEMALE SWIVEL,JIC
54135	11343-16-16	HOSE END,MALE SWIVEL,PIPE	61152	139HB-6-4	ELBOW,45°,BARB TO MALE PIPE
54283	8-10 C5OLO-S	ELBOW,90°,STRAIGHT THREAD TO ORFS	61251	BV-0750	BALL VALVE
54428	8M18C870MLO-S	ELBOW, 90° METRIC, STRAIGHT THREAD TO ORFS	61259	4 CC5OLO-S	ELBOW,90° LONG,STRAIGHT THREAD TO ORFS
54803	FS-F-16-10	SLEEVE,FIRE,-96" ID	61260	20-12 TRLO-BL	REDUCER,TUBE END TO SWIVEL,ORFS
54954	10143-2-4	HOSE END, MALE PIPE	61262	12 C6LO-S	ELBOW,90°,SWIVEL NUT ORFS
55190	3/8 HP-S	PLUG,PIPE THREAD	61263	20 F5OHAO-S	UNION,STRAIGHT THREAD
55448	8 HLO-S	UNION,ORFS	61264	6-10 C5OLO-S	ELBOW,90°,STRAIGHT THREAD TO ORFS
55839	6 F65OX-S	CONNECTOR,STRAIGHT THREAD TO 37° SWIVEL	61265	6 WNLO-WLNL-S	UNION,BULKHEAD 45°,ORFS
55968	10 C5OX-S	ELBOW,90°,STRAIGHT THREAD TO FLARE TUBE	61268	4 WNLO-WLNL-S	UNION,BULKHEAD 45°,ORFS
56003	6 CC5OLO-S	ELBOW,90° LONG,STRAIGHT THREAD TO ORFS	61269	4 WLO-WLNL-S	UNION,BULKHEAD,ORFS
56166	BV-0837	BALL VALVE,90°	61272	12 AOEL6	ELBOW,90°,STRAIGHT THREAD TO ORFS SWIVEL
56188	10143-8-6	HOSE END, MALE PIPE	61316	482TC-16	HOSE,1 INCH ID
56233	2-011	O-RING,ORFS,-4	61321	6 JLO-S	UNION TEE,ORFS
56234	2-012	O-RING,ORFS,-6	61327	782-12	HOSE,3/4 INCH ID
56235	2-014	O-RING,ORFS,-8	61328	881-24	HOSE,11/2 INCH ID
56236	2-016	O-RING,ORFS,-10	61336	11943-20-24	HOSE END,90° FLANGE HEAD
56237	2-018	O-RING,ORFS,-12	61345	12 WJLO-WLNL-S	RUN TEE, BULKHEAD,ORFS
56238	2-021	O-RING,ORFS,-16	61346	8 WNLO-WLNL-S 4	UNION,BULKHEAD 45°,ORFS
56352	6 WLNL-S	LOCKNUT,BULKHEAD	61569	33782-8-8	HOSE END,45° FEMALE SWIVEL,JIC
56353	3J782-12-12	HOSE END,45° FEMALE SWIVEL,SEAL LOK	61610	12 FF5OLO-S	CONNECTOR,LONG,STRAIGHT THREAD TO ORFS
56354	3J982-12-12	HOSE END,90° FEMALE SWIVEL,SEAL LOK	61742	1/8 X 1.5 FFF	NIPPLE,PIPE
56604	10-8 F5OLO-S	CONNECTOR,STRAIGHT THREAD TO ORFS	63426	8 PNTX-S	PLUG,FLARE TUBE
56639	3JC82-10-10	HOSE END,FEMALE SWIVEL,SEAL LOK			
56640	3J982-10-10	HOSE END,90° FEMALE SWIVEL,SEAL LOK			
56655	3JC82-8-10	HOSE END,FEMALE SWIVEL,SEAL LOK			
56676	10-8 C5OLO-S	ELBOW,90°,STRAIGHT THREAD TO ORFS			
56776	471TC-6	HOSE,3/8 INCH ID			
56777	471TC-8	HOSE,1/2 INCH ID			
56789	811-16	HOSE,1 INCH ID			
57884	3/8 FF	NIPPLE,PIPE			
59335	6 FNL-S	CAP, TUBE END			
59342	4 FNL-S	CAP, TUBE END			
59371	8 HP5ON-S	PLUG,STRAIGHT THREAD			
60653	BV-0751	BALL VALVE			
60806	125HB-3-4	FITTING,HOSE BARB TO MALE PIPE			
61064	5-1/4 F50G-S	ADAPTER,FEMALE PIPE TO STRAIGHT THREAD			
61079	4 WELO-WLNL-S	UNION,90° BULKHEAD W/NUT,ORFS			
61080	6 WLO-WLNL-S	UNION,BULKHEAD,ORFS			

## Fitting Cross References (Continued)

Genie PN	Parker PN	Description	Genie PN	Parker PN	Description
64271	4 WLO-WLNL-S	UNION,BULKHEAD,ORFS	75631	801-6	HOSE,3/8 INCH ID
64272	6 WLO-WLNL-S	UNION,BULKHEAD,ORFS	75654	20 F5OLO-S	CONNECTOR,STRAIGHT THREAD TO ORFS
65776	8 F65OL-S	CONNECTOR,STRAIGHT THREAD TO ORFS SWIVEL	75655	1J943-20-20	HOSE END,90° FEMALE SWIVEL,SEAL LOK
65880	6001012	O-RING KIT	75656	881-20	HOSE,1-1/4 INCH ID
66154	6 WTX-WLNS	UNION,BULKHEAD,FLARE TUBE	75971	8 F5OHAO-S	UNION,STRAIGHT THREAD
66155	6 WETX-S	UNION,BULKHEAD 90°,FLARE TUBE	77307	1JB43-8-8	HOSE END,BULKHEAD,SEAL LOK
66156	6 WLN-S	BULKHEAD LOCKNUT	77309	8 WLNL-S	BULKHEAD LOCKNUT
66389	6-8 F5OX-S	CONNECTOR,STRAIGHT THREAD TO FLARE TUBE	77379	8M18C87OMX-S	ELBOW,90° METRIC,STRAIGHT THREAD TO FLARE TUBE
66392	6 R5OX-S	RUN TEE,STRAIGHT THREAD	77703	3J982-8-8	HOSE END,90° FEMALE SWIVEL,SEAL LOK
66396	811-12	HOSE,3/4 INCH ID	77711	801-10	HOSE,5/8 INCH ID
66829	H3174PP	CLAMP,TUBE	77758	12 WNLO-WLNL-S	UNION,BULKHEAD 45°,ORFS
67217	4 KLO-S	UNION,CROSS,ORFS	78091	6 C6X-S	ELBOW,90°,SWIVEL NUT TO FLARE TUBE
67339	10-6 F5OX-S	CONNECTOR,STRAIGHT THREAD TO FLARE TUBE	78684	30582-8-8B	HOSE END,PUSH LOK,MALE
67357	13943-8-6	HOSE END,90° FEMALE SWIVEL,JIC	78852	549-2	HOSE,1/8 INCH ID
67358	10 HP5ON-S	PLUG,STRAIGHT THREAD	78855	10657-4-2	HOSE END,FEMALE SWIVEL,JIC
67371	12 S6LO-S	BRANCH TEE,SWIVEL NUT TO ORFS	79138	PS-B-37	SLEEVE,NYLON,2.38" ID
67498	4 FNL-S	CAP, TUBE END	79476	1JS43-6-8	HOSE END,FEMALE SWIVEL,SEAL LOK
67906	DC-370-F0F0-5	VALVE,CHECK	79847	12-3/4 A0EG-S	ELBOW,90°,STRAIGHT THREAD TO FEMALE PIPE
69316	8 FLO-S	CONNECTOR,MALE PIPE TO ORFS	80044	8 CLO-S	ELBOW,90°,MALE PIPE TO ORFS
69333	H3174PP	CLAMP,HYDRAULIC HOSE	80502	8 F5OX-S	CONNECTOR,STRAIGHT THREAD TO FLARE TUBE
69503	4 F65OX-S	CONNECTOR,STRAIGHT THREAD TO 37° SWIVEL	80503	8 C5OX-S	ELBOW,90°,STRAIGHT THREAD TO FLARE TUBE
69775	8 FNL-S	CAP, TUBE END	81010	AS-B-27	SLEEVE,NYLON,1.63" ID
71038	1/4X1/4F3HG-S	ADAPTER,CONVERSION	83052	821-6	HOSE,3/8 INCH ID
71196	12-8 F5OLO-S	CONNECTOR,STRAIGHT THREAD TO ORFS	83053	821-8	HOSE,1/2 INCH ID
71383	1/4 CD45-S	ELBOW,45°,MALE TO FEMALE PIPE	83054	821-12	HOSE,3/4 INCH ID
72270	12FNL-S	CAP, TUBE END	83055	30682-6-6	HOSE END,FEMALE SWIVEL,JIC
73436	60C-4	SLEEVE,COMPRESSION	83056	30682-12-12	HOSE END,FEMALE SWIVEL,JIC
73437	61C-4	NUT,COMPRESSION	83057	33782-6-6	HOSE END,45° FEMALE SWIVEL,JIC
73438	33482-4-4B	HOSE END,PUSH LOK,MALE	83058	33982-6-6	HOSE END,90° FEMALE SWIVEL,JIC
73767	1CD-S	ELBOW,90°,MALE TO FEMALE PIPE	83060	33982-12-12	HOSE END,90° FEMALE SWIVEL,JIC
73768	20-16-F5OG5-S	ADAPTER,FEMALE PIPE TO STRAIGHT THREAD	83063	13743-4-4	HOSE END,45° FEMALE SWIVEL,JIC
73769	16-20 F5OLO-S	CONNECTOR,STRAIGHT THREAD TO ORFS			
74660	6-8 F42EDMLO-S	CONNECTOR,MALE BSPP TO ORFS			
74661	8-8 F42EDMLO-S	CONNECTOR,MALE BSPP TO ORFS			
75007	4 FLO-S	CONNECTOR,MALE PIPE TO ORFS			
75008	1/8 HP-S	PLUG,PIPE THREAD			
75014	1/2 HP-S	PLUG,PIPE THREAD			
75042	8 WELO-WLNL-S	UNION,90° BULKHEAD W/NUT,ORFS			
75043	3/4 FF-S	NIPPLE,PIPE			
75254	24 F5OHAO-S	UNION,STRAIGHT THREAD			
75255	12 F5OHAO-S	UNION,STRAIGHT THREAD			
75256	XV506P-24	BALL VALVE			
75574	4 WLNL-S	BULKHEAD LOCKNUT			
75612	8 WJLO-WLNL-S	RUN TEE, BULKHEAD,ORFS			
75613	12-8 F5OG5-S	ADAPTER,FEMALE PIPE TO STRAIGHT THREAD			
75614	8 CC5OLO-S	ELBOW,90° LONG,STRAIGHT THREAD TO ORFS			
75628	1JB43-4-4	HOSE END,BULKHEAD,SEAL LOK			

## Fitting Cross References (Continued)

Genie PN	Parker PN	Description	Genie PN	Parker PN	Description
83064	13743-8-8	HOSE END,45° FEMALE SWIVEL,JIC	89449	6 WJLO-WLNL-S	RUN TEE, BULKHEAD,ORFS
83065	13743-12-12	HOSE END,45° FEMALE SWIVEL,JIC	89489	4 WJMLO-S	BRANCH TEE,BULKHEAD,ORFS
83066	13943-8-8	HOSE END,90° FEMALE SWIVEL,JIC	89551	1JB43-6-6	HOSE END,BULKHEAD,SEAL LOK
83067	14143-6-6	HOSE END,90° FEMALE SWIVEL,JIC	89552	1JB43-8-8	HOSE END,BULKHEAD,SEAL LOK
83068	14143-8-8	HOSE END,90° FEMALE SWIVEL,JIC	89593	20 C5OLO-S	ELBOW,90°,STRAIGHT THREAD TO ORFS
83069	14143-12-12	HOSE END,90° FEMALE SWIVEL,JIC	94161	8-8 CLO-S	ELBOW,90°,MALE PIPE TO ORFS
83070	772-8	HOSE,1/2 INCH ID	94358	351TC-12	HOSE,3/4 INCH ID
83071	10671-8-8	HOSE END,FEMALE SWIVEL,JIC	94418	20 FLO-S	CONNECTOR,MALE PIPE TO ORFS
83072	10671-12-12	HOSE END,FEMALE SWIVEL,JIC	96358	12 TX-S	SLEEVE,FLARE TUBE
83073	13771-8-8	HOSE END,45° FEMALE SWIVEL,JIC	96359	12 BTX-S	NUT,FLARE TUBE
83074	13771-12-12	HOSE END,45° FEMALE SWIVEL,JIC	96397	8 F5OX-S	CONNECTOR,STRAIGHT THREAD TO FLARE TUBE
83075	13971-8-8	HOSE END,90° FEMALE SWIVEL,JIC	96398	12-8 F5OX-S	CONNECTOR,STRAIGHT THREAD TO FLARE TUBE
83076	13971-12-12	HOSE END,90° FEMALE SWIVEL,JIC	96402	10343-6-6	HOSE END,MALE,JIC
83077	14171-8-8	HOSE END,90° FEMALE SWIVEL,JIC	96407	30382-6-6B	HOSE END,MALE,JIC
83078	14171-12-12	HOSE END,90° FEMALE SWIVEL,JIC			
83080	13943-16-16	HOSE END,90° FEMALE SWIVEL,JIC			
83103	10671-16-12	HOSE END,FEMALE SWIVEL,JIC			
83104	10671-10-12	HOSE END,FEMALE SWIVEL,JIC			
83112	1JC71-8-8	HOSE END,FEMALE SWIVEL,SEAL LOK			
83113	1JS71-16-12	HOSE END,FEMALE SWIVEL,SEAL LOK			
83114	1JS71-10-12	HOSE END,FEMALE SWIVEL,SEAL LOK			
83115	1J971-8-8	HOSE END,90° FEMALE SWIVEL,SEAL LOK			
83116	1J171-8-8	HOSE END,90° FEMALE SWIVEL,SEAL LOK			
83117	1J771-8-8	HOSE END,45° FEMALE SWIVEL,SEAL LOK			
83127	1J543-6-8	HOSE END,90° FEMALE SWIVEL,JIC			
83128	1JC43-6-8	HOSE END,FEMALE SWIVEL,SEAL LOK			
87033	12-6 TRLO-S	REDUCER,TUBE END TO SWIVEL,ORFS			
87034	3J782-8-8	HOSE END,45° FEMALE SWIVEL,SEAL LOK			
87172	12 HP5ON-S	PLUG,STRAIGHT THREAD			
87185	8 WNLO-WLNL-S	UNION,BULKHEAD 45°,ORFS			
87246	4 C6X-S	ELBOW,90°,SWIVEL NUT TO FLARE TUBE			
87679	6 LHP-S	FLANGE SEAL FITTING, MALE			
87681	6PLS N0702	BONDED SEAL			
88100	SR88100	ADAPTER,OIL DRAIN,GM 3.0L			
88311	1JS43-20-20	HOSE END,FEMALE SWIVEL,SEAL LOK			
88353	20 V5OLO-S	ELBOW,45°,STRAIGHT THREAD TO ORFS			
88474	10081-20	Crimp Shell, 1.25"			
88475	1988-20-24	HOSE END,90° FLANGE HEAD			
88476	JS88-24-24	HOSE END,FEMALE SWIVEL,SEAL LOK			
88477	1JC88-20-20	HOSE END,FEMALE SWIVEL,SEAL LOK			
88478	811-20	HOSE,11/4 INCH ID			
88936	20-16 F5OLO-S	CONNECTOR,STRAIGHT THREAD TO ORFS			
88937	20-16 FLO-S	CONNECTOR,MALE PIPE TO ORFS			
88938	1JC88-16-16	HOSE END,FEMALE SWIVEL,SEAL LOK			
88939	1J988-16-16	HOSE END,90° FEMALE SWIVEL,ORFS			
88940	811-16	HOSE,1 INCH ID			
88944	1J988-20-20	HOSE END,90° FEMALE SWIVEL,ORFS			
89403	16 VLO-S	ELBOW,45°,MALE PIPE TO ORFS			

California Proposition 65



**WARNING**

Operating, servicing and maintaining this equipment can expose you to chemicals including engine exhaust, carbon monoxide, phthalates, and lead, which are known to the State of California to cause cancer and birth defects or other reproductive harm. These chemicals can be emitted from or contained in other various parts and systems, fluids and some component wear by-products. To minimize exposure, avoid breathing exhaust, do not idle the engine except as necessary, service your equipment and vehicle in a well-ventilated area and wear gloves or wash your hands frequently when servicing your equipment or vehicle and after operation. For more information go to [www.P65Warnings.ca.gov/passenger-vehicle](http://www.P65Warnings.ca.gov/passenger-vehicle).

Breathing diesel engine exhaust exposes you to chemicals known to the State of California to cause cancer and birth defects or other reproductive harm.

- Always start and operate the engine in a well-ventilated area.
- If in an enclosed area, vent the exhaust to the outside.
- Do not modify or tamper with the exhaust system.
- Do not idle the engine except as necessary.

For more information go to [www.P65warnings.ca.gov/diesel](http://www.P65warnings.ca.gov/diesel).

# Parts Manual

GR-12, GR-15, GR-20

*from GR05-5001 to 19999*

Part No.  
84701

Rev D44

**Genie**  
A TEREX BRAND